

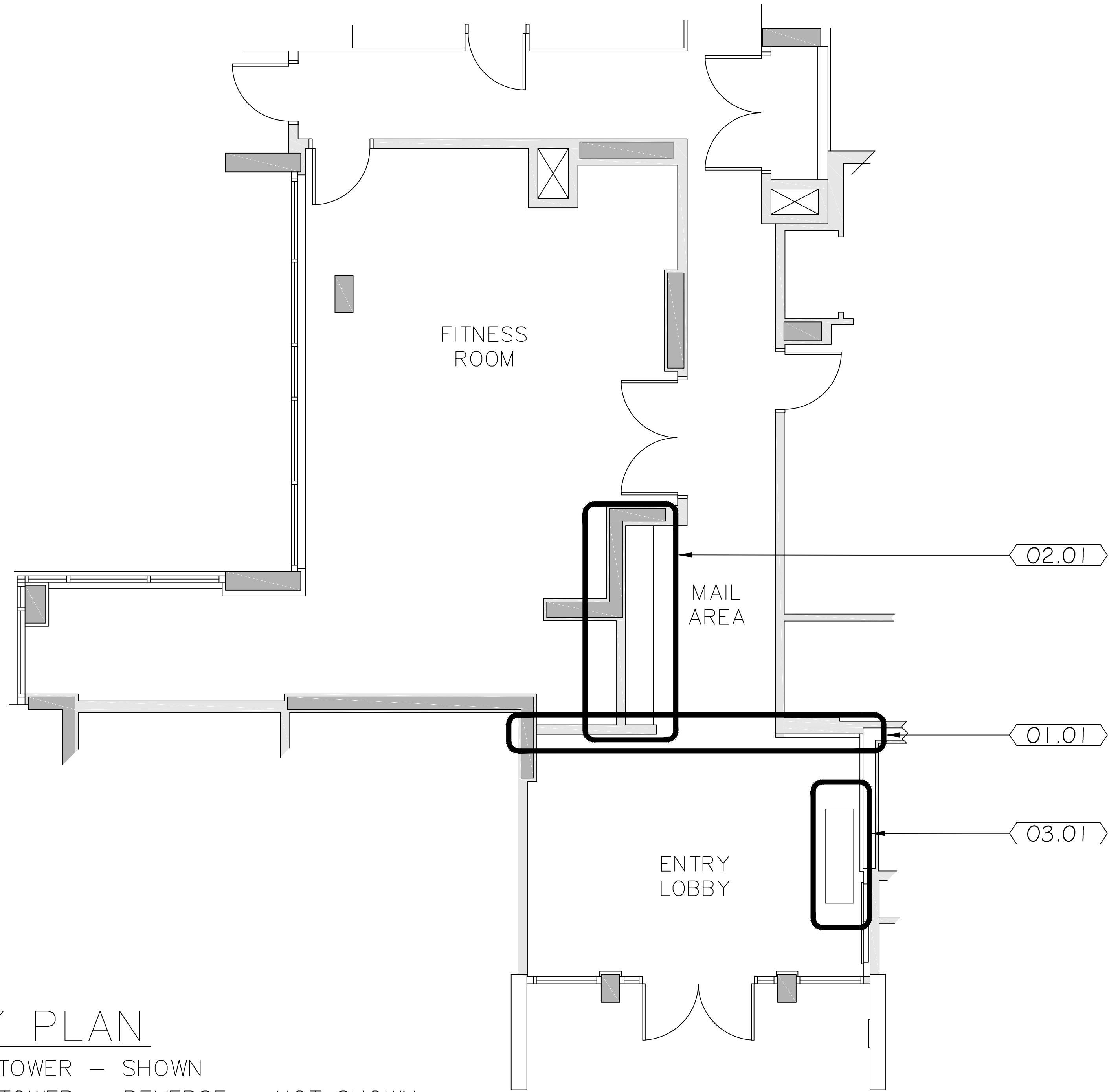
Millwork included in this package;

Item No.	Description	Dwg. Qty.	Job Number
----------	-------------	-----------	------------

CASEWORK					
DOORS	THICKNESSES	EXPOSED FACES	KICKS		
FACE:	PL-X PF (0.7mm)	GABLES:	19mm	MATERIAL:	PL-X PF(0.7mm)
BACK:	PL-X PF (0.7mm)	TOP:	19mm	CORE:	1 1/16" MDF
CORE:	1 1/16" MDF	BOTTOM:	19mm	BACKER:	PL or Paint to Match Interior
EDGES:	PL-X PF (0.7mm)	BACK:	6mm		
		FIXED SHELVES:	19mm (25mm)**	HARDWARE	
CABINET		ADJ. SHELVES:	19mm (25mm)**	DRAWER SLIDES:	Accuride 3832 Soft-Close
INTERIOR:	White Melamine U.N.O.	DRAWER BOXES		HINGES:	Blum 110 Soft-Close
CORE:	Particle Board	SIDES:	16mm	ADJ. SHELF PINS:	5mm Chrome
		FRONT/BACK:	16mm	ADJ. SHELF STDS:	5/8" Metal Pilaster Strips
GLASS		BOTTOM:	6mm	HANDLES/PULLS:	Mocket DP3B 4" TAB matt blk
TYPE:	N/A	*All liners within a job to match **Shelf sizes in brackets for overspan shelves as per AWS manual			
THICKNESS:	N/A				

Millwork included in this package:

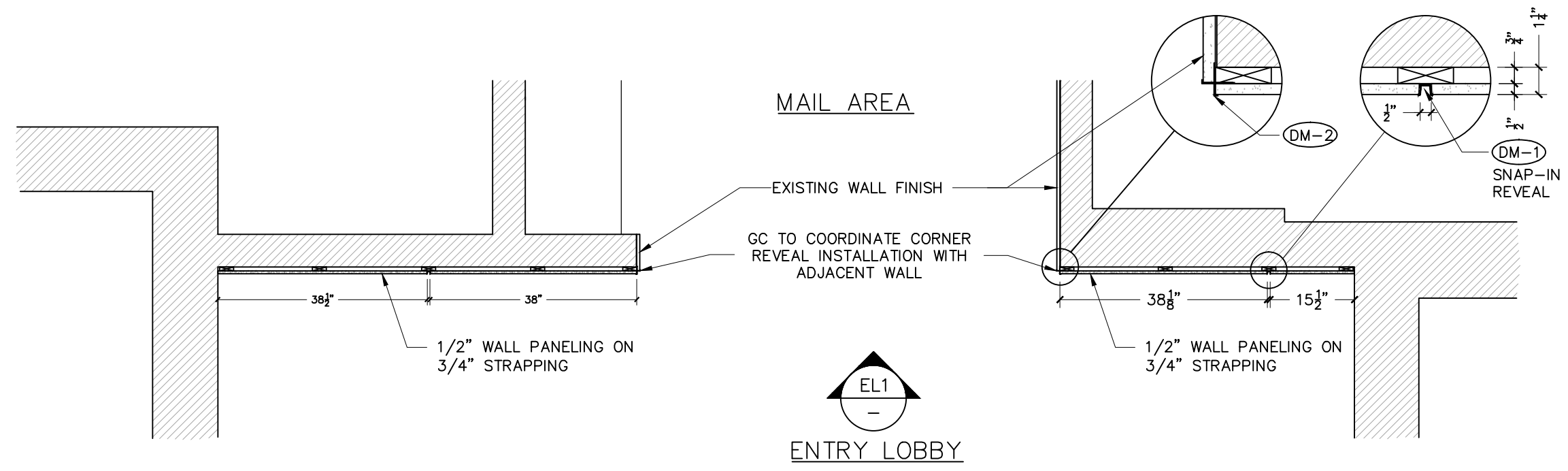
Item No.	Description	Dwg. Qty.	Job Number
01	LOBBY WALL PANELING	2	
02	MAIL AREA	2	
03	LOBBY BENCH	1	



KEY PLAN

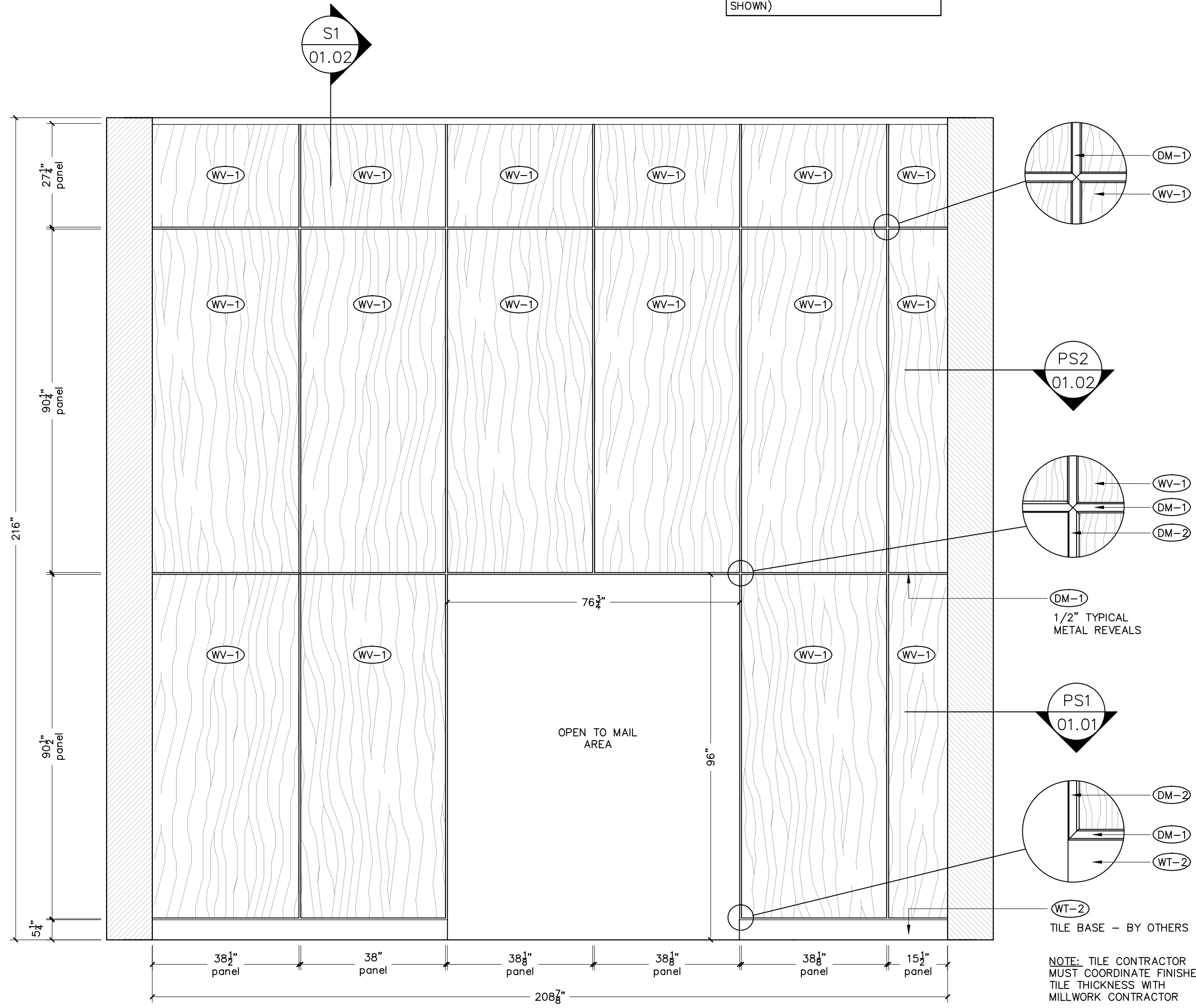
EAST TOWER - SHOWN

WEST TOWER - REVERSE - NOT SHOWN

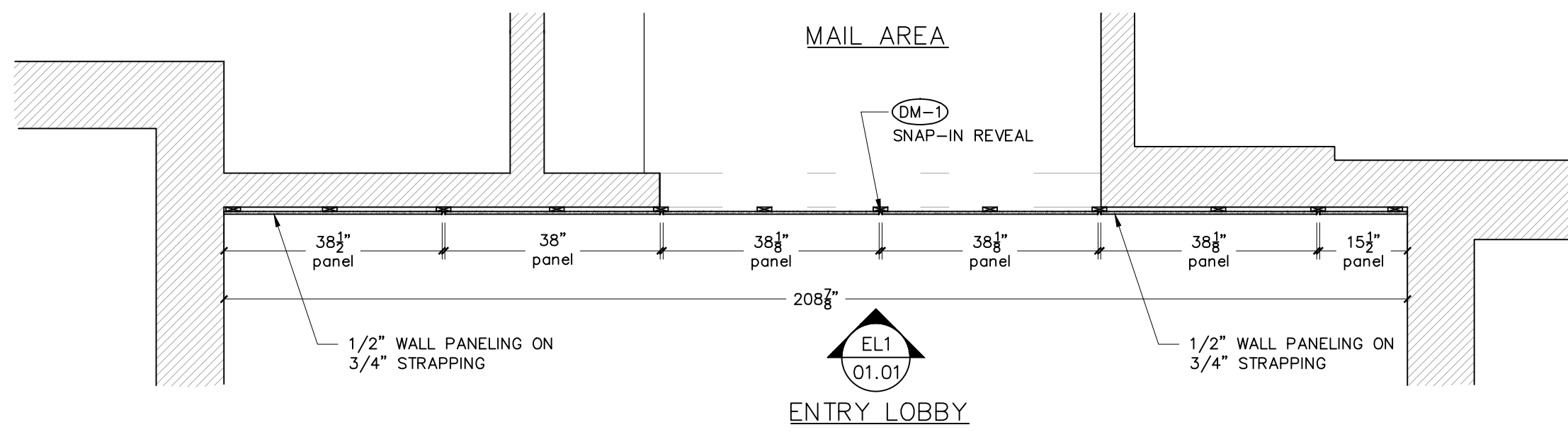


PS1 ENTRY LOBBY - WALL PANELING
Scale: 1/2" = 1'-0"

NOTE: ALL SITE DIMENSIONS HAVE TO BE VERIFIED PRIOR THE FABRICATION
- EAST TOWER SHOWN
- REVERSE FOR WEST TOWER (NOT SHOWN)

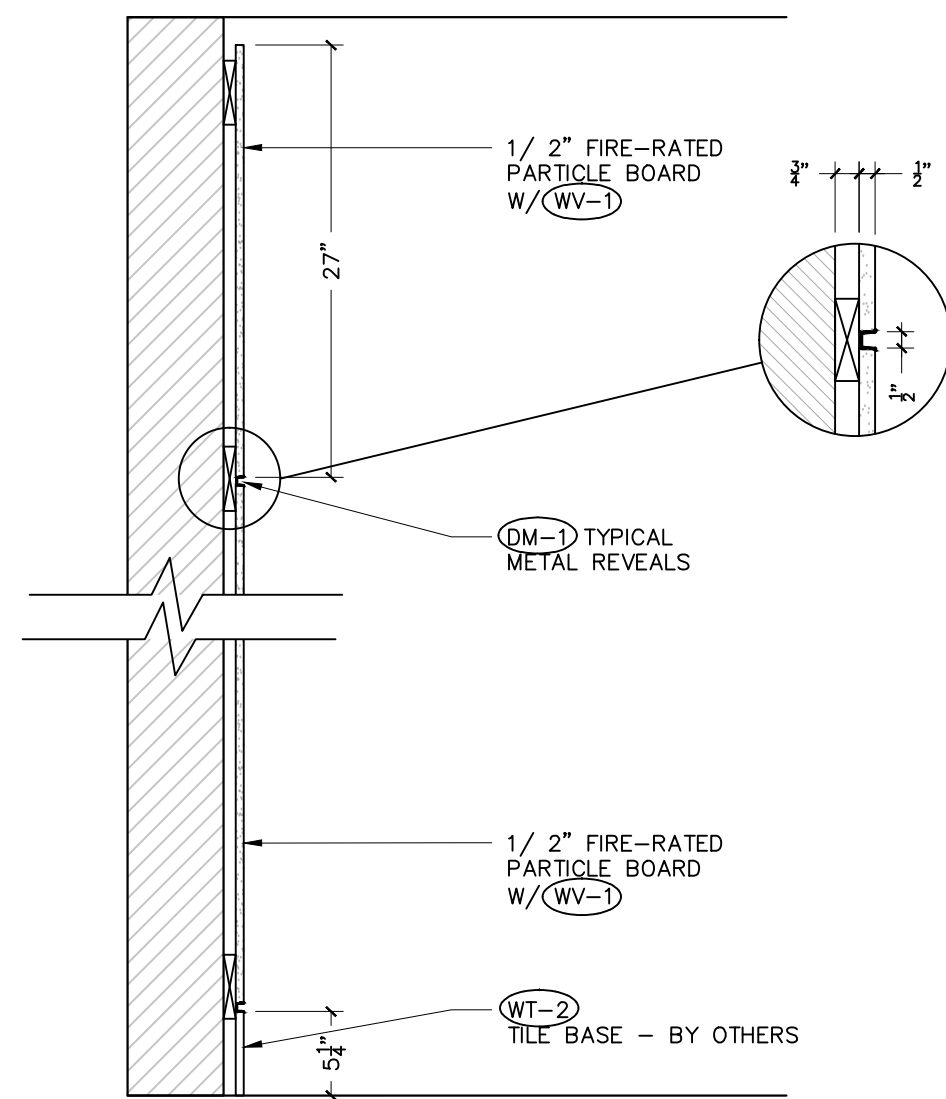


EL1 ENTRY LOBBY - WALL PANELING
Scale: 1/2" = 1'-0"



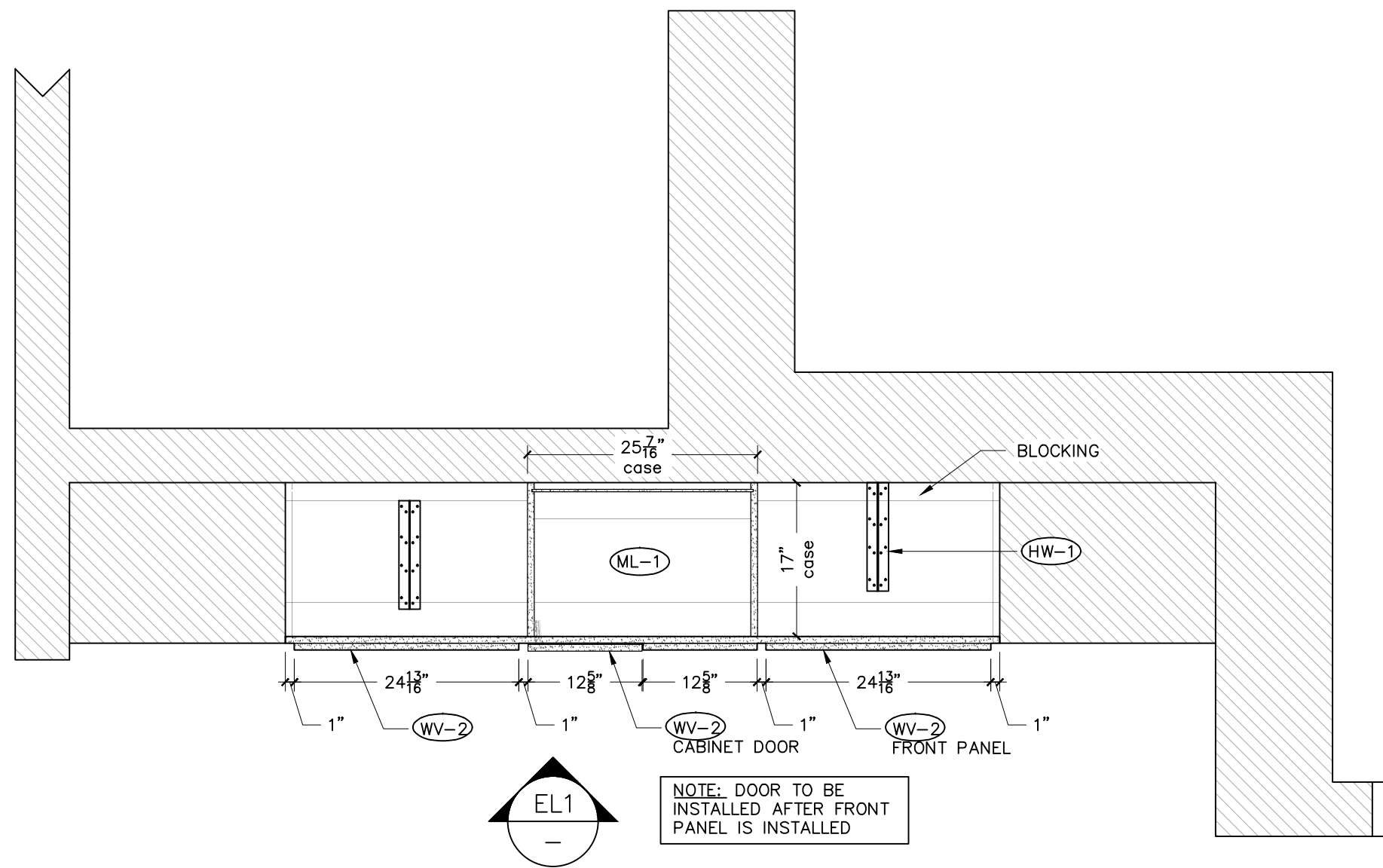
PS2 ENTRY LOBBY – WALL PANELING
 Scale: 1/2" = 1'-0"

NOTE: ALL SITE DIMENSIONS HAVE TO BE VERIFIED PRIOR THE FABRICATION
 - EAST TOWER SHOWN
 - REVERSE FOR WEST TOWER (NOT SHOWN)



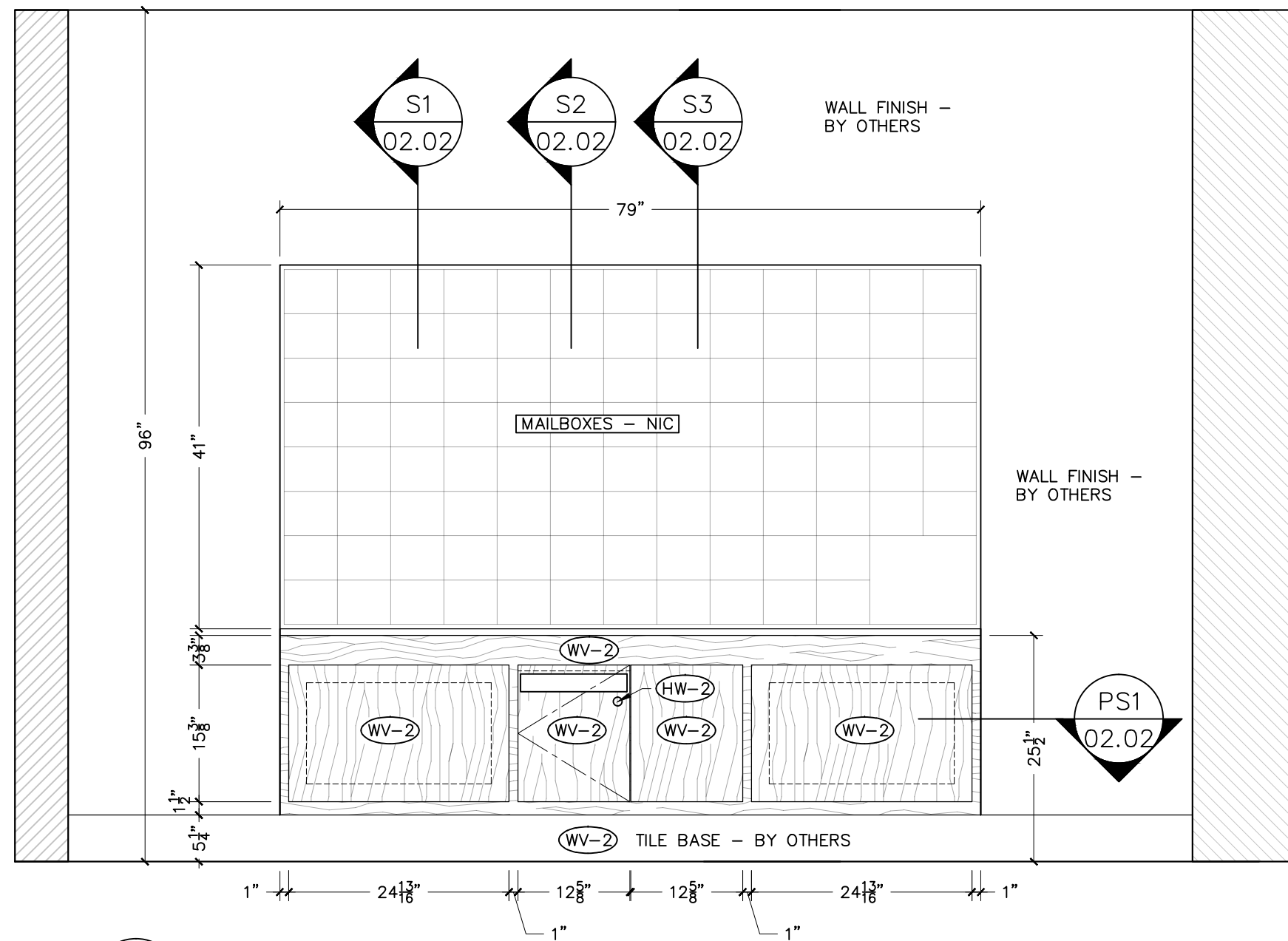
S1 WALL PANELING
 01.02 Scale: 1" = 1'-0"

NOTE: TILE CONTRACTOR MUST COORDINATE FINISHED TILE THICKNESS W/MILLWORK CONTRACTOR

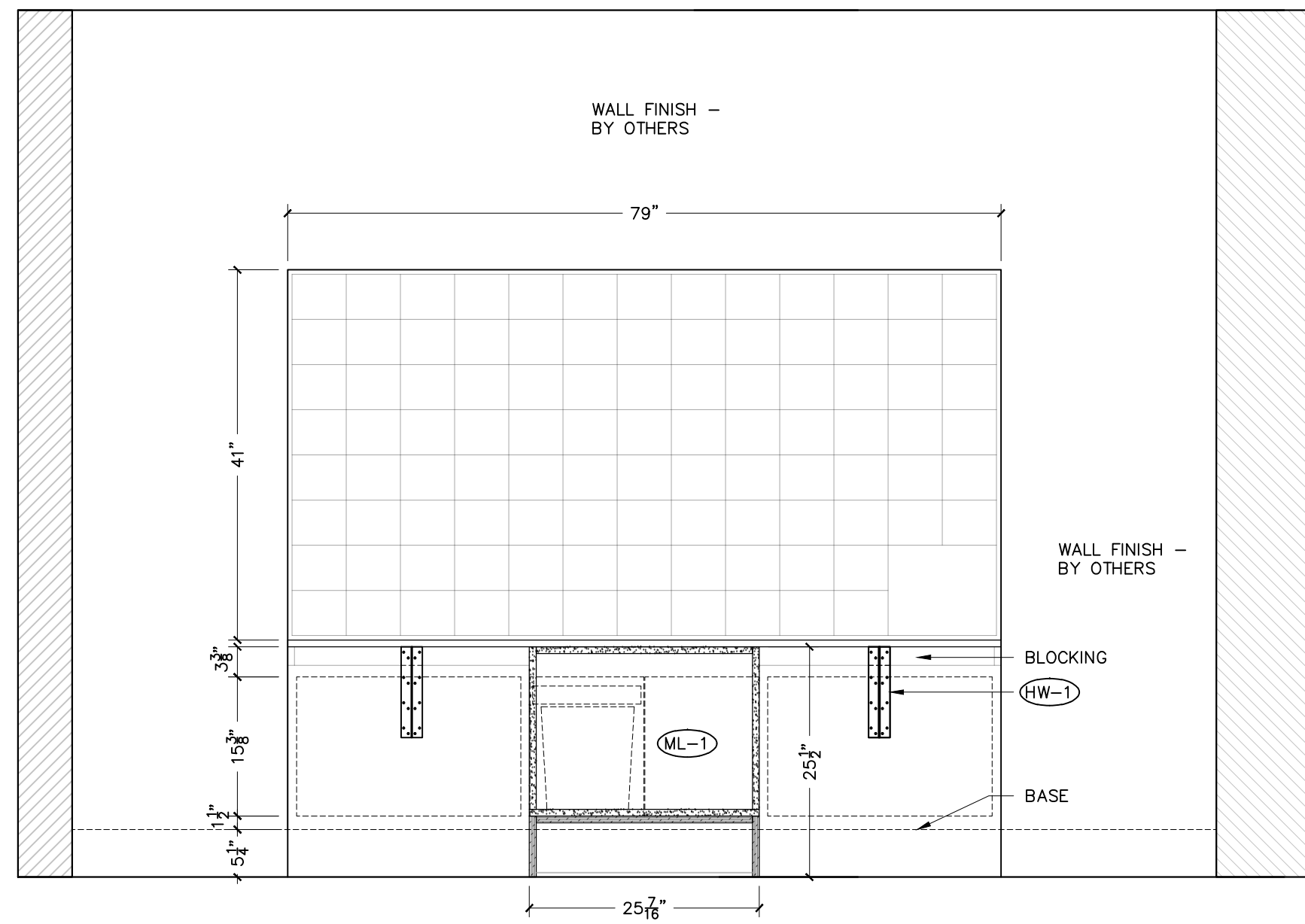


PS1 MAIL AREA
Scale: 3/4" = 1'-0"

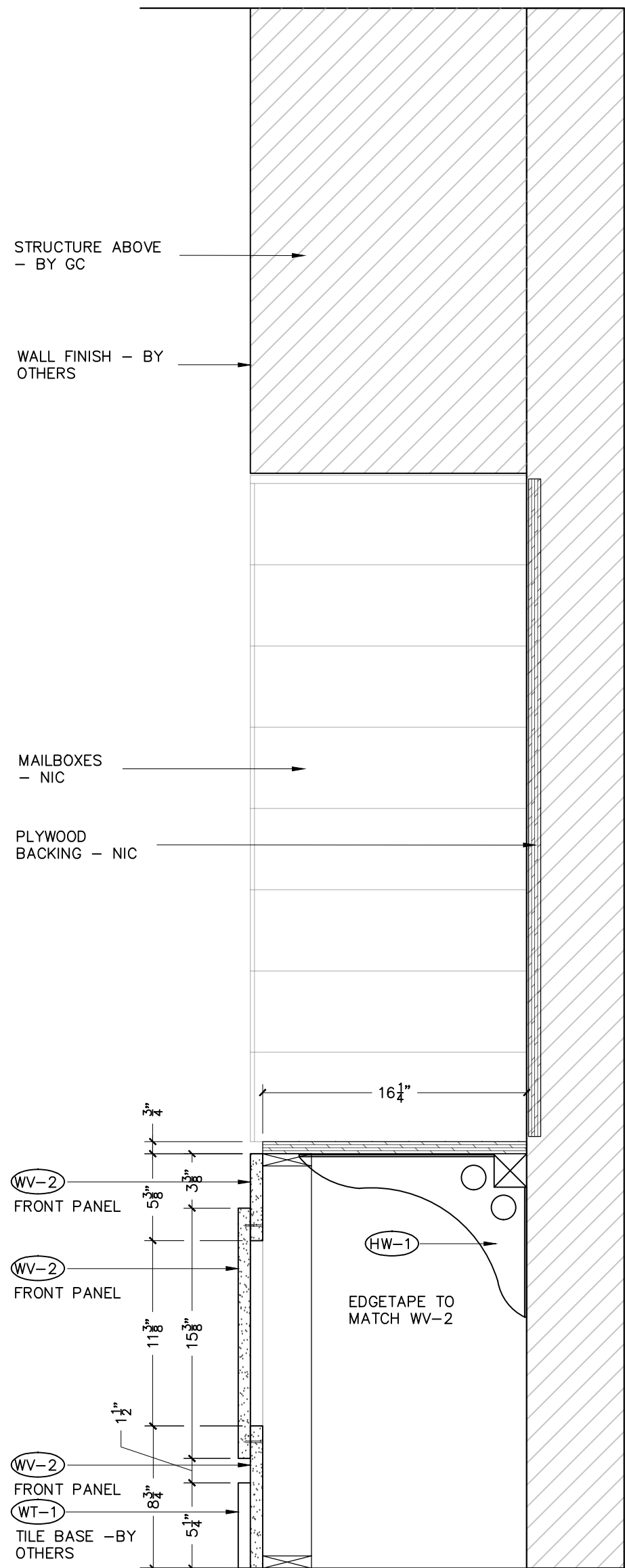
NOTE: ALL SITE DIMENSIONS HAVE TO BE VERIFIED PRIOR THE FABRICATION
- EAST TOWER SHOWN
- REVERSE FOR WEST TOWER (NOT SHOWN)



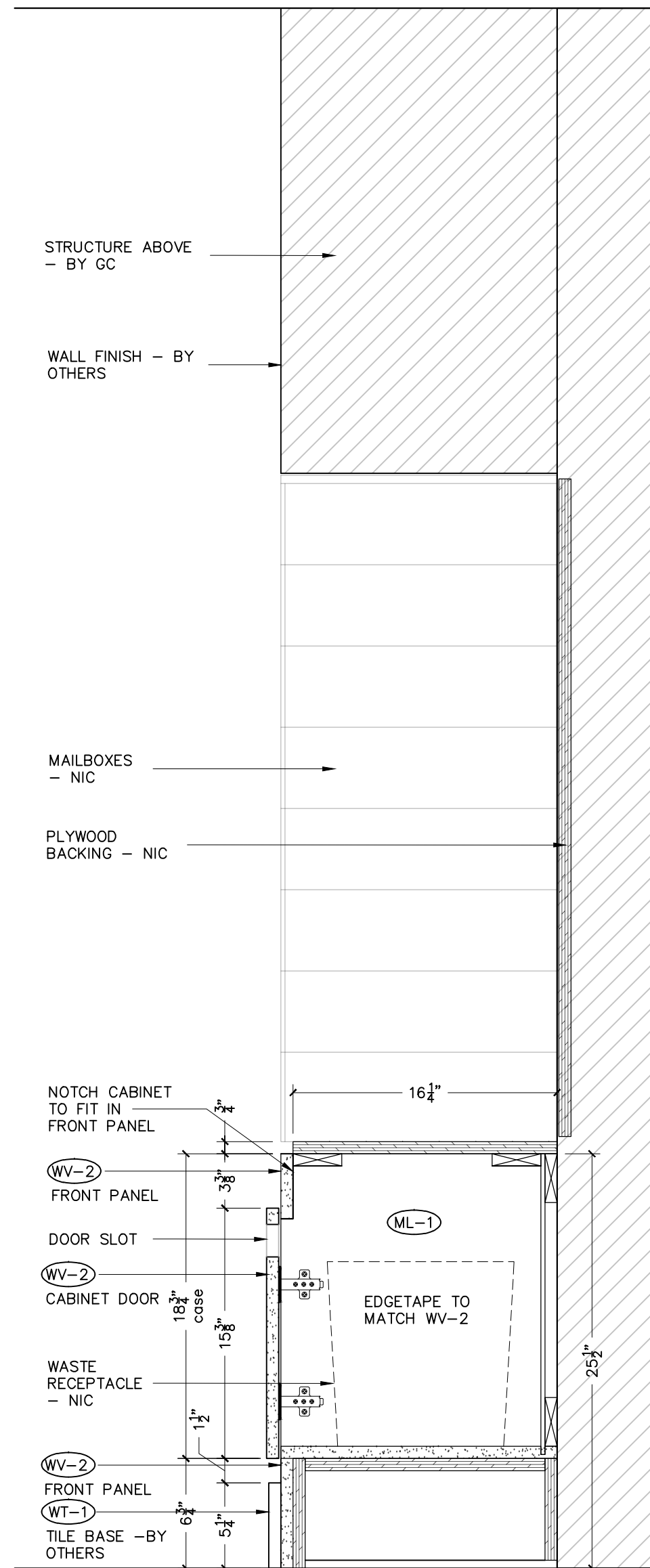
EL1 MAIL AREA
Scale: 3/4" = 1'-0"



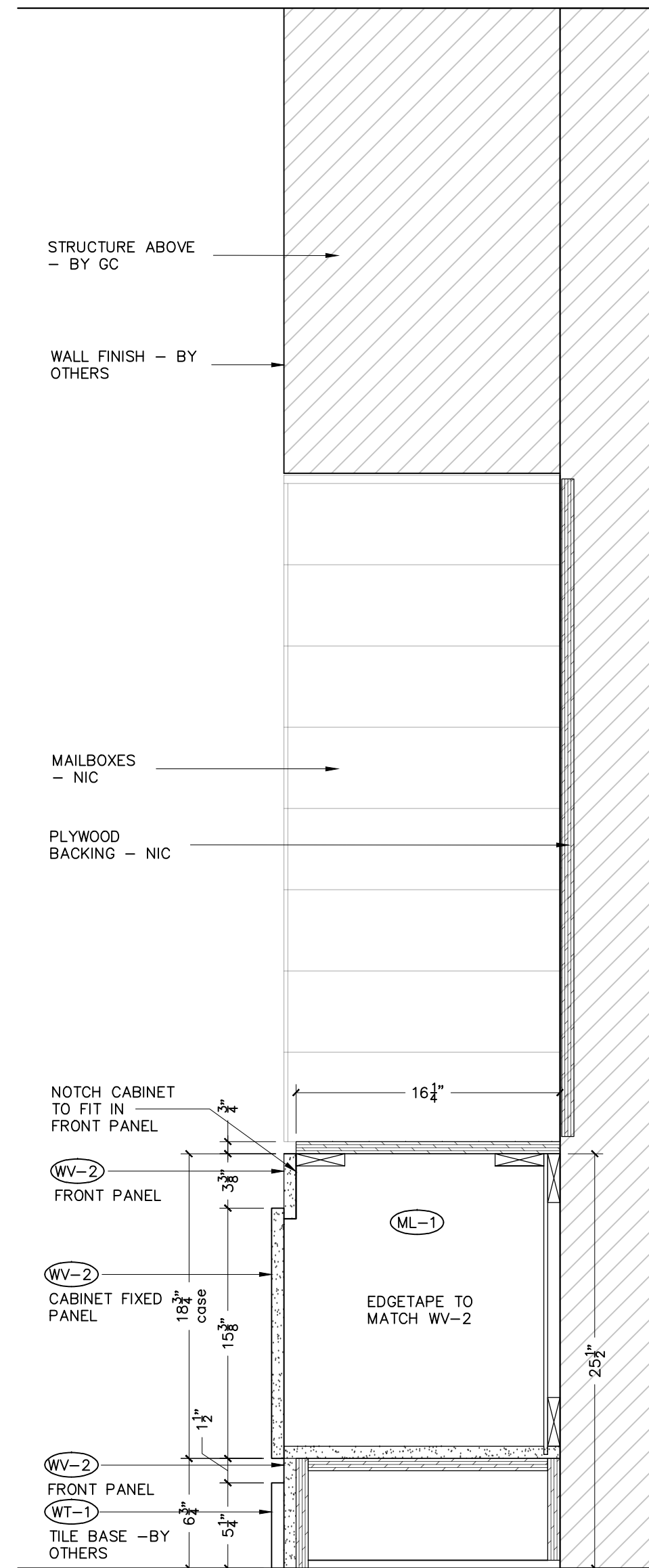
EL1a MAIL AREA - W/OUT FRONT PANEL AND DOOR
Scale: 3/4" = 1'-0"



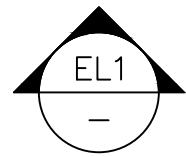
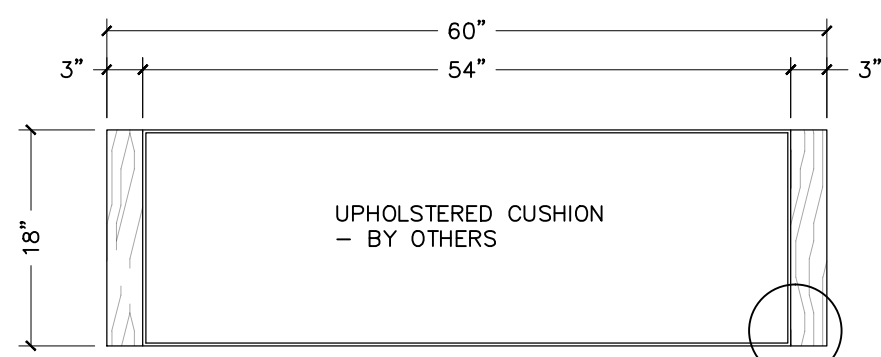
S1 MAIL AREA
Scale: 1-1/2" = 1'-0"



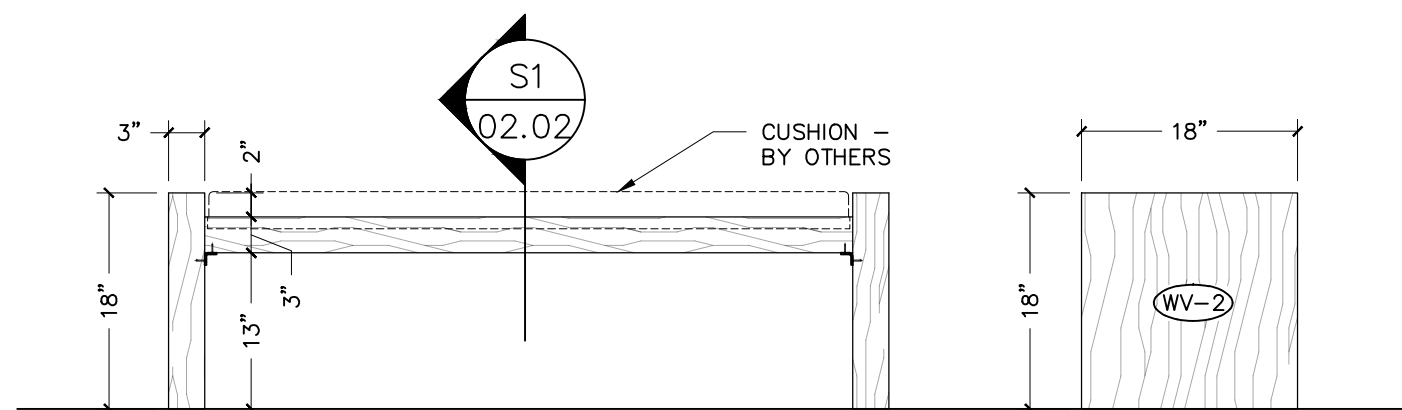
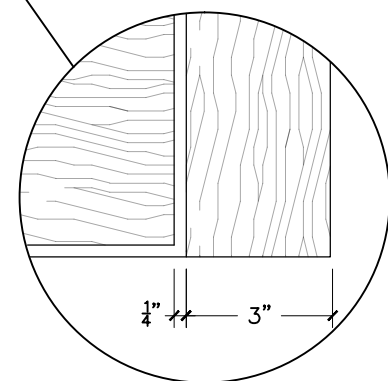
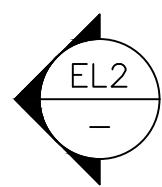
S2 MAIL AREA
Scale: 1-1/2" = 1'-0"



S2 MAIL AREA
Scale: 1-1/2" = 1'-0"

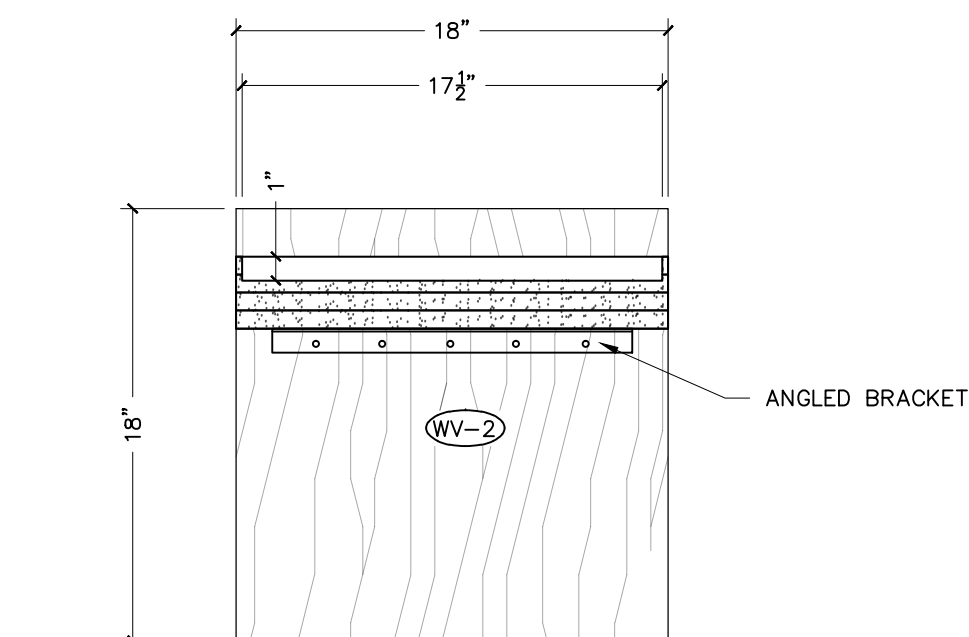


PS1 LOBBY BENCH
Scale: 3/4" = 1'-0"



EL1 LOBBY BENCH
Scale: 3/4" = 1'-0"

EL2 LOBBY BENCH
Scale: 3/4" = 1'-0"



S1 LOBBY BENCH
Scale: 1-1/2" = 1'-0"