

MILLWORK / CASEWORK SUBMITTAL

LOCATION MAP

TOWER RESIDENCE COMMON SPACE

CHICAGO, IL

GENERAL NOTES

ARCHITECT / DESIGNER

INTERESTING Associates
Architecture +Design

ADDRESS AND CONTACT FOR
ARCHITECT - HERE

CONTRACTOR

GENERAL NOTE:

1. VERIFY ALL DIMENSIONS IN FIELD.
2. GENERAL CONTRACTOR TO CONFIRM OPENINGS FOR APPLIANCES

MILLWORK / CASEWORK

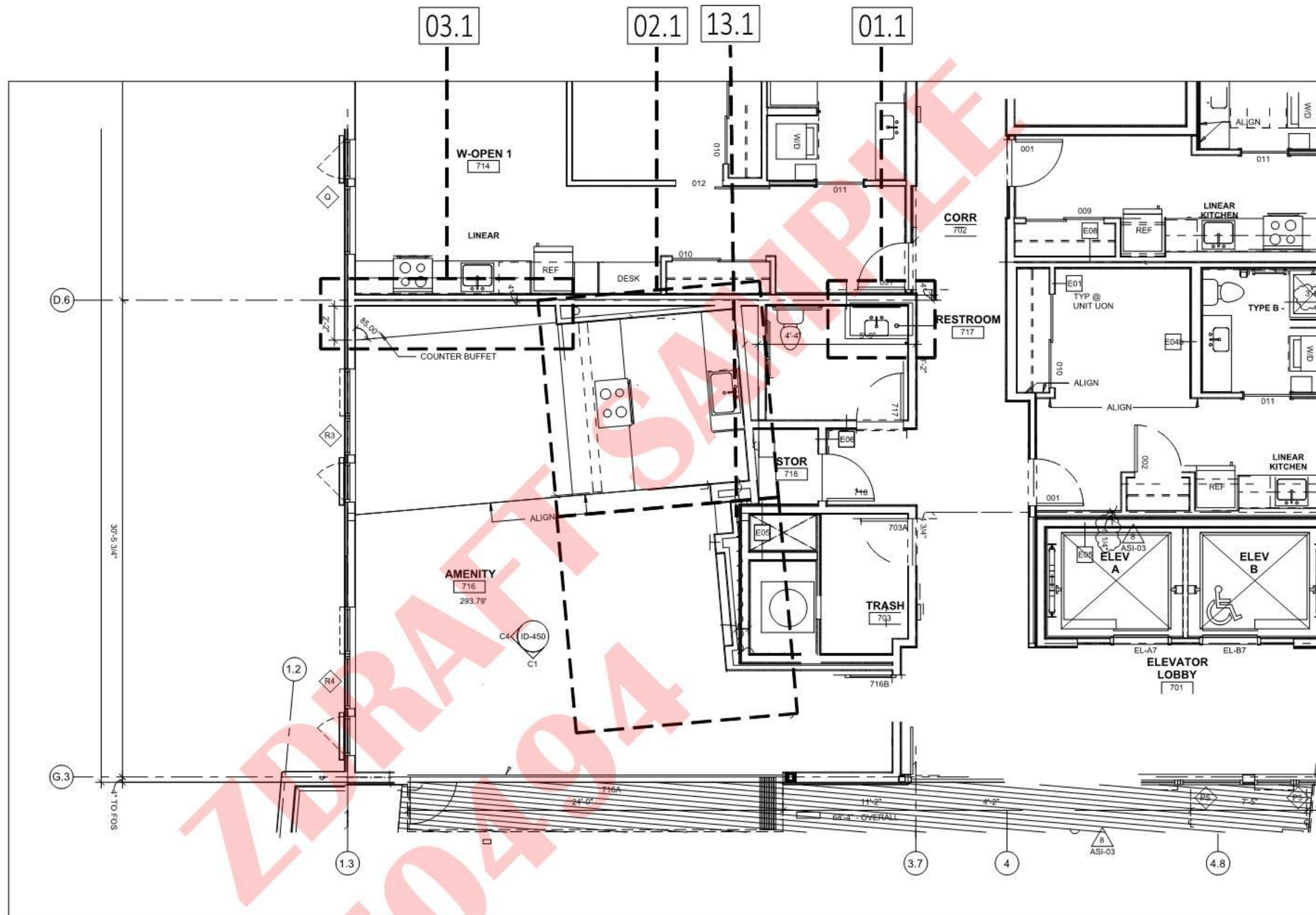
A₂ZDRAFT.COM
1-855-999-0062

COMPANY JOB INFO

JOB NO:	ZDRAFT-70494
SUBMITTAL NO:	SCOPE 8,9,10,11
SUBMITTAL DATE:	20-10-08
REV. NO. / REV. DATE:	

ARCHITECT'S APPROVAL STAMP / SIGNATURE & DATE

CONTRACTOR'S APPROVAL STAMP / SIGNATURE & DATE

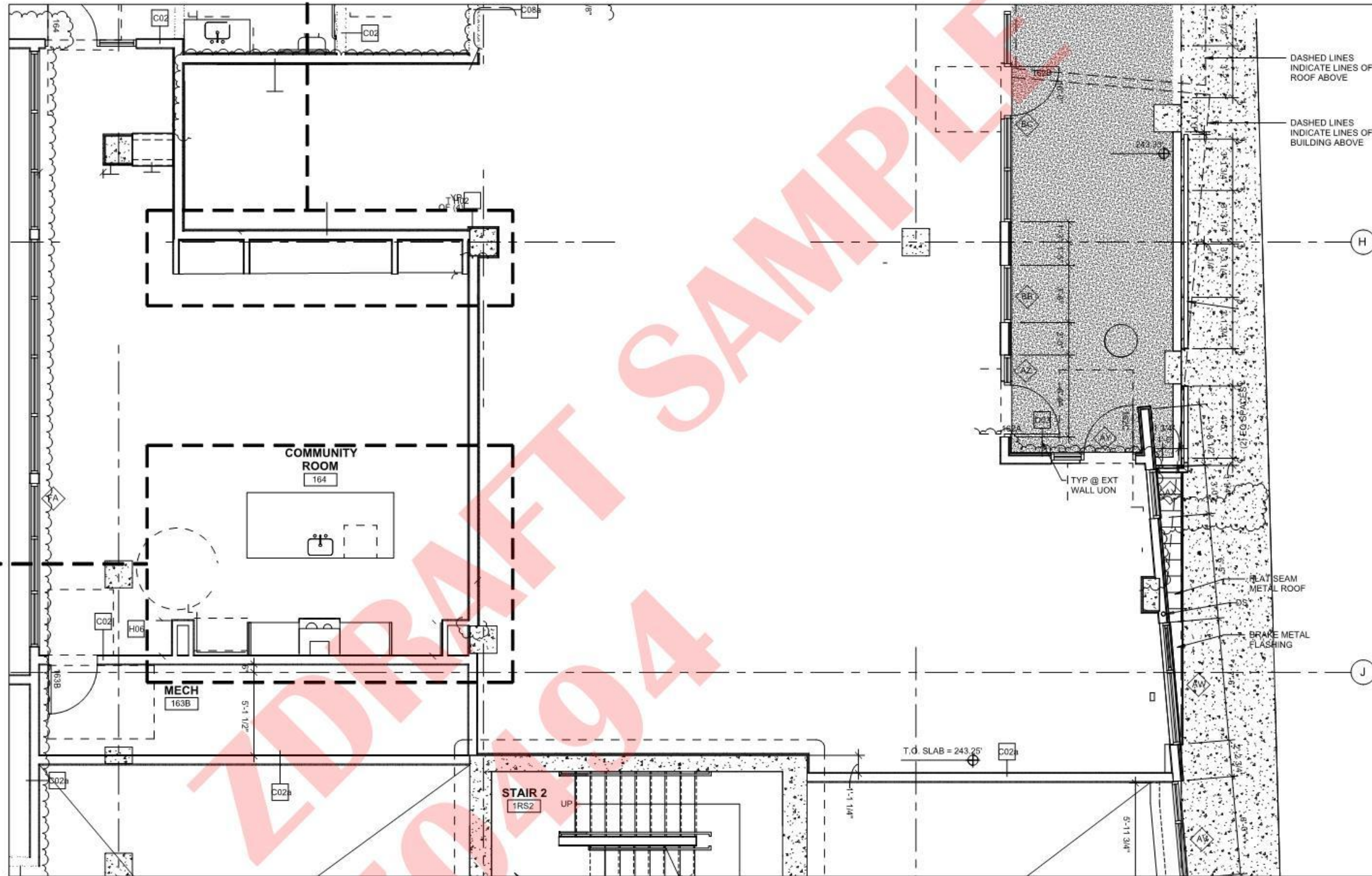


LEGEND			
01	Hardware Resources 154SS Bar Pull, SS Finish		
02	Salice #H110C2J6A99, Series 200 Hinge, +110° Self Close		
03	Salice Hinge Mntg. Plate		
04	Blum Slide 563, Undermount Soft-close		
05	5mm Shelf Pin, Hafele 282.04.711, Nickel Plated		
06	Richelieu Aluminum Edge Pull 98983310		
08	Cabinet Lock: RICHELIEU #BP140001140 Opposing door thumb latch (not shown)		
10	FastCap SpeedBrace Bracket; White; Size: V.I.F.		
11	RICHELIEU - Triade 1621412G (Mod to fit) C.W WEBKIT #1216866 (Drywall kit)		
20	Z-Clip, Richelieu #5075070		
PL-1C	Plastic Laminate, Pionite, Upland Stone, MG160-W / Slate Fin		
PL-2C	Plastic Laminate, Pionite, First and Main / AG031, Suede Fin		
PL-3C	Plastic Laminate, To Be Specified		
WD-4C	BAMBOO PLYWOOD, Amber Edge Grain		
WD-6C	Solid Oak - Match Approved Sample		
SS-1C	CAESARSTONE, Clam Shell 4130 (3CM)		
ML-1	Melamine, White		
CL-1	Cabinet Liner		
millwork/casework by:			
A2DRAFT.COM			
1-855-999-0062			
project:			
PROJECT RETAIL			
drawn by: ZD-EN			
date	20-08-24	job#	70494
revisions		sheet	FP-01

1 FLOOR PLAN
 WEST LEVEL 7 NW Scale: NTS
 Arch. Ref. A2/A119-a

05.1

04.1



2

FLOOR PLAN

EAST LEVEL 1R SE

Scale: NTS

Arch. Ref. A1/A114-d

LEGEND

- 01 Hardware Resources 154SS Bar Pull, SS Finish
- 02 Salice #H110C2J6A99, Series 200 Hinge, +110° Self Close
- 03 Salice Hinge Mntg. Plate
- 04 Blum Slide 563, Undermount Soft-close
- 05 5mm Shelf Pin, Hafele 282.04.711, Nickel Plated
- 06 Richelieu Aluminum Edge Pull 98983310
- 08 Cabinet Lock: RICHIEU #BP140001140
Opposing door thumb latch (not shown)
- 10 FastCap SpeedBrace Bracket; White; Size: V.I.F.
- 11 RICHIEU - Triade 1621412G (Mod to fit)
C.W WEBKIT #1216866 (Drywall kit)
- 20 Z-Clip, Richelieu #5075070

- PL-1C Plastic Laminate, Pionite,
Upland Stone, MG160-W / Slate Fin
- PL-2C Plastic Laminate, Pionite,
First and Main / AG031, Suede Fin
- PL-3C Plastic Laminate, To Be Specified
- WD-4C BAMBOO PLYWOOD, Amber Edge Grain
- WD-6C Solid Oak - Match Approved Sample
- SS-1C CAESARSTONE, Clam Shell 4130 (3CM)
- ML-1 Melamine, White
- CL-1 Cabinet Liner

millwork/casework by:

A2DRAFT.COM

1-855-999-0062

project:

PROJECT RETAIL

drawn by:

ZD-LR

date

20-08-24

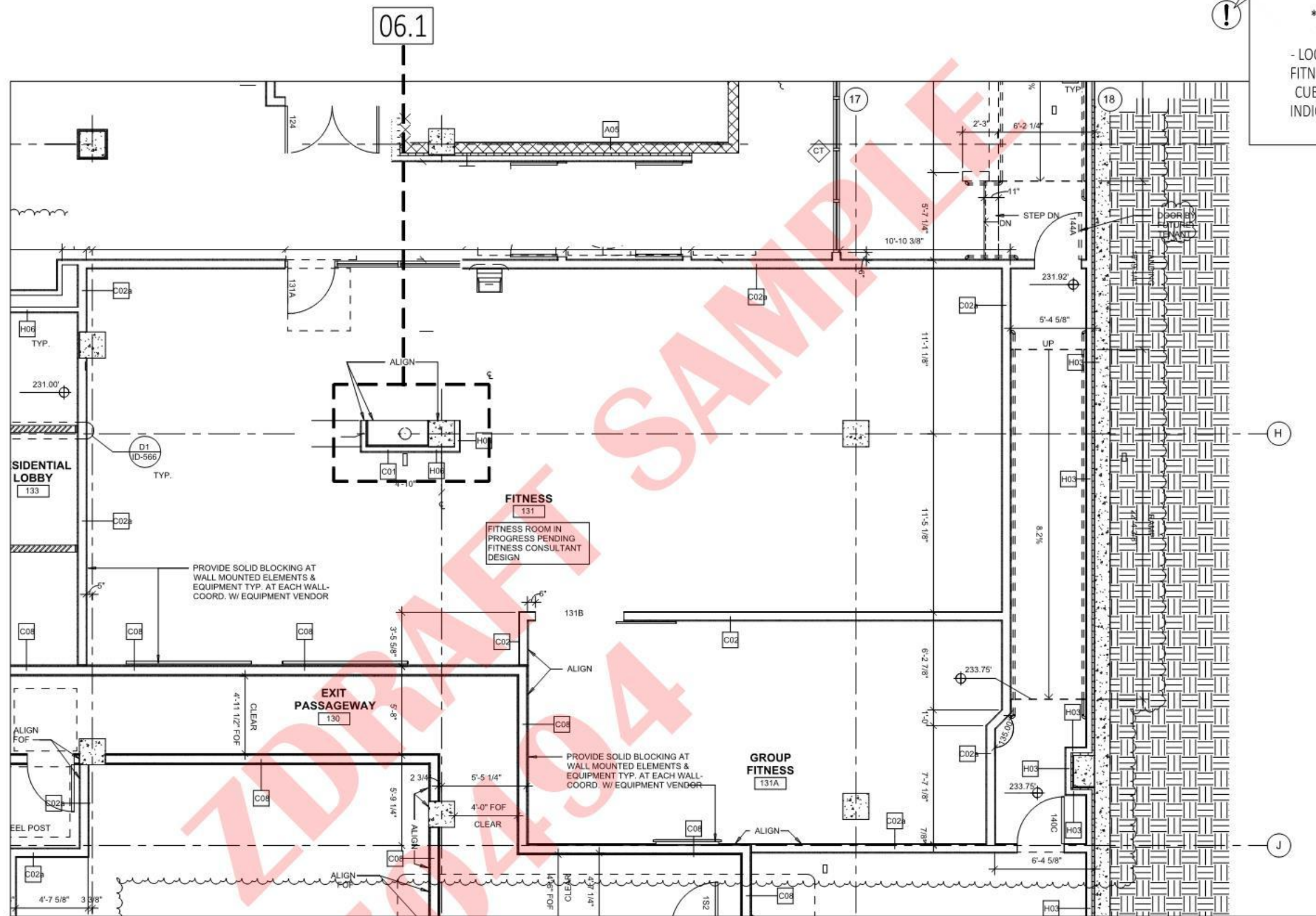
job#

70426

revisions

sheet

FP-02



NOTE
 - LOCATION OF FITNESS ROOM CUBBIES NOT INDICATED YET

LEGEND	
01	Hardware Resources 154SS Bar Pull, SS Finish
02	Salice #H110C2J6A99, Series 200 Hinge, +110° Self Close
03	Salice Hinge Mntg. Plate
04	Blum Slide 563, Undermount Soft-close
05	5mm Shelf Pin, Hafele 282.04.711, Nickel Plated
06	Richelieu Aluminum Edge Pull 98983310
08	Cabinet Lock: RICHELIEU #BP140001140 Opposing door thumb latch (not shown)
10	FastCap SpeedBrace Bracket; White; Size: V.I.F.
11	RICHELIEU - Triade 1621412G (Mod to fit) C.W WEBKIT #1216866 (Drywall kit)
20	Z-Clip, Richelieu #5075070

PL-1C	Plastic Laminate, Pronite, Upland Stone, MG160-W / Slate Fin
PL-2C	Plastic Laminate, Pronite, First and Main / AG031, Suede Fin
PL-3C	Plastic Laminate, To Be Specified
WD-4C	BAMBOO PLYWOOD, Amber Edge Grain
WD-6C	Solid Oak - Match Approved Sample
SS-1C	CAESARSTONE, Clam Shell 4130 (3CM)
ML-1	Melamine, White
CL-1	Cabinet Liner

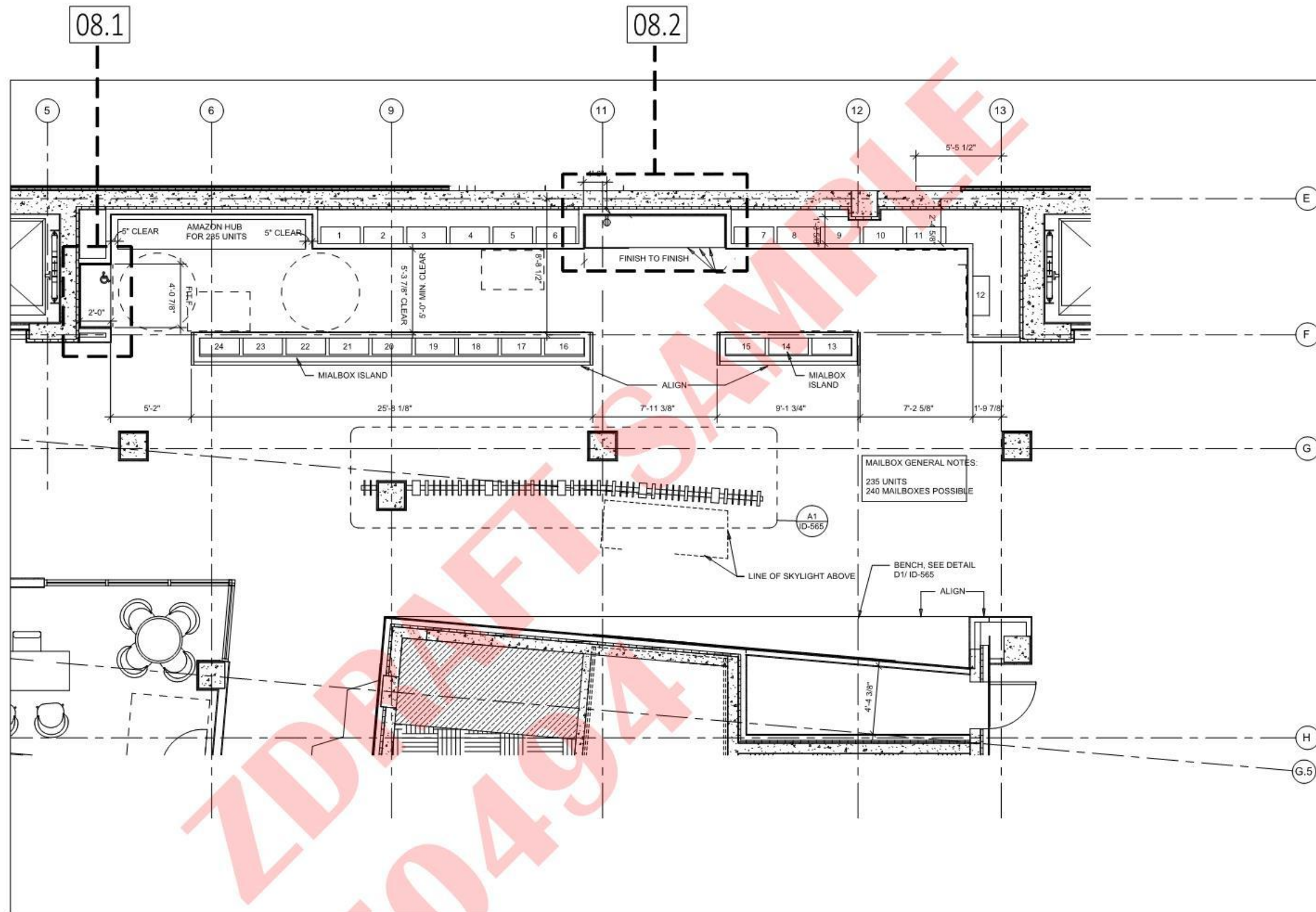
millwork/casework by:
A2DRAFT.COM
 1-855-999-0062

project:
 PROJECT RETAIL

drawn by: ZD-LR

date	20-08-24	job#	70426
revisions		sheet	FP-03

3 FLOOR PLAN
 EAST LEVEL 1 SE Scale: NTS
 Arch. Ref. A1/1-113-d



LEGEND

- (01) Hardware Resources 154SS Bar Pull, SS Finish
- (02) Salice #H110C2J6A99, Series 200 Hinge, +110° Self Close
- (03) Salice Hinge Mntg. Plate
- (04) Blum Slide 563, Undermount Soft-close
- (05) 5mm Shelf Pin, Hafele 282.04.711, Nickel Plated
- (06) Richelieu Aluminum Edge Pull 98983310
- (08) Cabinet Lock: RICHELIEU #BP140001140
Opposing door thumb latch (not shown)
- (10) FastCap SpeedBrace Bracket; White; Size: V.I.F.
- (11) RICHELIEU - Triade 1621412G (Mod to fit)
C.W WEBKIT #1216866 (Drywall kit)
- (20) Z-Clip, Richelieu #5075070

- PL-1C Plastic Laminate, Pionite,
Upland Stone, MG160-W / Slate Fin
- PL-2C Plastic Laminate, Pionite,
First and Main / AG031, Suede Fin
- PL-3C Plastic Laminate, To Be Specified
- WD-4C BAMBOO PLYWOOD, Amber Edge Grain
- WD-6C Solid Oak - Match Approved Sample
- SS-1C CAESARSTONE, Clam Shell 4130 (3CM)
- ML-1 Melamine, White
- CL-1 Cabinet Liner

millwork/casework by:

A2DRAFT.COM
1-855-999-0062

project:

PROJECT RETAIL

drawn by: ZD-LR

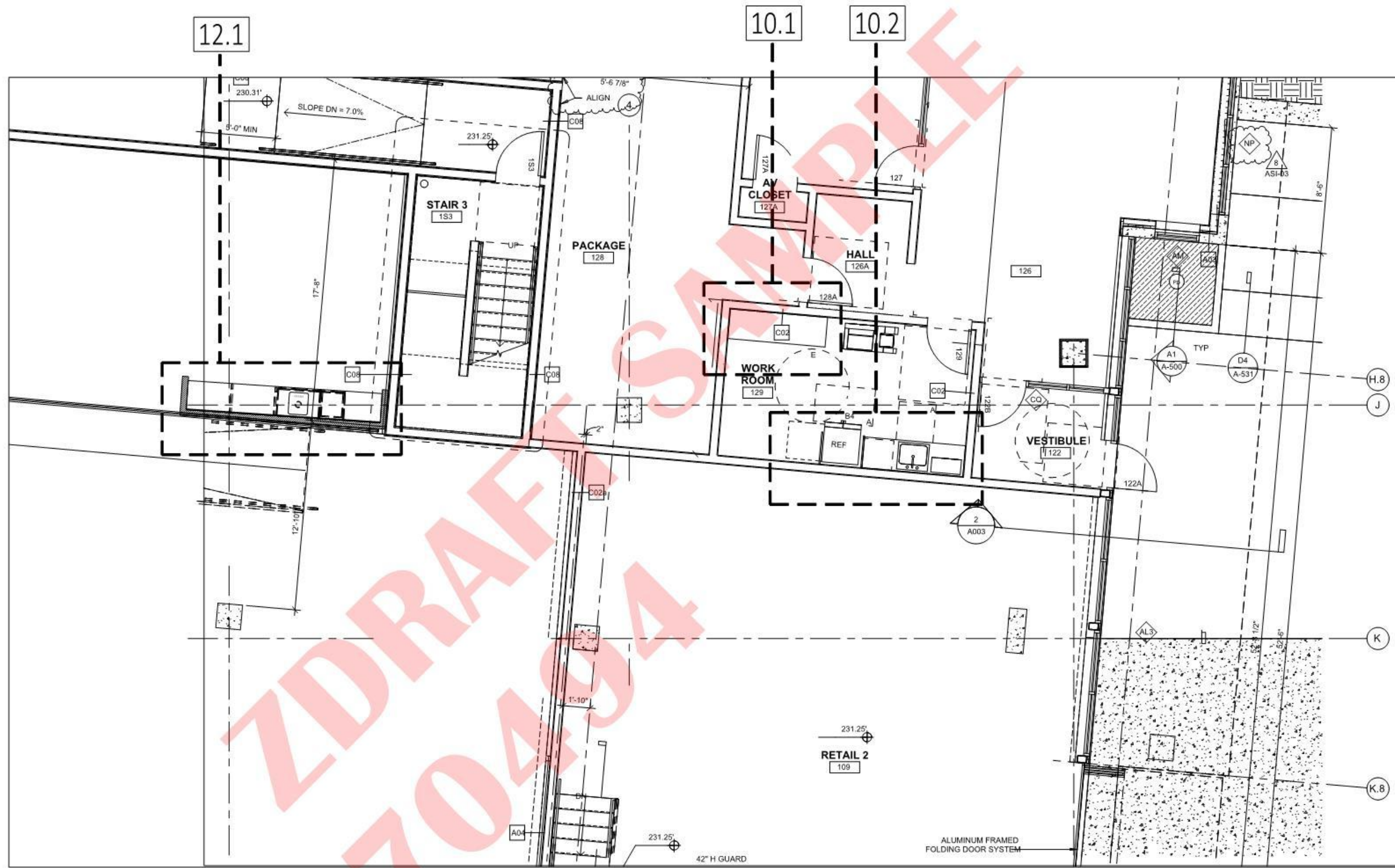
date	20-08-24	job#	70426
revisions		sheet	FP-04

4

FLOOR PLAN

LEVEL 1 CENTRAL

Scale: NTS
Arch. Ref. A2/A-130



LEGEND

- 01 Hardware Resources 154SS Bar Pull, SS Finish
- 02 Salice #H110C2J6A99, Series 200 Hinge, +110° Self Close
- 03 Salice Hinge Mntg. Plate
- 04 Blum Slide 563, Undermount Soft-close
- 05 5mm Shelf Pin, Hafele 282.04.711, Nickel Plated
- 06 Richelieu Aluminum Edge Pull 98983310
- 08 Cabinet Lock: RICHELIEU #BP140001140 Opposing door thumb latch (not shown)
- 10 FastCap SpeedBrace Bracket; White; Size: V.I.F.
- 11 RICHELIEU - Triade 1621412G (Mod to fit)
C.W WEBKIT #1216866 (Drywall kit)
- 20 Z-Clip, Richelieu #5075070

- PL-1C Plastic Laminate, Pionite, Upland Stone, MG160-W / Slate Fin
- PL-2C Plastic Laminate, Pionite, First and Main / AG031, Suede Fin
- PL-3C Plastic Laminate, To Be Specified
- WD-4C BAMBOO PLYWOOD, Amber Edge Grain
- WD-6C Solid Oak - Match Approved Sample
- SS-1C CAESARSTONE, Clam Shell 4130 (3CM)
- ML-1 Melamine, White
- CL-1 Cabinet Liner

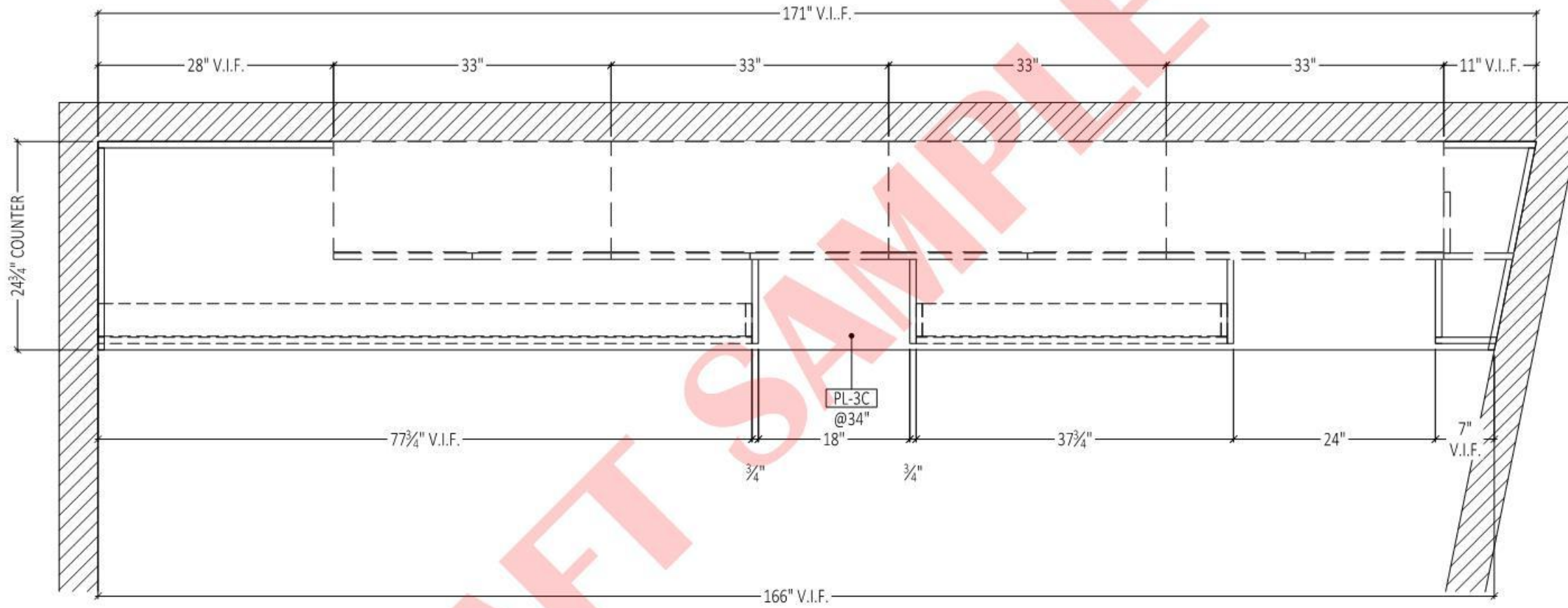
millwork/casework by:
A2DRAFT.COM
 1-855-999-0062

project:
 PROJECT RETAIL

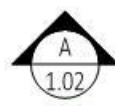
drawn by: ZD-LR ZD-EN

date	20-08-24	job#	70426
revisions		sheet	FP-05

5 FLOOR PLAN
 WEST LEVEL 1 SW Scale: NTS
 Arch. Ref. A1/A-113-b



1 PLAN
 WORK ROOM 117A Scale: 3/4"=1'-0"
 Arch. Ref. 20/I-3.5



LEGEND

- (01) Hardware Resources 154SS Bar Pull, SS Finish
- (02) Salice #H110C2J6A99, Series 200 Hinge, +110° Self Close
- (03) Salice Hinge Mntg. Plate
- (04) Blum Slide 563, Undermount Soft-close
- (05) 5mm Shelf Pin, Hafele 282.04.711, Nickel Plated
- (06) Richelieu Aluminum Edge Pull 98983310
- (08) Cabinet Lock: RICHIEU #BP140001140
Opposing door thumb latch (not shown)
- (10) FastCap SpeedBrace Bracket;White; Size: V.I.F.
- (11) RICHIEU - Triade 1621412G (Mod to fit)
C.W WEBKIT #1216866 (Drywall kit)
- (20) Z-Clip, Richelieu #5075070

- PL-1C Plastic Laminate, Pionite,
Upland Stone , MG160-W / Slate Fin
- PL-2C Plastic Laminate, Pionite,
First and Main / AG031, Suede Fin
- PL-3C Plastic Laminate, To Be Specified
- WD-4C BAMBOO PLYWOOD , Amber Edge Grain
- WD-6C Solid Oak - Match Approved Sample
- SS-1C CAESARSTONE, Clam Shell 4130 (3CM)
- ML-1 Melamine, White
- CL-1 Cabinet Liner

millwork/casework by:

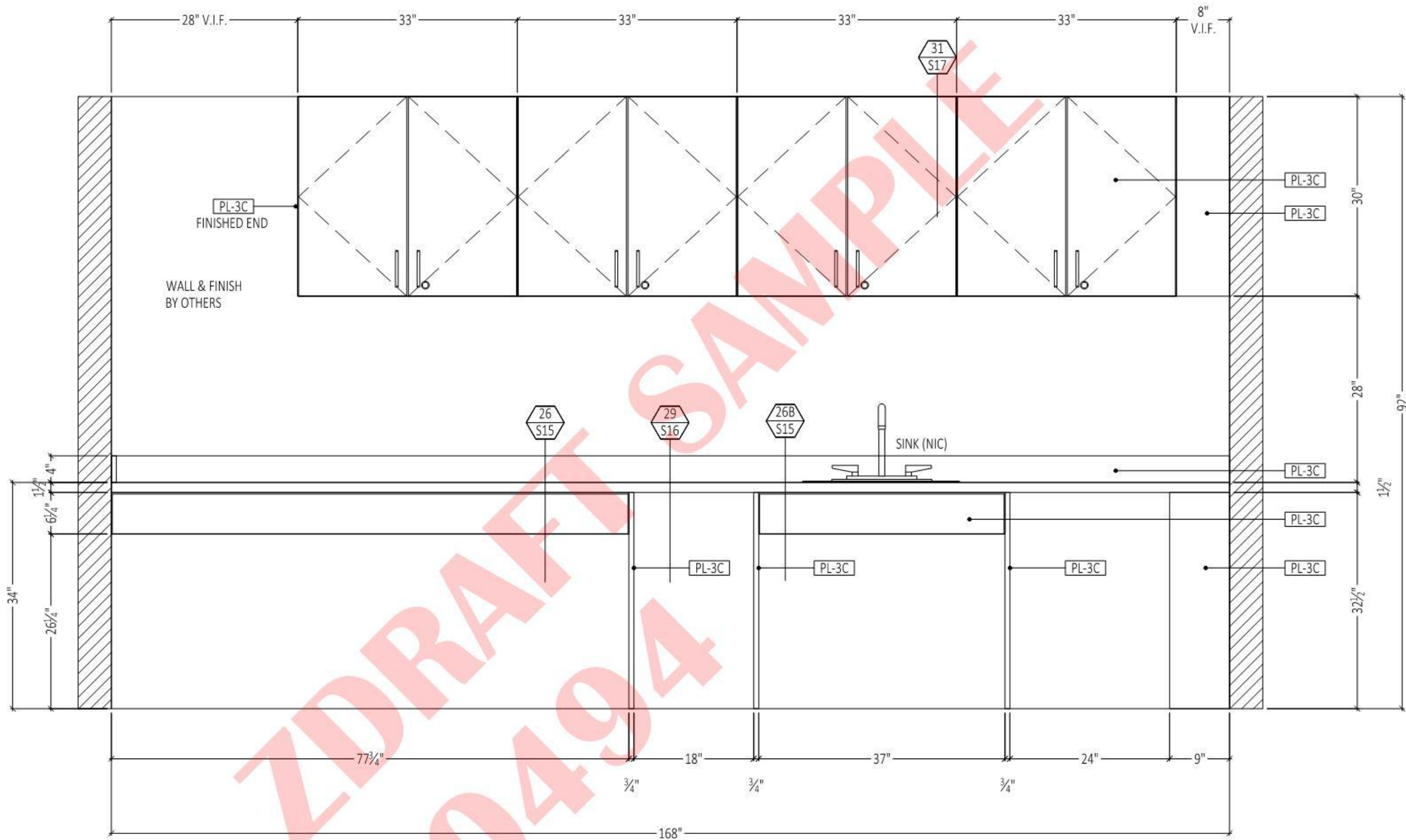
A2ZDRAFT.COM
1-855-999-0062

project:

PROJECT RETAIL
 PROJECT RETAIL
 PROJECT RETAIL

drawn by: ZD-EN

date	20-05-11	job#	70494
revisions		sheet	1.01



A ELEVATION
 WORK ROOM 117A Scale: 3/4"=1'-0"
 Arch. Ref. 20/I-3.5

LEGEND

- 01 Hardware Resources 154SS Bar Pull, SS Finish
- 02 Salice #H110C2J6A99, Series 200 Hinge, +110° Self Close
- 03 Salice Hinge Mntg. Plate
- 04 Blum Slide 563, Undermount Soft-close
- 05 5mm Shelf Pin, Hafele 282.04.711, Nickel Plated
- 06 Richelieu Aluminum Edge Pull 98983310
- 08 Cabinet Lock: RICHELIEU #BP140001140
Opposing door thumb latch (not shown)
- 10 FastCap SpeedBrace Bracket;White; Size: V.I.F.
- 11 RICHELIEU - Triade 1621412G (Mod to fit)
C.W WEBKIT #1216866 (Drywall kit)
- 20 Z-Clip, Richelieu #5075070

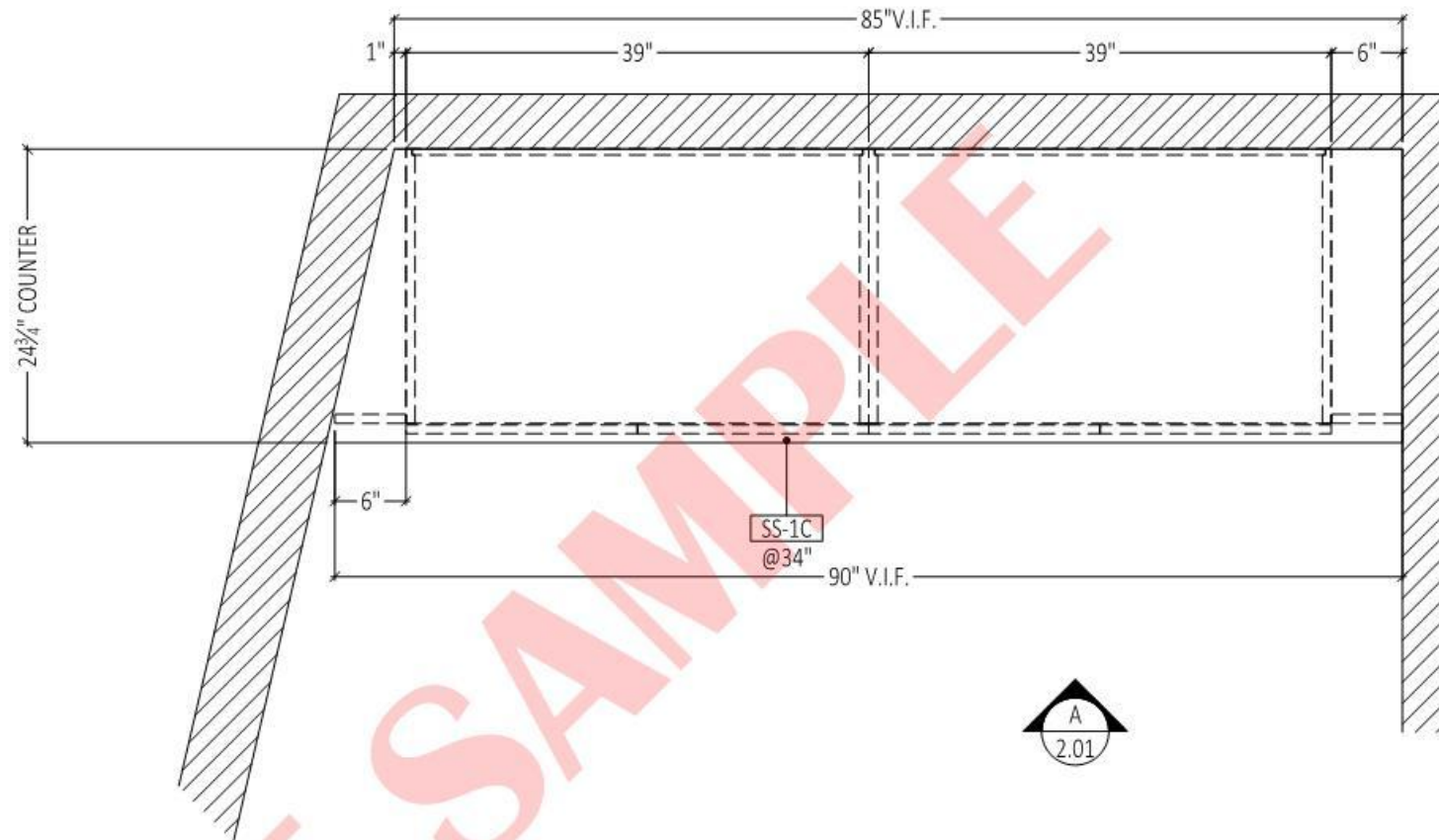
- PL-1C Plastic Laminate, Pionite,
Upland Stone , MG160-W / Slate Fin
- PL-2C Plastic Laminate, Pionite,
First and Main / AG031, Suede Fin
- PL-3C Plastic Laminate, To Be Specified
- WD-4C BAMBOO PLYWOOD , Amber Edge Grain
- WD-6C Solid Oak - Match Approved Sample
- SS-1C CAESARSTONE, Clam Shell 4130 (3CM)
- ML-1 Melamine, White
- CL-1 Cabinet Liner

millwork/casework by:
A2ZDRAFT.COM
 1-855-999-0062

project:
 PROJECT RETAIL
 PROJECT RETAIL
 PROJECT RETAIL

drawn by: ZD-EN

date	20-05-11	job#	70494
revisions		sheet	1.02



1

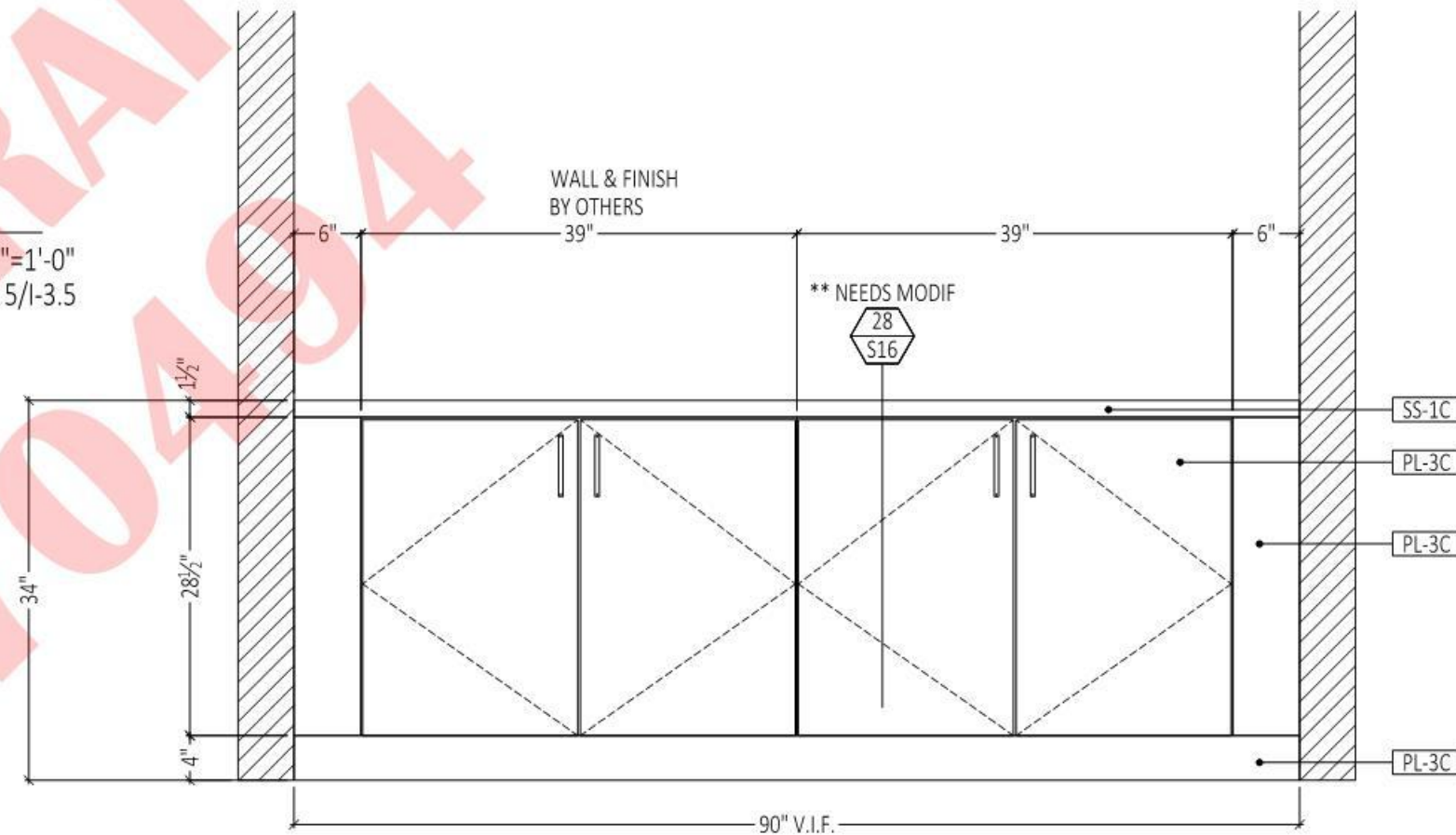
PLAN

JACKSON STREET LOBBY 115
Scale: 3/4"=1'-0"
Arch. Ref. 5/l-3.5

A

ELEVATION

JACKSON STREET LOBBY 115
Scale: 3/4"=1'-0"
Arch. Ref. 5/l-3.5



LEGEND

- 01 Hardware Resources 154SS Bar Pull, SS Finish
- 02 Salice #H110C2J6A99, Series 200 Hinge, +110° Self Close
- 03 Salice Hinge Mntg. Plate
- 04 Blum Slide 563, Undermount Soft-close
- 05 5mm Shelf Pin, Hafele 282.04.711, Nickel Plated
- 06 Richelieu Aluminum Edge Pull 98983310
- 08 Cabinet Lock: RICHELIEU #BP140001140
Opposing door thumb latch (not shown)
- 10 FastCap SpeedBrace Bracket;White; Size: V.I.F.
- 11 RICHELIEU - Triade 1621412G (Mod to fit)
C.W WEBKIT #1216866 (Drywall kit)
- 20 Z-Clip, Richelieu #5075070

- PL-1C Plastic Laminate, Pionite,
Upland Stone , MG160-W / Slate Fin
- PL-2C Plastic Laminate, Pionite,
First and Main / AG031, Suede Fin
- PL-3C Plastic Laminate, To Be Specified
- WD-4C BAMBOO PLYWOOD , Amber Edge Grain
- WD-6C Solid Oak - Match Approved Sample
- SS-1C CAESARSTONE, Clam Shell 4130 (3CM)
- ML-1 Melamine, White
- CL-1 Cabinet Liner

millwork/casework by:

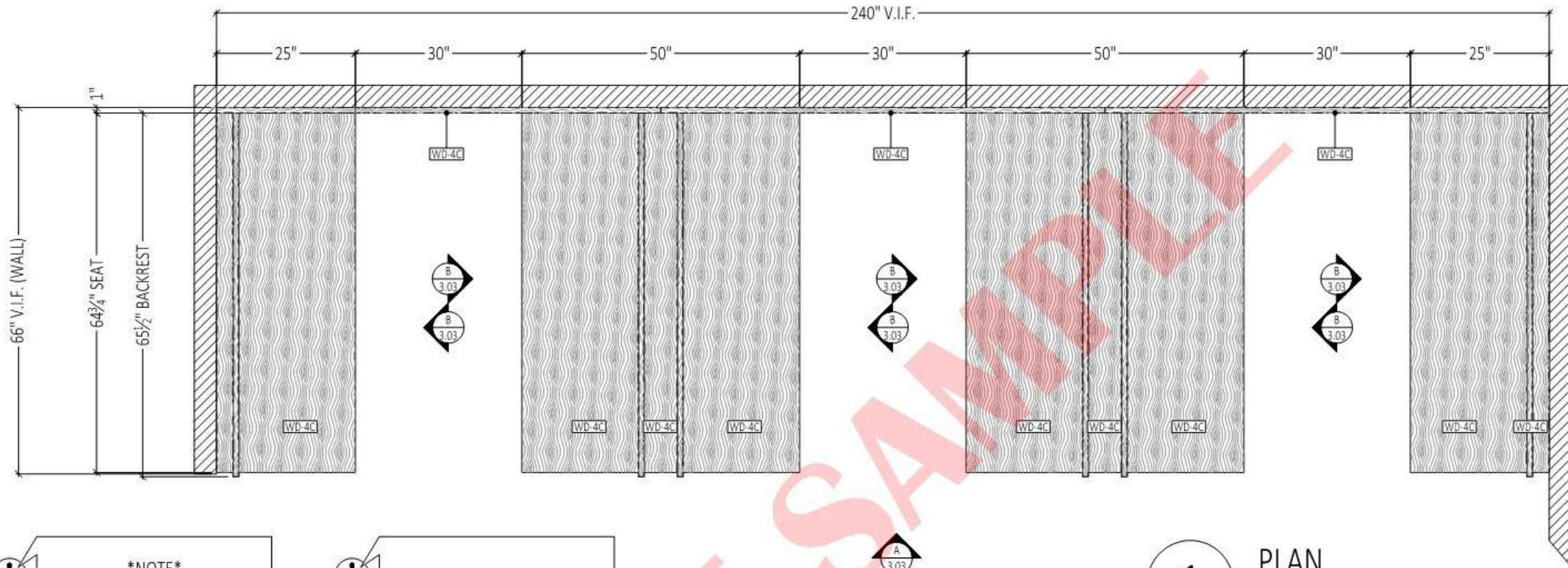
A2ZDRAFT.COM
1-855-999-0062

project:

PROJECT RETAIL
PROJECT RETAIL
PROJECT RETAIL

drawn by: ZD-EN

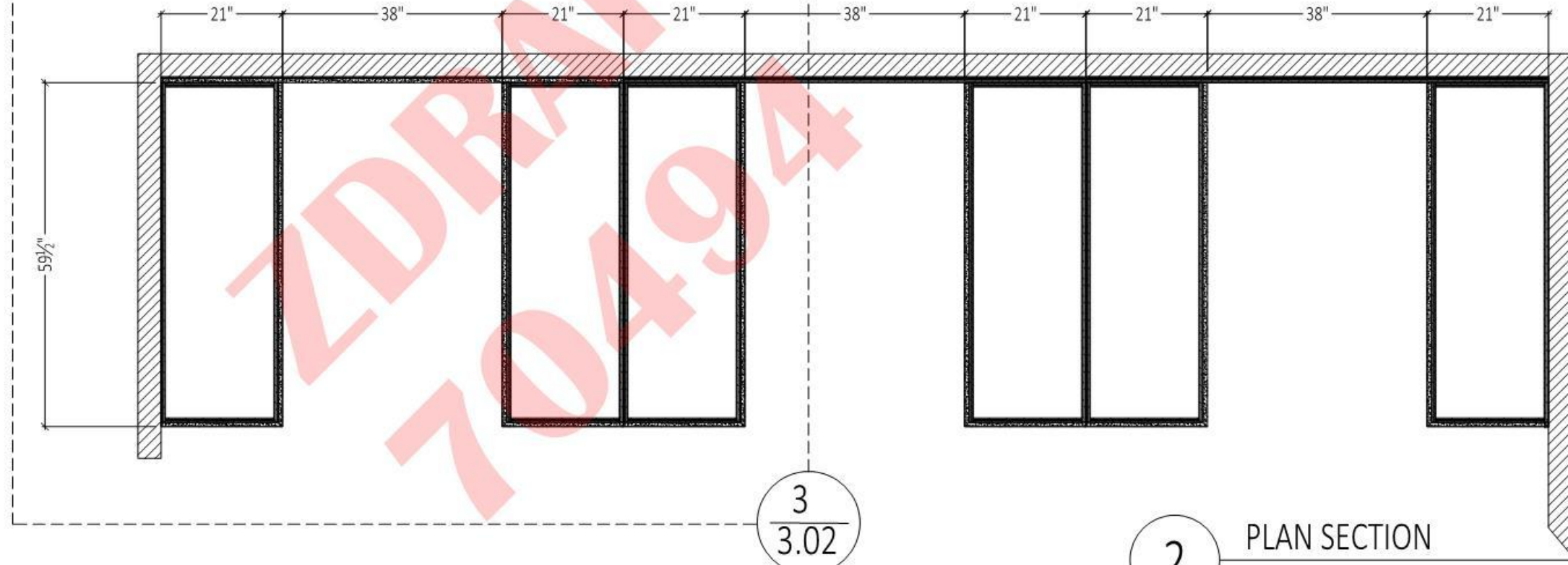
date	20-05-11	job#	70494
revisions		sheet	2.01



1 PLAN
LOUNGE SEATING
119
Scale: 1/2"=1'-0"
Arch. Ref. 12,17/l-3.6

NOTE
UPHOLSTERED SEAT
NOT SHOWN
(SEE ELEVATIONS & SECTIONS)
by FFE -DD/OS

NOTE
ALL EXPOSED WOOD
WD-4C



2 PLAN SECTION
LOUNGE SEATING
119
Scale: 1/2"=1'-0"
Arch. Ref. 12,17/l-3.6

LEGEND

- (01) Hardware Resources 154SS Bar Pull, SS Finish
- (02) Salice #H110C2J6A99, Series 200 Hinge, +110° Self Close
- (03) Salice Hinge Mntg. Plate
- (04) Blum Slide 563, Undermount Soft-close
- (05) 5mm Shelf Pin, Hafele 282.04.711, Nickel Plated
- (06) Richelieu Aluminum Edge Pull 98983310
- (08) Cabinet Lock: RICHELIEU #BP140001140
Opposing door thumb latch (not shown)
- (10) FastCap SpeedBrace Bracket;White; Size: V.I.F.
- (11) RICHELIEU - Triade 1621412G (Mod to fit)
C.W WEBKIT #1216866 (Drywall kit)
- (20) Z-Clip, Richelieu #5075070

- PL-1C Plastic Laminate, Pionite,
Upland Stone , MG160-W / Slate Fin
- PL-2C Plastic Laminate, Pionite,
First and Main / AG031, Suede Fin
- PL-3C Plastic Laminate, To Be Specified
- WD-4C BAMBOO PLYWOOD , Amber Edge Grain
- WD-6C Solid Oak - Match Approved Sample
- SS-1C CAESARSTONE, Clam Shell 4130 (3CM)
- ML-1 Melamine, White
- CL-1 Cabinet Liner

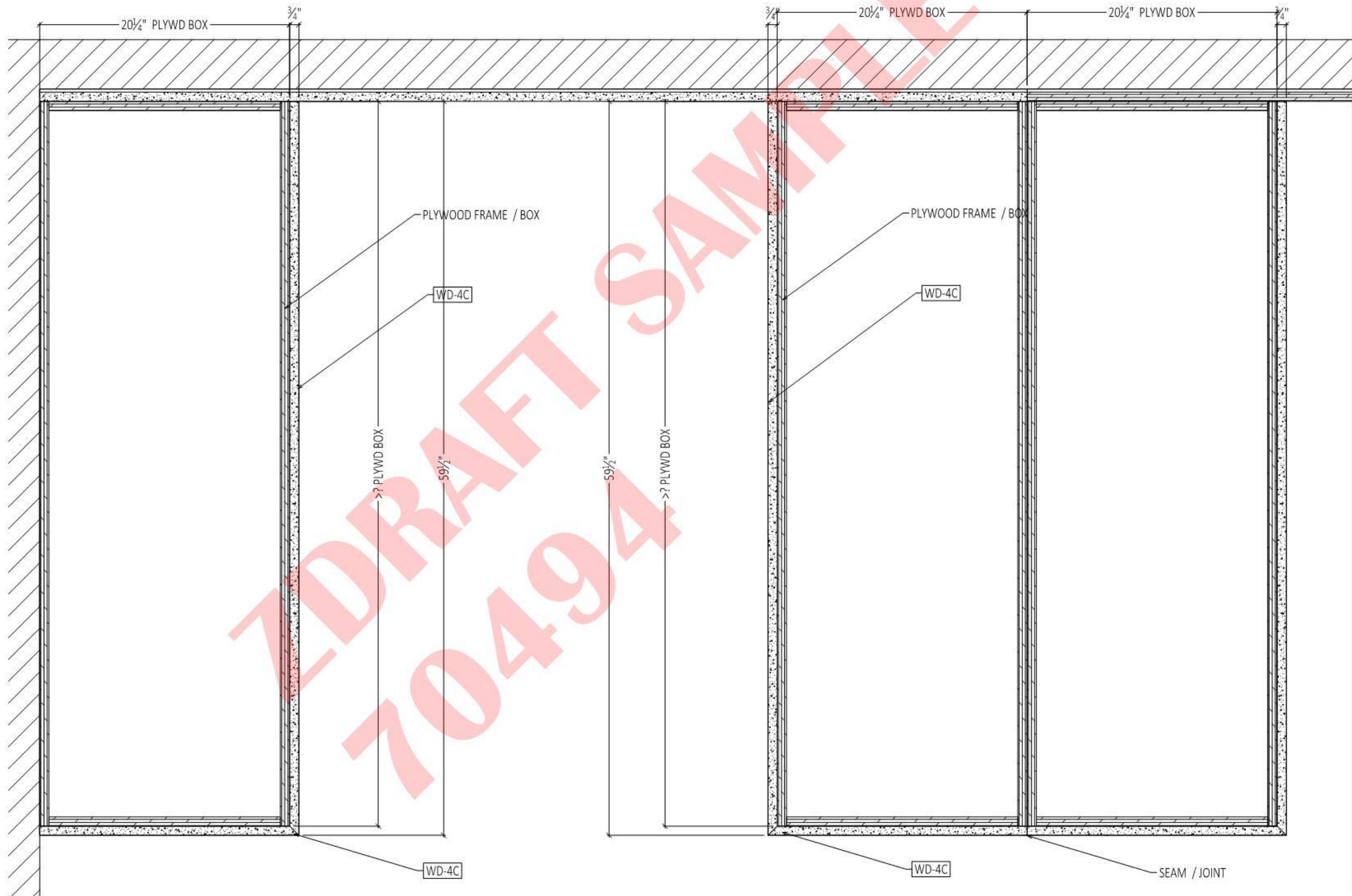
millwork/casework by:
A2DRAFT.COM
1-855-999-0062

project:
PROJECT RETAIL
PROJECT RETAIL
PROJECT RETAIL

drawn by: ZD-EN

date	20-08-24	job#	70494
revisions		sheet	3.01

3 PLAN-SECTION DETAIL
 LOUNGE SEATING
 119
 Scale: 1"=1'-0"
 Arch. Ref. 12,17/I-3.6



LEGEND

- 01 Hardware Resources 154SS Bar Pull, SS Finish
- 02 Salice #H110C2J6A99, Series 200 Hinge, +110° Self Close
- 03 Salice Hinge Mntg. Plate
- 04 Blum Slide 563, Undermount Soft-close
- 05 5mm Shelf Pin, Hafele 282.04.711, Nickel Plated
- 06 Richelieu Aluminum Edge Pull 98983310
- 08 Cabinet Lock: RICHIEU #BP140001140
Opposing door thumb latch (not shown)
- 10 FastCap SpeedBrace Bracket;White; Size: V.I.F.
- 11 RICHIEU - Triade 1621412G (Mod to fit)
C.W WEBKIT #1216866 (Drywall kit)
- 20 Z-Clip, Richelieu #5075070

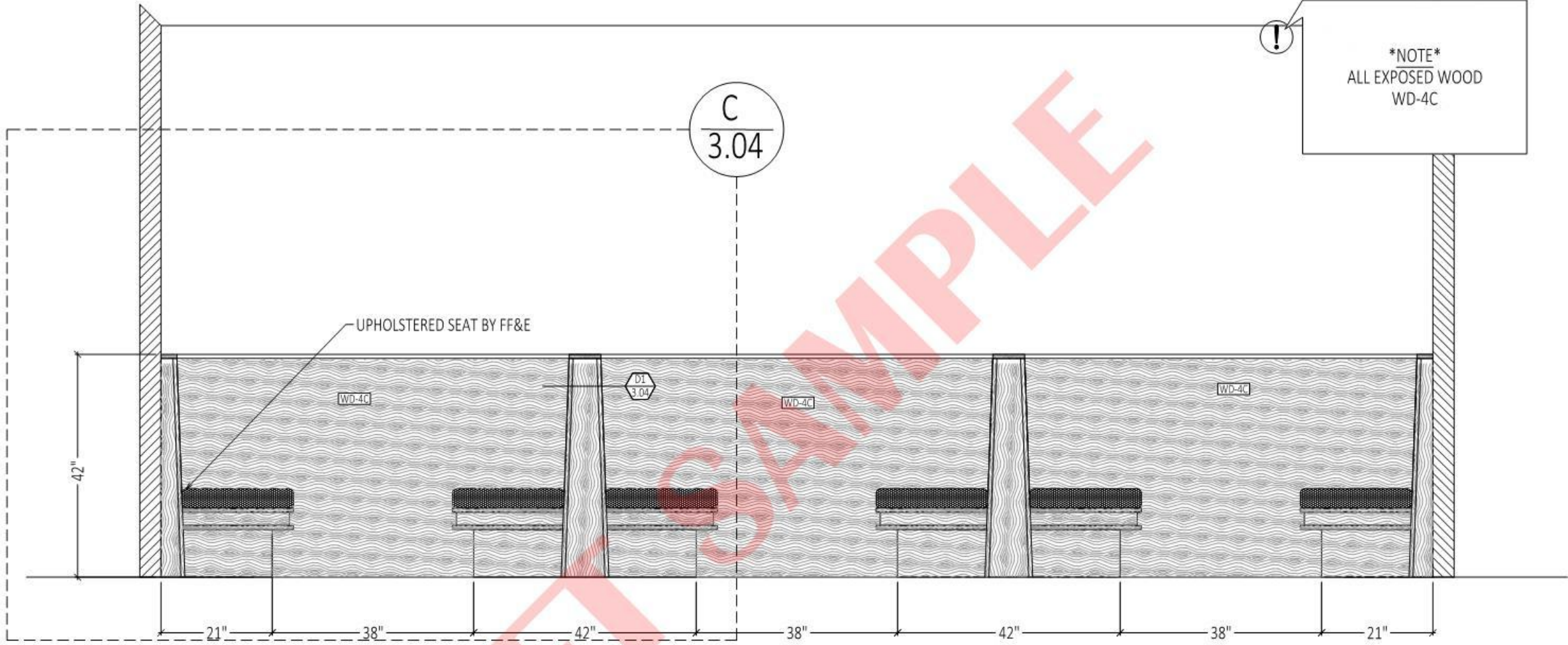
- PL-1C Plastic Laminate, Pionite,
Upland Stone , MG160-W / Slate Fin
- PL-2C Plastic Laminate, Pionite,
First and Main / AG031, Suede Fin
- PL-3C Plastic Laminate, To Be Specified
- WD-4C BAMBOO PLYWOOD , Amber Edge Grain
- WD-6C Solid Oak - Match Approved Sample
- SS-1C CAESARSTONE, Clam Shell 4130 (3CM)
- ML-1 Melamine, White
- CL-1 Cabinet Liner

millwork/casework by:
A2ZDRAFT.COM
 1-855-999-0062

project:
 PROJECT RETAIL
 PROJECT RETAIL
 PROJECT RETAIL

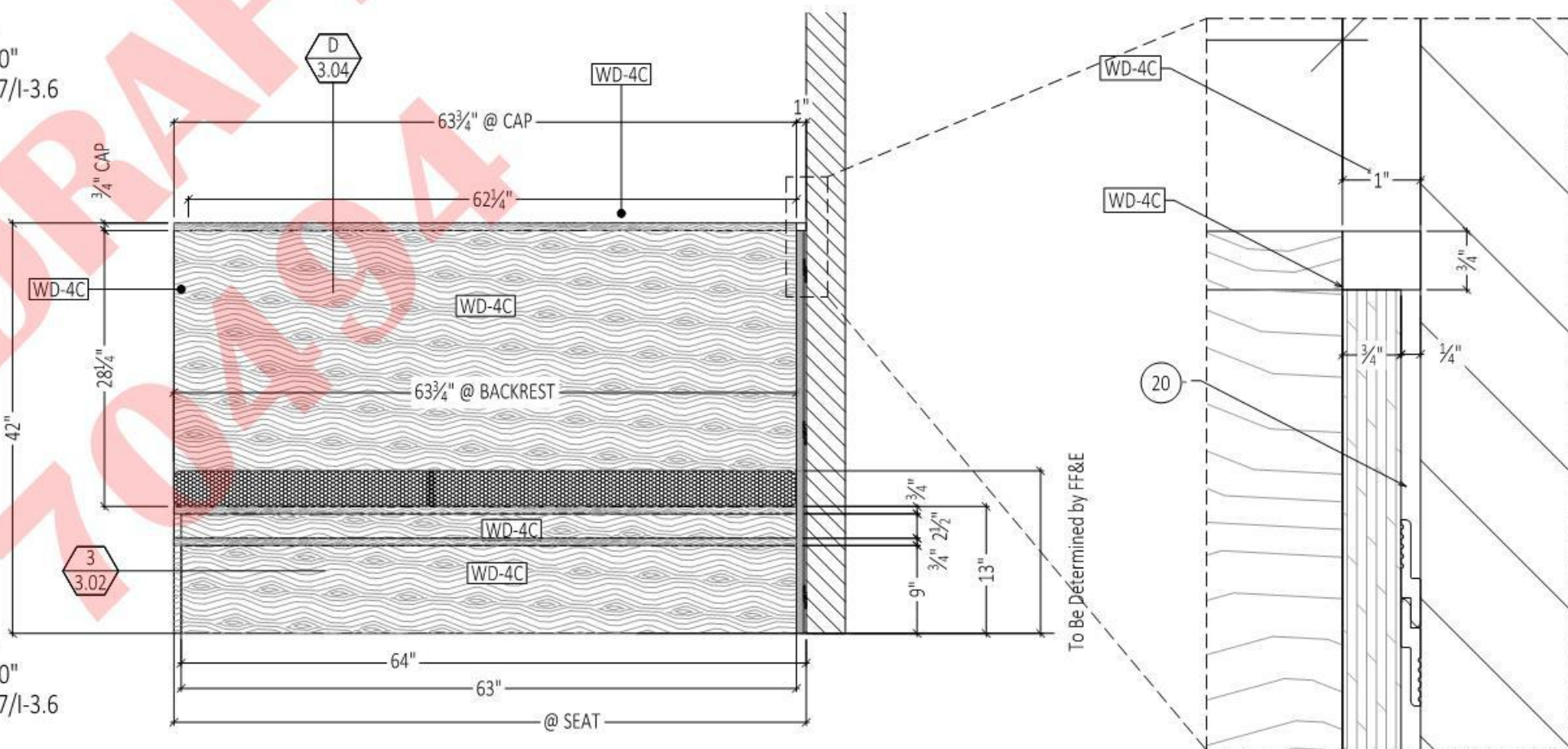
drawn by: ZD-EN

date	20-08-24	job#	70494
revisions		sheet	3.02



NOTE
ALL EXPOSED WOOD
WD-4C

A ELEVATION
LOUNGE SEATING 119
Scale: 1/2"=1'-0"
Arch. Ref. 12,17/I-3.6



B ELEVATION
LOUNGE SEATING 119
Scale: 1/2"=1'-0"
Arch. Ref. 12,17/I-3.6

LEGEND

- 01 Hardware Resources 154SS Bar Pull, SS Finish
- 02 Salice #H110C2J6A99, Series 200 Hinge, +110° Self Close
- 03 Salice Hinge Mntg. Plate
- 04 Blum Slide 563, Undermount Soft-close
- 05 5mm Shelf Pin, Hafele 282.04.711, Nickel Plated
- 06 Richelieu Aluminum Edge Pull 98983310
- 08 Cabinet Lock: RICHELIEU #BP140001140
Opposing door thumb latch (not shown)
- 10 FastCap SpeedBrace Bracket;White; Size: V.I.F.
- 11 RICHELIEU - Triade 1621412G (Mod to fit)
C.W WEBKIT #1216866 (Drywall kit)
- 20 Z-Clip, Richelieu #5075070

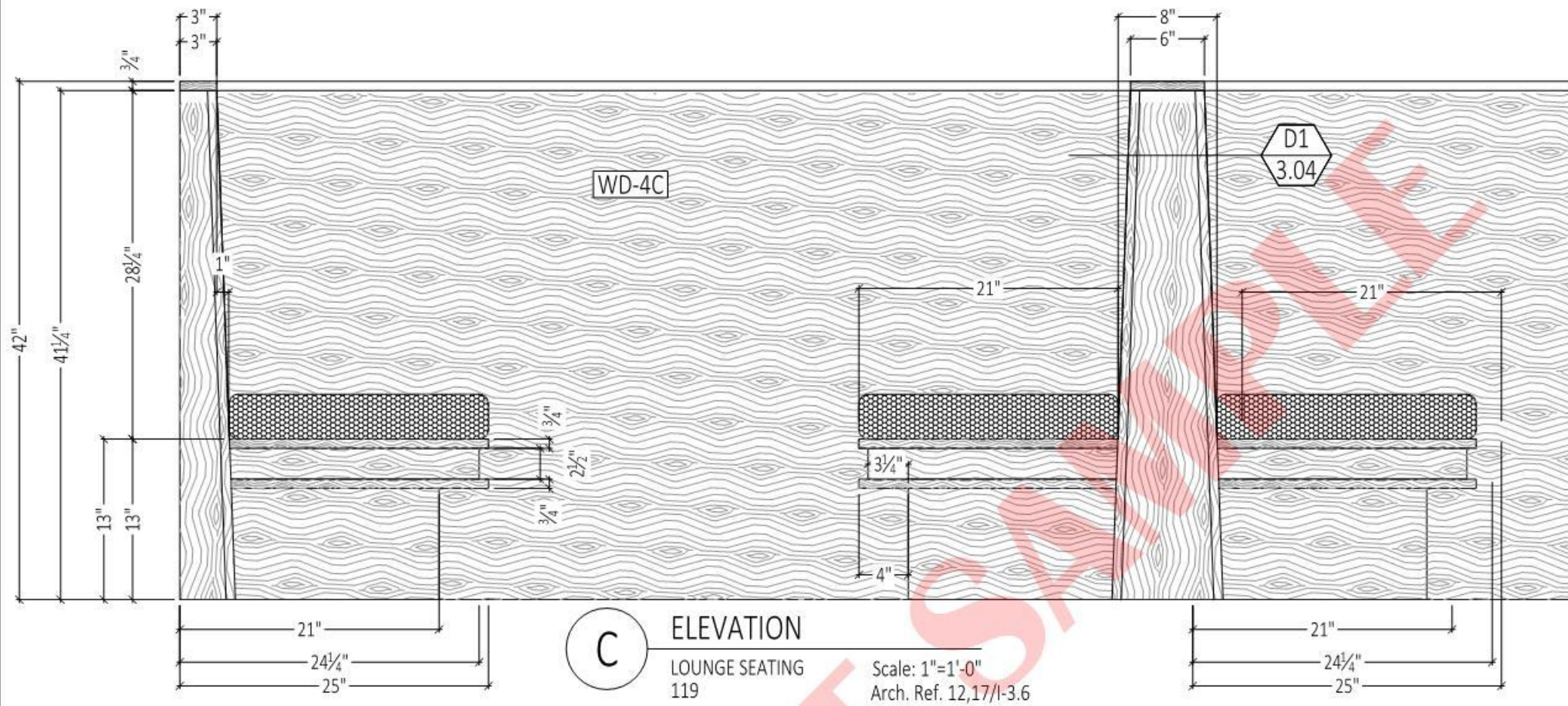
- PL-1C Plastic Laminate, Pionite,
Upland Stone , MG160-W / Slate Fin
- PL-2C Plastic Laminate, Pionite,
First and Main / AG031, Suede Fin
- PL-3C Plastic Laminate, To Be Specified
- WD-4C BAMBOO PLYWOOD , Amber Edge Grain
- WD-6C Solid Oak - Match Approved Sample
- SS-1C CAESARSTONE, Clam Shell 4130 (3CM)
- ML-1 Melamine, White
- CL-1 Cabinet Liner

millwork/casework by:
A2ZDRAFT.COM
1-855-999-0062

project:
PROJECT RETAIL
PROJECT RETAIL
PROJECT RETAIL

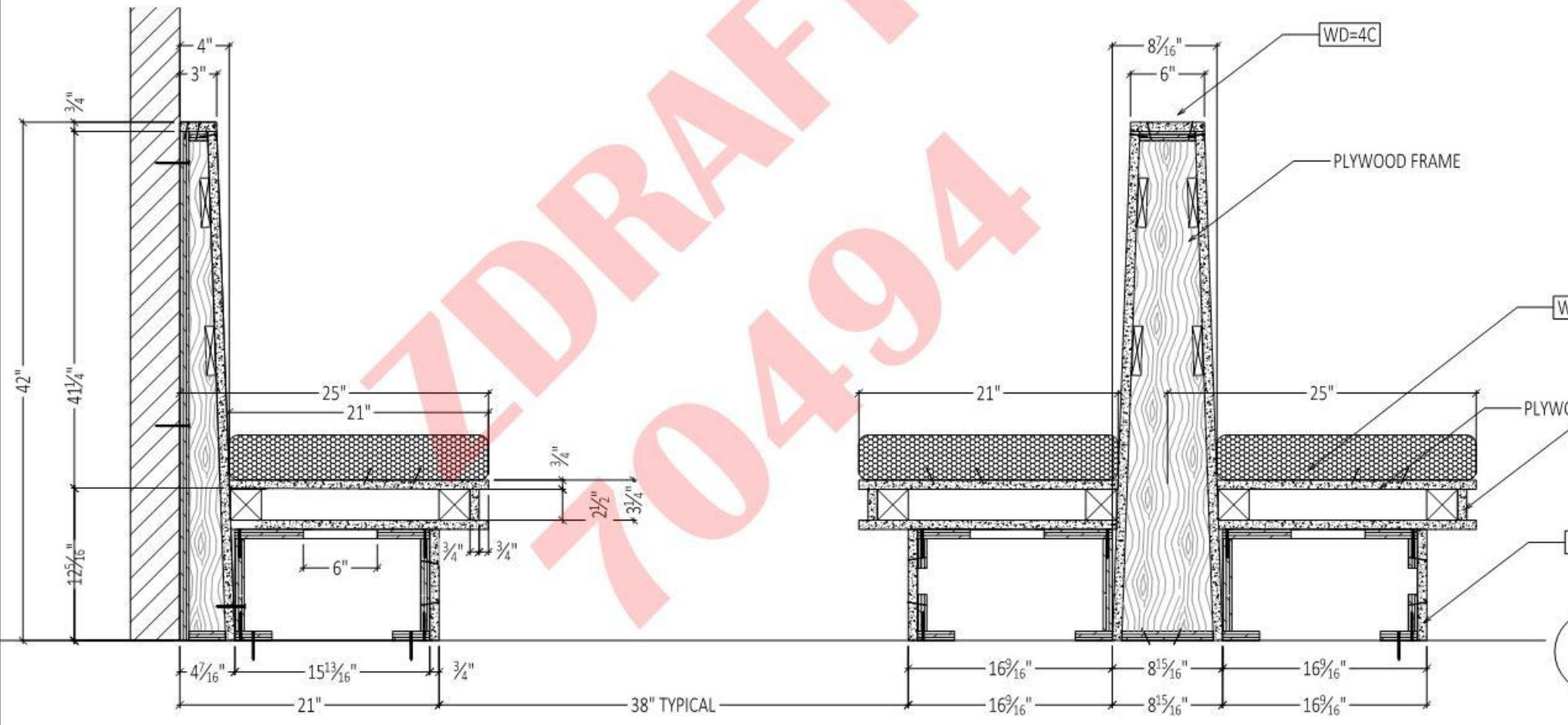
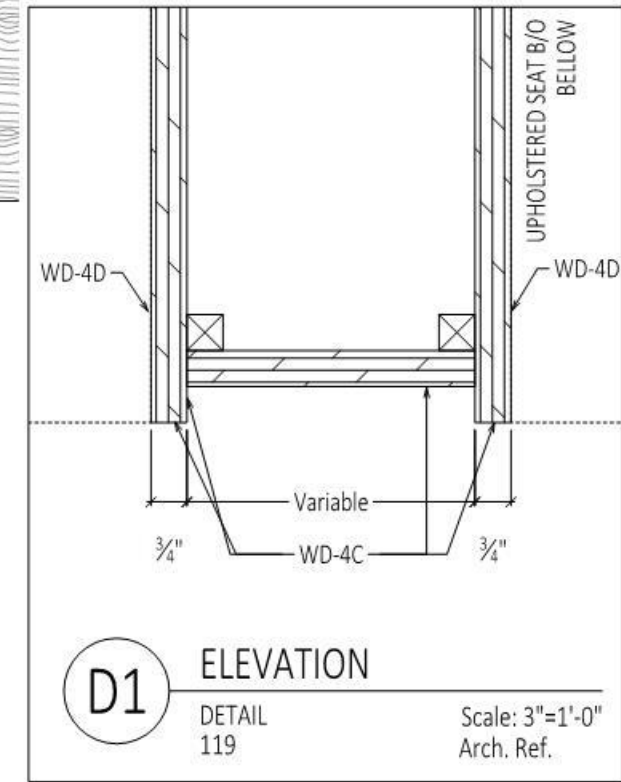
drawn by: ZD-EN

date	20-08-24	job#	70494
revisions		sheet	3.03

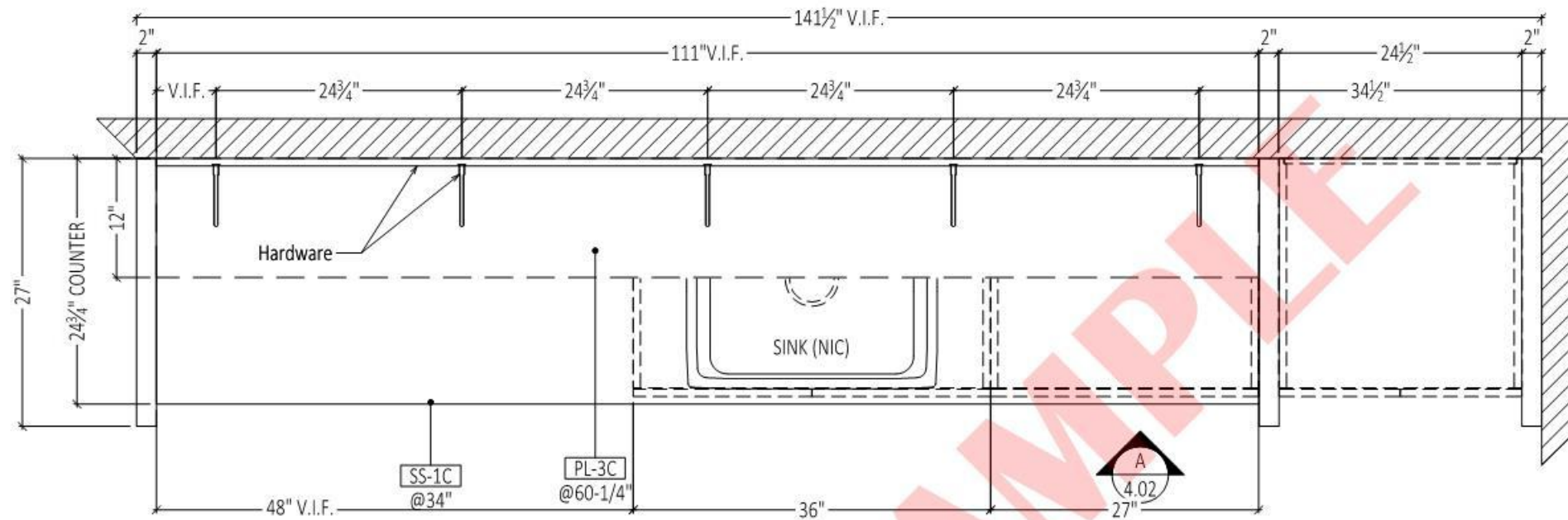


NOTE
ALL EXPOSED WOOD
WD-4C

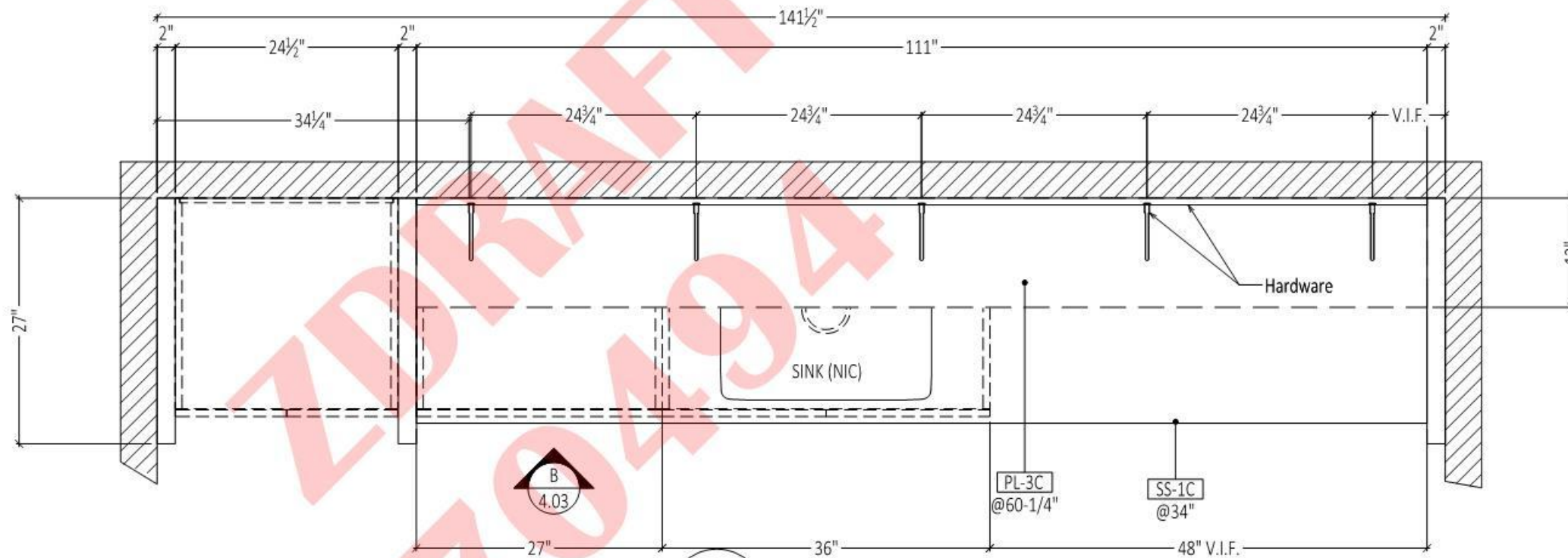
NOTE
SEAT CUSHIONS BY OTHERS



LEGEND			
01	Hardware Resources 154SS Bar Pull, SS Finish		
02	Salice #H110C2J6A99, Series 200 Hinge, +110° Self Close		
03	Salice Hinge Mntg. Plate		
04	Blum Slide 563, Undermount Soft-close		
05	5mm Shelf Pin, Hafele 282.04.711, Nickel Plated		
06	Richelieu Aluminum Edge Pull 98983310		
08	Cabinet Lock: RICHELIEU #BP140001140 Opposing door thumb latch (not shown)		
10	FastCap SpeedBrace Bracket;White; Size: V.I.F.		
11	RICHELIEU - Triade 1621412G (Mod to fit) C.W WEBKIT #1216866 (Drywall kit)		
20	Z-Clip, Richelieu #5075070		
PL-1C	Plastic Laminate, Pionite, Upland Stone , MG160-W / Slate Fin		
PL-2C	Plastic Laminate, Pionite, First and Main / AG031, Suede Fin		
PL-3C	Plastic Laminate, To Be Specified		
WD-4C	BAMBOO PLYWOOD , Amber Edge Grain		
WD-6C	Solid Oak - Match Approved Sample		
SS-1C	CAESARSTONE, Clam Shell 4130 (3CM)		
ML-1	Melamine, White		
CL-1	Cabinet Liner		
millwork/casework by:			
A2ZDRAFT.COM			
1-855-999-0062			
project:			
PROJECT RETAIL			
PROJECT RETAIL			
PROJECT RETAIL			
drawn by: ZD-EN			
date	20-08-24	job#	70494
revisions		sheet	3.04



1 PLAN
 COMMUNITY ROOM 778 Scale: 3/4"=1'-0"
 Arch. Ref. 1,216/l-3.11



2 PLAN
 COMMUNITY ROOM 778 Scale: 3/4"=1'-0"
 Arch. Ref. 1,2,6/l-3.11

LEGEND

- (01) Hardware Resources 154SS Bar Pull, SS Finish
- (02) Salice #H110C2J6A99, Series 200 Hinge, +110° Self Close
- (03) Salice Hinge Mntg. Plate
- (04) Blum Slide 563, Undermount Soft-close
- (05) 5mm Shelf Pin, Hafele 282.04.711, Nickel Plated
- (06) Richelieu Aluminum Edge Pull 98983310
- (08) Cabinet Lock: RICHELIEU #BP140001140
Opposing door thumb latch (not shown)
- (10) FastCap SpeedBrace Bracket;White; Size: V.I.F.
- (11) RICHELIEU - Triade 1621412G (Mod to fit)
C.W. WEBKIT #1216866 (Drywall kit)
- (20) Z-Clip, Richelieu #5075070

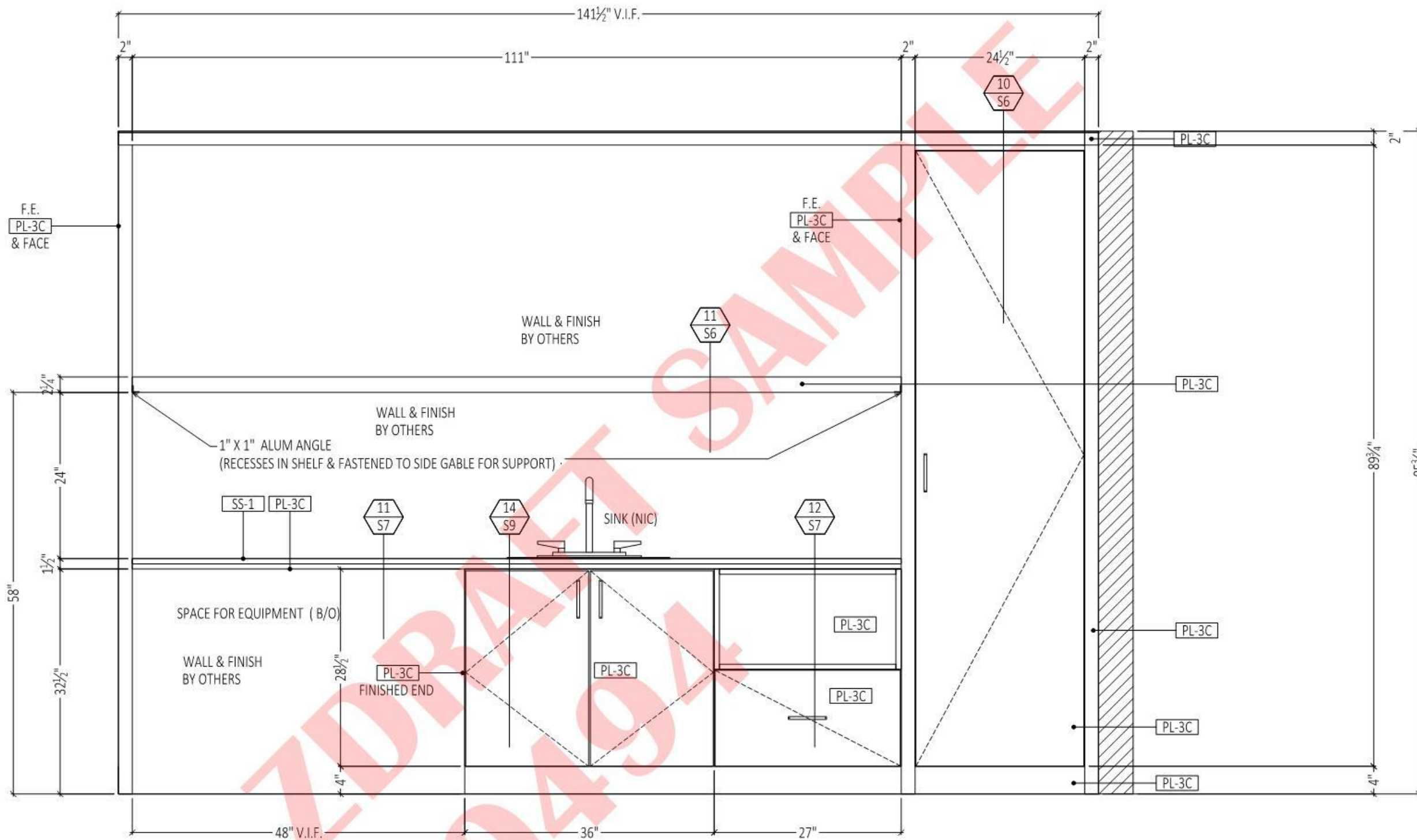
- PL-1C Plastic Laminate, Pionite,
Upland Stone , MG160-W / Slate Fin
- PL-2C Plastic Laminate, Pionite,
First and Main / AG031, Suede Fin
- PL-3C Plastic Laminate, To Be Specified
- WD-4C BAMBOO PLYWOOD , Amber Edge Grain
- WD-6C Solid Oak - Match Approved Sample
- SS-1C CAESARSTONE, Clam Shell 4130 (3CM)
- ML-1 Melamine, White
- CL-1 Cabinet Liner

millwork/casework by:
A2ZDRAFT.COM
 1-855-999-0062

project:
 PROJECT RETAIL
 PROJECT RETAIL
 PROJECT RETAIL

drawn by: ZD-EN

date	20-05-11	job#	70494
revisions		sheet	4.01



A ELEVATION
 COMMUNITY ROOM 778 Scale: 3/4"=1'-0"
 Arch. Ref. 1,216/I-3.11

LEGEND

- (01) Hardware Resources 154SS Bar Pull, SS Finish
- (02) Salice #H110C2J6A99, Series 200 Hinge, +110° Self Close
- (03) Salice Hinge Mntg. Plate
- (04) Blum Slide 563, Undermount Soft-close
- (05) 5mm Shelf Pin, Hafele 282.04.711, Nickel Plated
- (06) Richelieu Aluminum Edge Pull 98983310
- (08) Cabinet Lock: RICHELIEU #BP140001140
Opposing door thumb latch (not shown)
- (10) FastCap SpeedBrace Bracket;White; Size: V.I.F.
- (11) RICHELIEU - Triade 1621412G (Mod to fit)
C.W WEBKIT #1216866 (Drywall kit)
- (20) Z-Clip, Richelieu #5075070

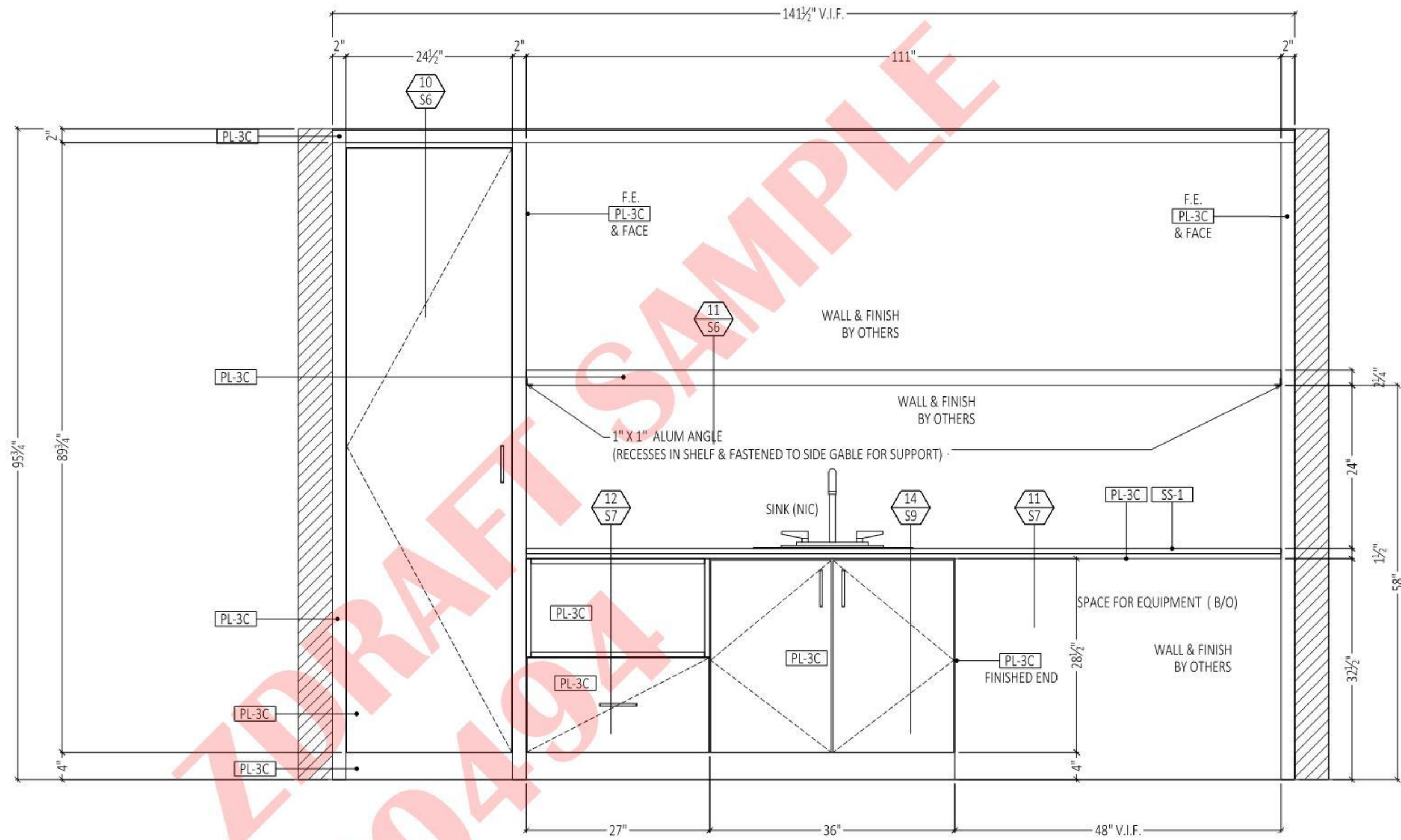
- PL-1C Plastic Laminate, Pionite,
Upland Stone , MG160-W / Slate Fin
- PL-2C Plastic Laminate, Pionite,
First and Main / AG031, Suede Fin
- PL-3C Plastic Laminate, To Be Specified
- WD-4C BAMBOO PLYWOOD , Amber Edge Grain
- WD-6C Solid Oak - Match Approved Sample
- SS-1C CAESARSTONE, Clam Shell 4130 (3CM)
- ML-1 Melamine, White
- CL-1 Cabinet Liner

millwork/casework by:
A2ZDRAFT.COM
 1-855-999-0062

project:
 PROJECT RETAIL
 PROJECT RETAIL
 PROJECT RETAIL

drawn by: ZD-EN

date	20-05-11	job#	70494
revisions		sheet	4.02



B ELEVATION
 COMMUNITY ROOM 778 Scale: 3/4"=1'-0"
 Arch. Ref. 1,216/1-3.11

LEGEND

- 01 Hardware Resources 154SS Bar Pull, SS Finish
- 02 Salice #H110C2J6A99, Series 200 Hinge, +110° Self Close
- 03 Salice Hinge Mntg. Plate
- 04 Blum Slide 563, Undermount Soft-close
- 05 5mm Shelf Pin, Hafele 282.04.711, Nickel Plated
- 06 Richelieu Aluminum Edge Pull 98983310
- 08 Cabinet Lock: RICHELIEU #BP140001140
Opposing door thumb latch (not shown)
- 10 FastCap SpeedBrace Bracket;White; Size: V.I.F.
- 11 RICHELIEU - Triade 1621412G (Mod to fit)
C.W WEBKIT #1216866 (Drywall kit)
- 20 Z-Clip, Richelieu #5075070

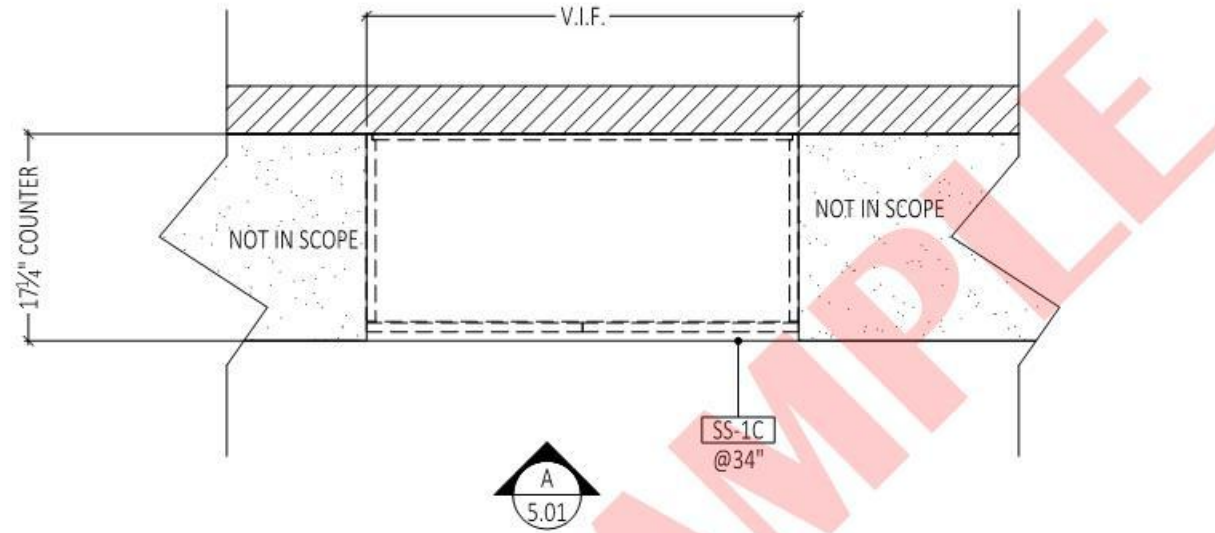
- PL-1C Plastic Laminate, Pionite,
Upland Stone , MG160-W / Slate Fin
- PL-2C Plastic Laminate, Pionite,
First and Main / AG031, Suede Fin
- PL-3C Plastic Laminate, To Be Specified
- WD-4C BAMBOO PLYWOOD , Amber Edge Grain
- WD-6C Solid Oak - Match Approved Sample
- SS-1C CAESARSTONE, Clam Shell 4130 (3CM)
- ML-1 Melamine, White
- CL-1 Cabinet Liner

millwork/casework by:
A2ZDRAFT.COM
 1-855-999-0062

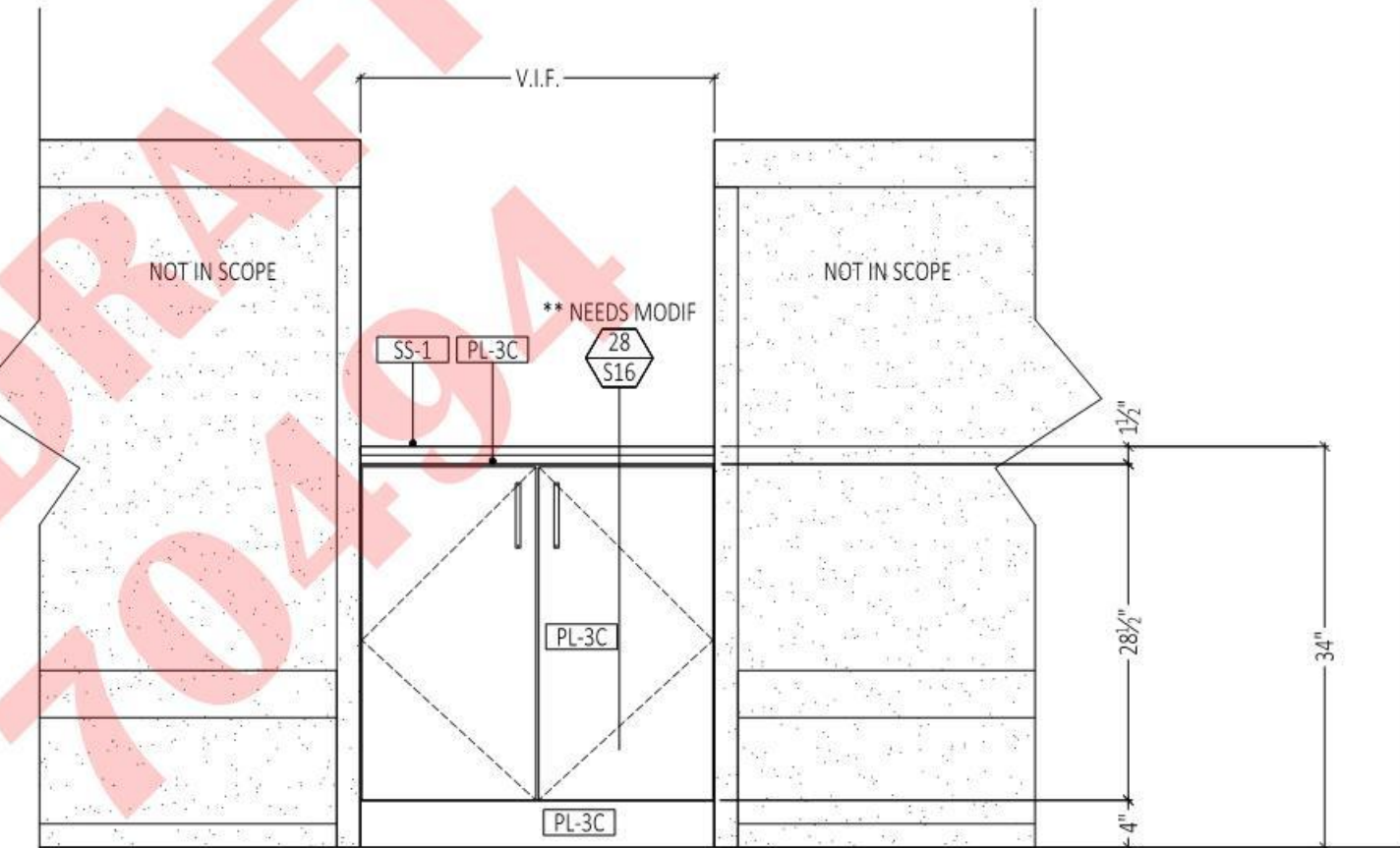
project:
 PROJECT RETAIL
 PROJECT RETAIL
 PROJECT RETAIL

drawn by: ZD-EN

date	20-05-11	job#	70494
revisions		sheet	4.03



1 PLAN
 RECYCLE COUNTER / ABM Scale: 3/4"=1'-0"
 Arch. Ref. 22/I-3.7



A ELEVATION
 RECYCLE COUNTER / ABM Scale: 3/4"=1'-0"
 Arch. Ref. 22/I-3.7

LEGEND

- 01 Hardware Resources 154SS Bar Pull, SS Finish
- 02 Salice #H110C2J6A99, Series 200 Hinge, +110° Self Close
- 03 Salice Hinge Mntg. Plate
- 04 Blum Slide 563, Undermount Soft-close
- 05 5mm Shelf Pin, Hafele 282.04.711, Nickel Plated
- 06 Richelieu Aluminum Edge Pull 98983310
- 08 Cabinet Lock: RICHELIEU #BP140001140
Opposing door thumb latch (not shown)
- 10 FastCap SpeedBrace Bracket;White; Size: V.I.F.
- 11 RICHELIEU - Triade 1621412G (Mod to fit)
C.W WEBKIT #1216866 (Drywall kit)
- 20 Z-Clip, Richelieu #5075070

- PL-1C Plastic Laminate, Pionite,
Upland Stone , MG160-W / Slate Fin
- PL-2C Plastic Laminate, Pionite,
First and Main / AG031, Suede Fin
- PL-3C Plastic Laminate, To Be Specified
- WD-4C BAMBOO PLYWOOD , Amber Edge Grain
- WD-6C Solid Oak - Match Approved Sample
- SS-1C CAESARSTONE, Clam Shell 4130 (3CM)
- ML-1 Melamine, White
- CL-1 Cabinet Liner

millwork/casework by:
A2ZDRAFT.COM
 1-855-999-0062

project:
 PROJECT RETAIL
 PROJECT RETAIL
 PROJECT RETAIL

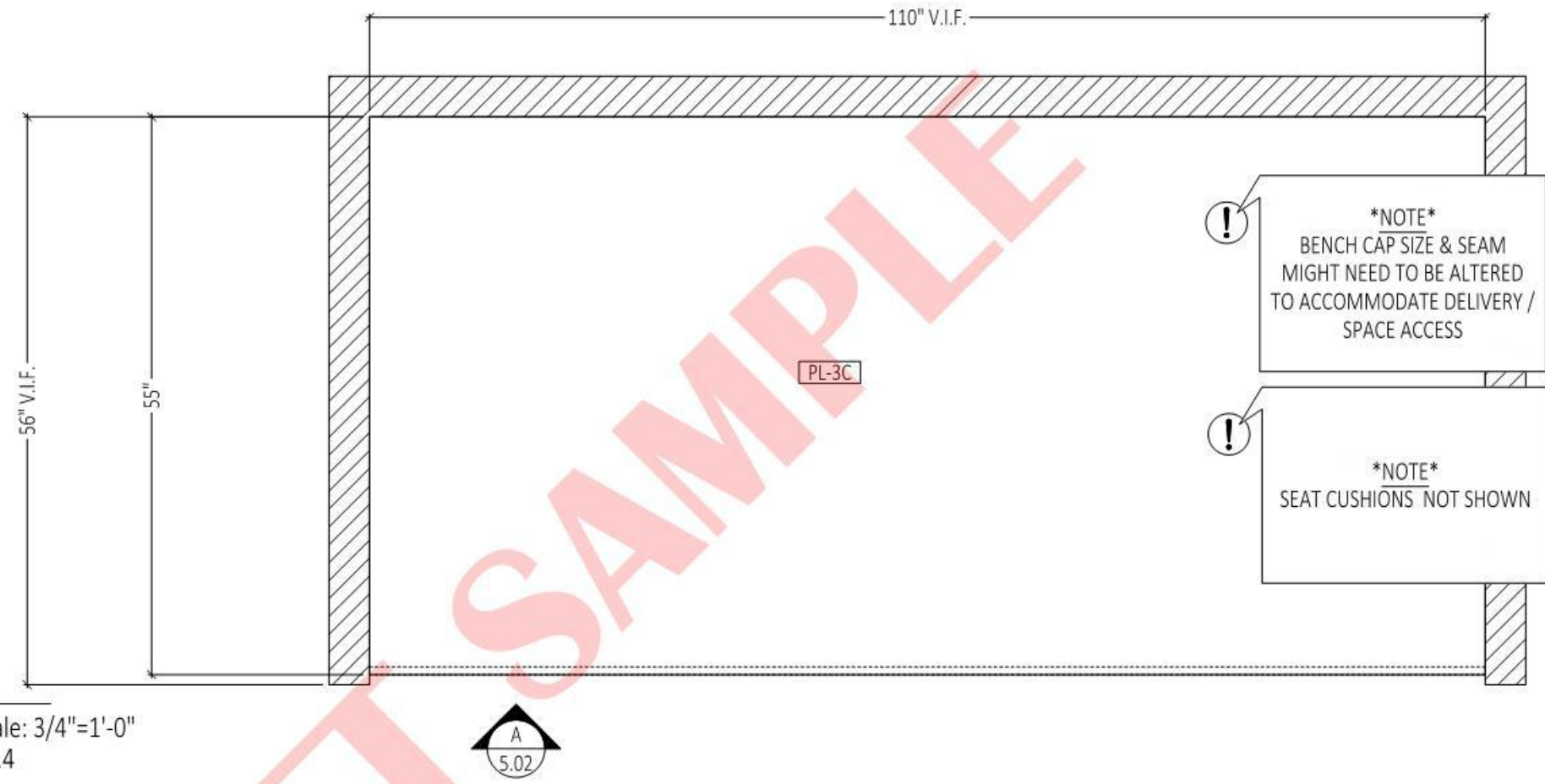
drawn by: ZD-EN

date	20-05-11	job#	70494
revisions		sheet	5.01

1

PLAN

TENANT AMENITY 135 Scale: 3/4"=1'-0"
Arch. Ref. 28/l-3.4



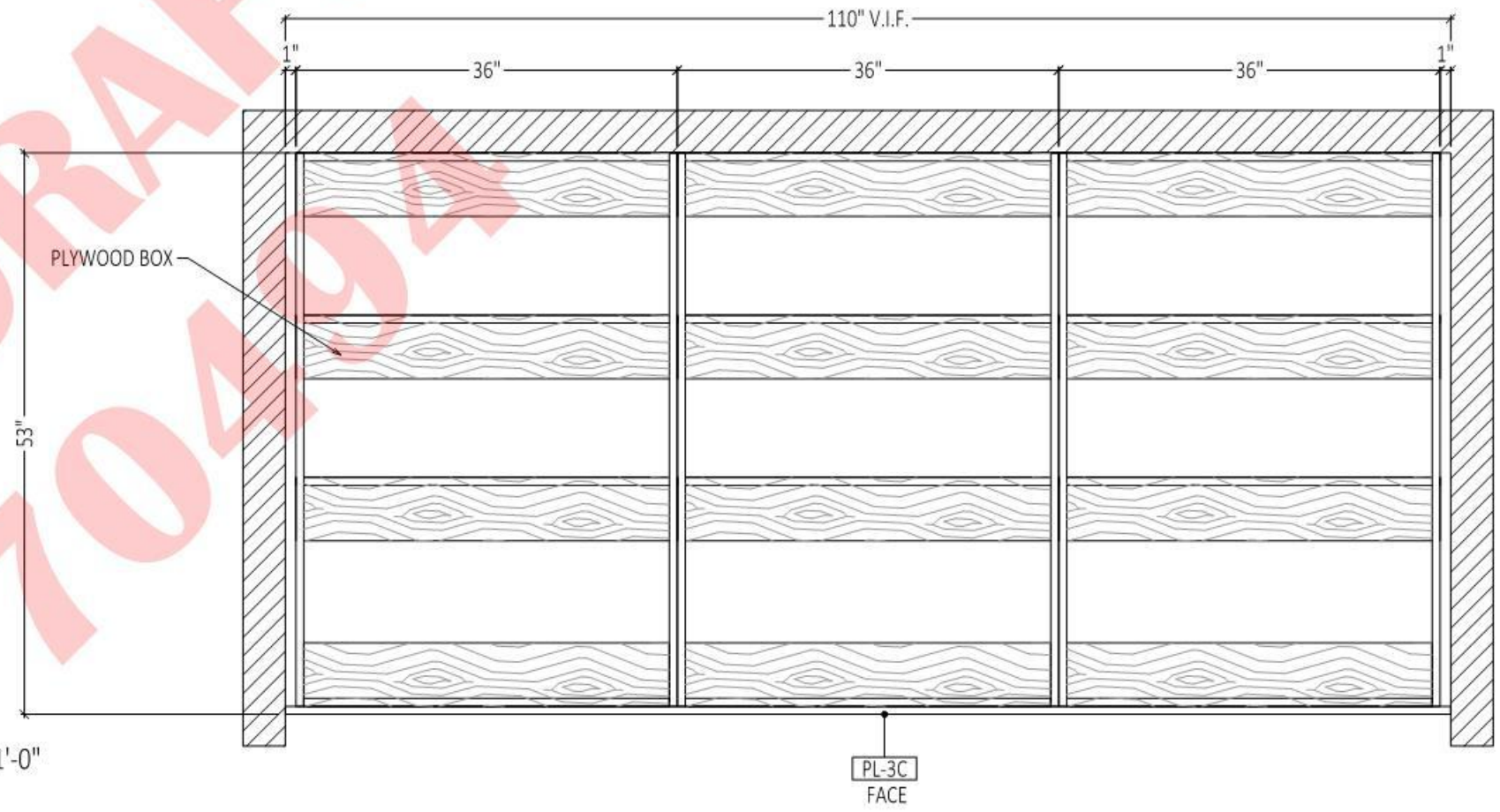
NOTE
BENCH CAP SIZE & SEAM
MIGHT NEED TO BE ALTERED
TO ACCOMMODATE DELIVERY /
SPACE ACCESS

NOTE
SEAT CUSHIONS NOT SHOWN

2

PLAN SECTION AT BOX

TENANT AMENITY 135 Scale: 3/4"=1'-0"
Arch. Ref. 28/l-3.4



LEGEND

- 01 Hardware Resources 154SS Bar Pull, SS Finish
- 02 Salice #H110C2J6A99, Series 200 Hinge, +110° Self Close
- 03 Salice Hinge Mntg. Plate
- 04 Blum Slide 563, Undermount Soft-close
- 05 5mm Shelf Pin, Hafele 282.04.711, Nickel Plated
- 06 Richelieu Aluminum Edge Pull 98983310
- 08 Cabinet Lock: RICHELIEU #BP140001140
Opposing door thumb latch (not shown)
- 10 FastCap SpeedBrace Bracket;White; Size: V.I.F.
- 11 RICHELIEU - Triade 1621412G (Mod to fit)
C.W WEBKIT #1216866 (Drywall kit)
- 20 Z-Clip, Richelieu #5075070

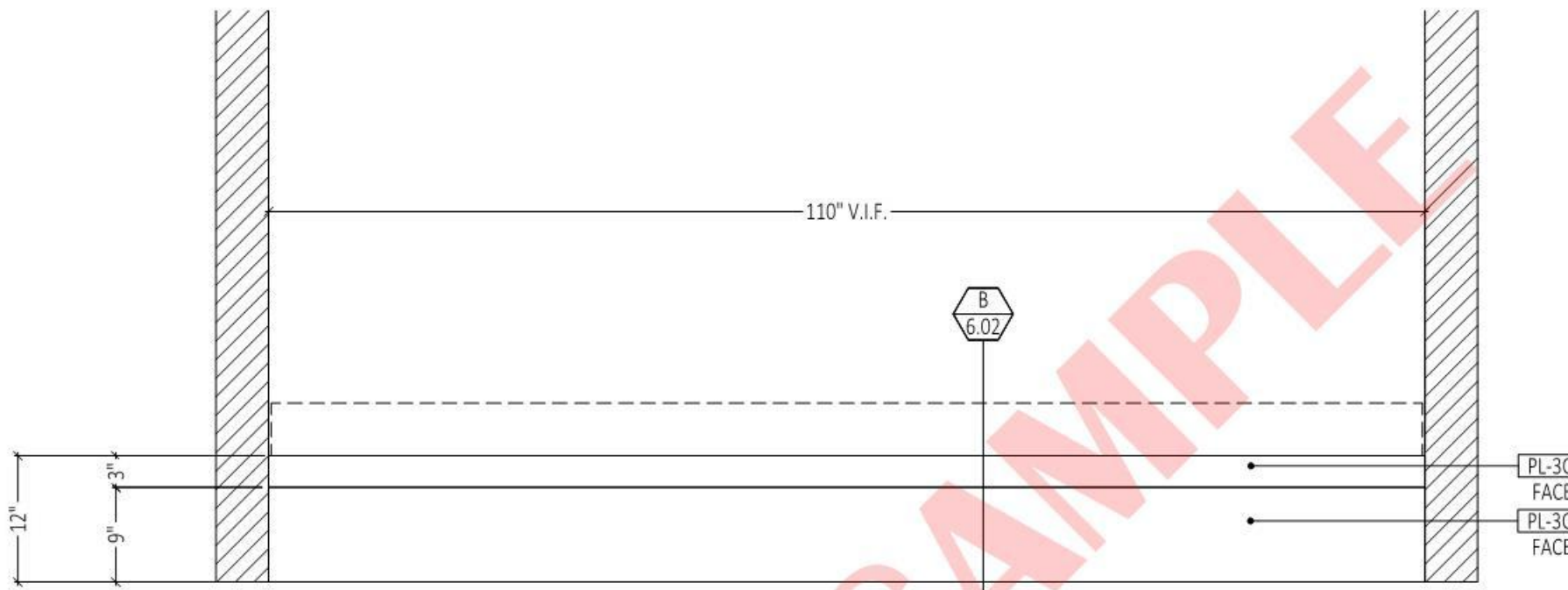
- PL-1C Plastic Laminate, Pionite,
Upland Stone , MG160-W / Slate Fin
- PL-2C Plastic Laminate, Pionite,
First and Main / AG031, Suede Fin
- PL-3C Plastic Laminate, To Be Specified
- WD-4C BAMBOO PLYWOOD , Amber Edge Grain
- WD-6C Solid Oak - Match Approved Sample
- SS-1C CAESARSTONE, Clam Shell 4130 (3CM)
- ML-1 Melamine, White
- CL-1 Cabinet Liner

millwork/casework by:
A2ZDRAFT.COM
1-855-999-0062

project:
PROJECT RETAIL
PROJECT RETAIL
PROJECT RETAIL

drawn by: ZD-EN

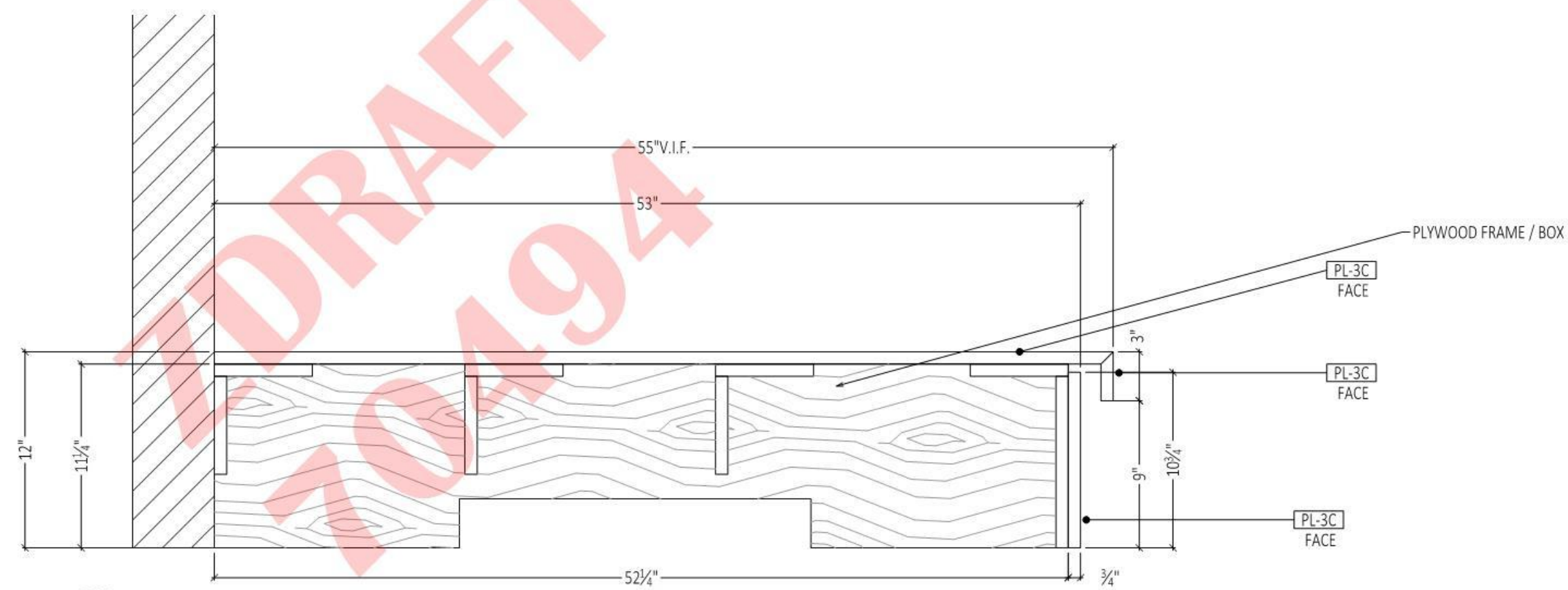
date	20-05-11	job#	70494
revisions		sheet	6.01



NOTE
BENCH CAP SIZE & SEAM
MIGHT NEED TO BE ALTERED
TO ACCOMMODATE DELIVERY /
SPACE ACCESS

NOTE
SEAT CUSHIONS :
* MIGHT NOT BE SHOWN
* BY OTHERS

A ELEVATION
TENANT AMENITY 135 Scale: 3/4"=1'-0"
Arch. Ref. 28/I-3.4



B SECTION
TENANT AMENITY 135 Scale: 1-1/2"=1'-0"
Arch. Ref. 28/I-3.4

LEGEND

- (01) Hardware Resources 154SS Bar Pull, SS Finish
- (02) Salice #H110C2J6A99, Series 200 Hinge, +110° Self Close
- (03) Salice Hinge Mntg. Plate
- (04) Blum Slide 563, Undermount Soft-close
- (05) 5mm Shelf Pin, Hafele 282.04.711, Nickel Plated
- (06) Richelieu Aluminum Edge Pull 98983310
- (08) Cabinet Lock: RICHELIEU #BP140001140
Opposing door thumb latch (not shown)
- (10) FastCap SpeedBrace Bracket;White; Size: V.I.F.
- (11) RICHELIEU - Triade 1621412G (Mod to fit)
C.W WEBKIT #1216866 (Drywall kit)
- (20) Z-Clip, Richelieu #5075070

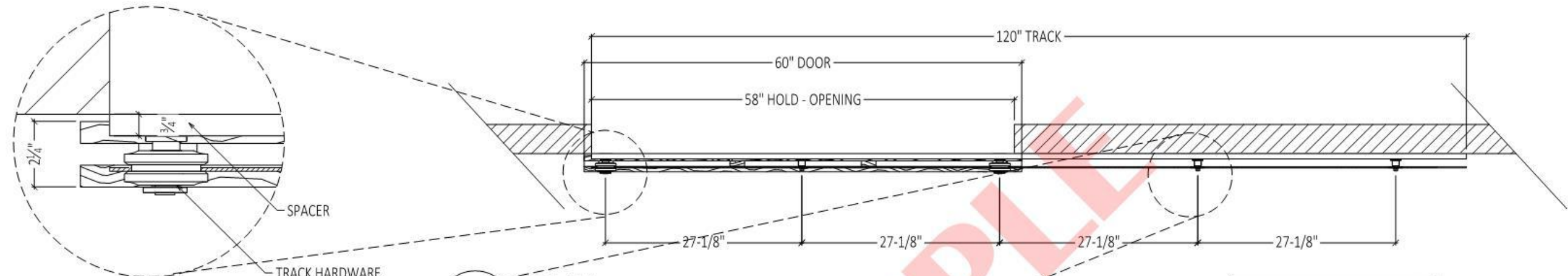
- PL-1C Plastic Laminate, Pionite,
Upland Stone , MG160-W / Slate Fin
- PL-2C Plastic Laminate, Pionite,
First and Main / AG031, Suede Fin
- PL-3C Plastic Laminate, To Be Specified
- WD-4C BAMBOO PLYWOOD , Amber Edge Grain
- WD-6C Solid Oak - Match Approved Sample
- SS-1C CAESARSTONE, Clam Shell 4130 (3CM)
- ML-1 Melamine, White
- CL-1 Cabinet Liner

millwork/casework by:
A2ZDRAFT.COM
1-855-999-0062

project:
PROJECT RETAIL
PROJECT RETAIL
PROJECT RETAIL

drawn by: ZD-EN

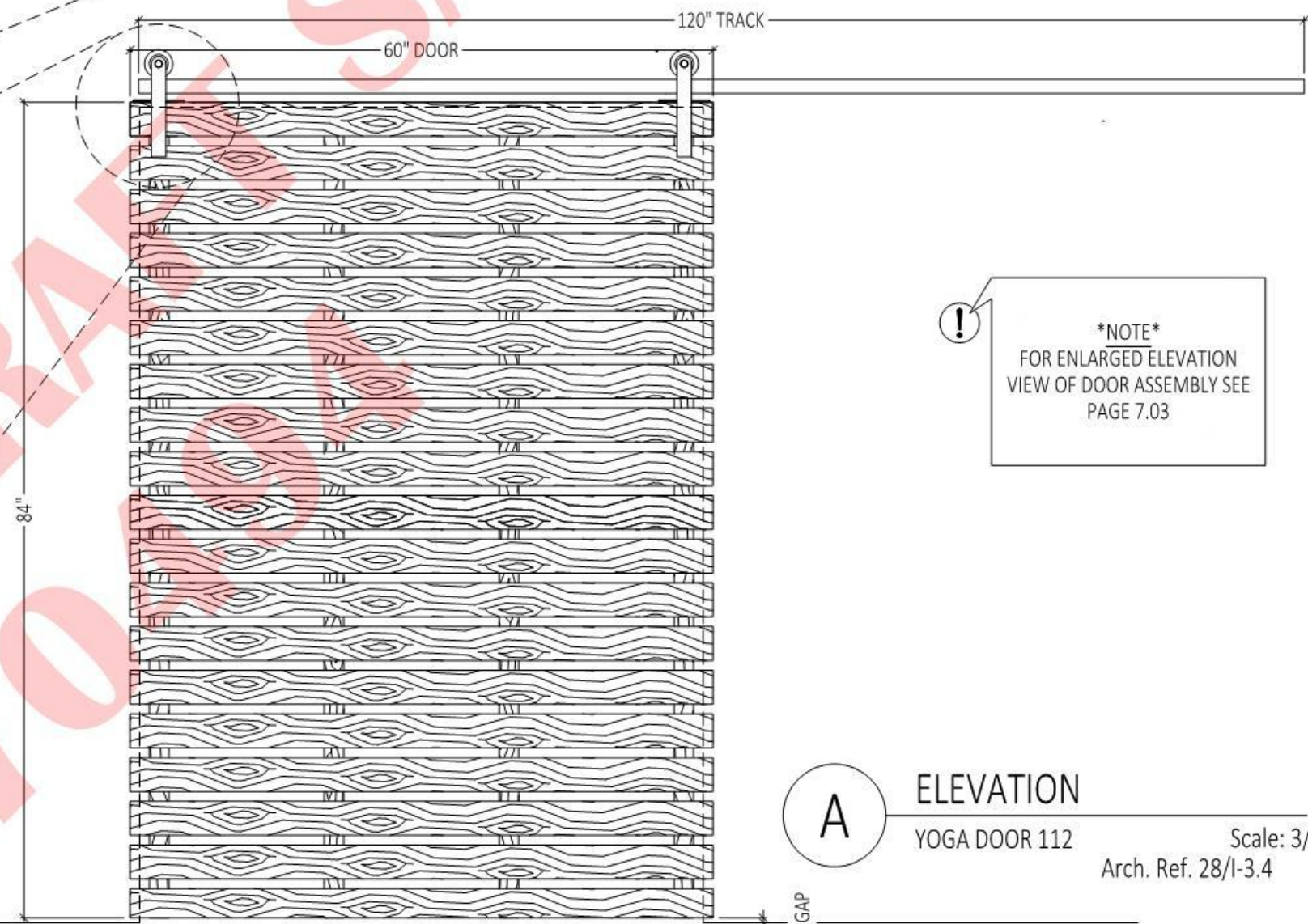
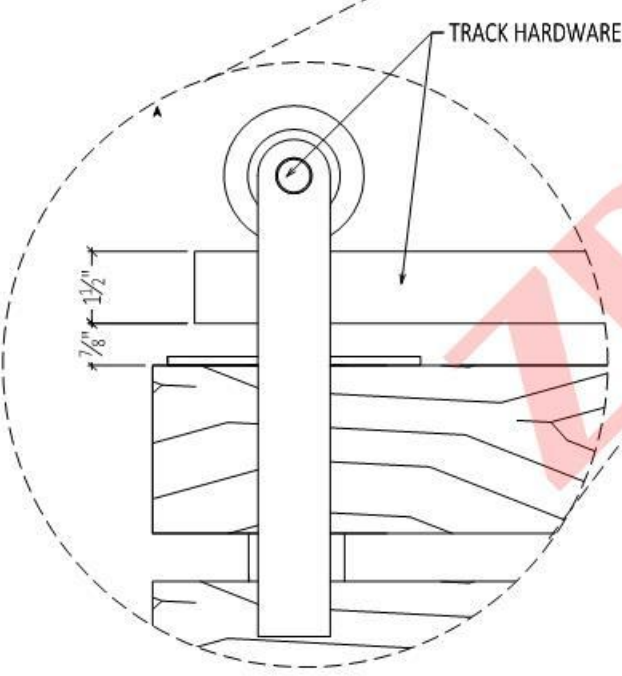
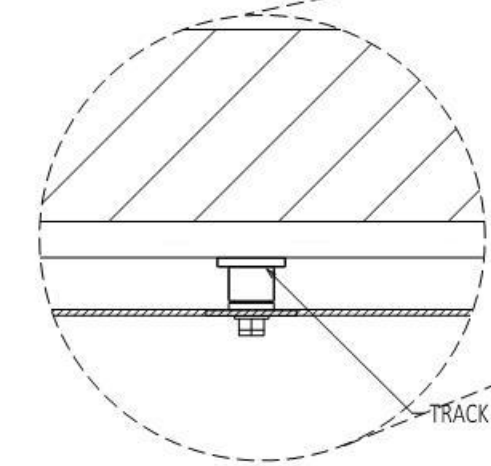
date	20-05-11	job#	70494
revisions		sheet	6.02



1 PLAN
 YOGA DOOR 112
 Arch. Ref. 29/I-3.8
 Scale: 3/4"=1'-0"



! *NOTE*
 FOR ENLARGED PLAN VIEW OF
 DOOR ASSEMBLY SEE PAGE
 7.02



A ELEVATION
 YOGA DOOR 112
 Arch. Ref. 28/I-3.4
 Scale: 3/4"=1'-0"

! *NOTE*
 FOR ENLARGED ELEVATION
 VIEW OF DOOR ASSEMBLY SEE
 PAGE 7.03

LEGEND

- (01) Hardware Resources 154SS Bar Pull, SS Finish
- (02) Salice #H110C2J6A99, Series 200 Hinge, +110° Self Close
- (03) Salice Hinge Mntg. Plate
- (04) Blum Slide 563, Undermount Soft-close
- (05) 5mm Shelf Pin, Hafele 282.04.711, Nickel Plated
- (06) Richelieu Aluminum Edge Pull 98983310
- (08) Cabinet Lock: RICHELIEU #BP140001140
 Opposing door thumb latch (not shown)
- (10) FastCap SpeedBrace Bracket;White; Size: V.I.F.
- (11) RICHELIEU - Triade 1621412G (Mod to fit)
 C.W WEBKIT #1216866 (Drywall kit)
- (20) Z-Clip, Richelieu #5075070

- PL-1C Plastic Laminate, Pionite,
 Upland Stone , MG160-W / Slate Fin
- PL-2C Plastic Laminate, Pionite,
 First and Main / AG031, Suede Fin
- PL-3C Plastic Laminate, To Be Specified
- WD-4C BAMBOO PLYWOOD , Amber Edge Grain
- WD-6C Solid Oak - Match Approved Sample
- SS-1C CAESARSTONE, Clam Shell 4130 (3CM)
- ML-1 Melamine, White
- CL-1 Cabinet Liner

millwork/casework by:

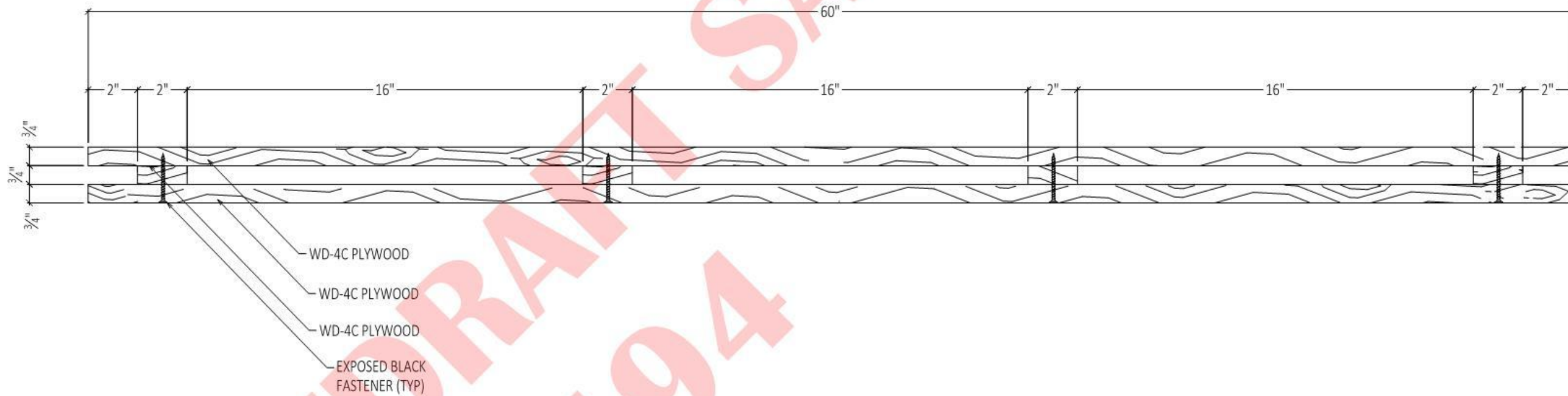
A2DRAFT.COM
 1-855-999-0062

project:

PROJECT RETAIL
 PROJECT RETAIL
 PROJECT RETAIL

drawn by: ZD-EN

date	20-05-11	job#	70494
revisions		sheet	7.01



2 PLAN VIEW OF DOOR
 YOGA DOOR 112 Scale: CUSTOM
 Arch. Ref. -

LEGEND

- (01) Hardware Resources 154SS Bar Pull, SS Finish
- (02) Salice #H110C2J6A99, Series 200 Hinge, +110° Self Close
- (03) Salice Hinge Mntg. Plate
- (04) Blum Slide 563, Undermount Soft-close
- (05) 5mm Shelf Pin, Hafele 282.04.711, Nickel Plated
- (06) Richelieu Aluminum Edge Pull 98983310
- (08) Cabinet Lock: RICHHELIEU #BP140001140
Opposing door thumb latch (not shown)
- (10) FastCap SpeedBrace Bracket;White; Size: V.I.F.
- (11) RICHHELIEU - Triade 1621412G (Mod to fit)
C.W WEBKIT #1216866 (Drywall kit)
- (20) Z-Clip, Richelieu #5075070

- PL-1C Plastic Laminate, Pionite,
Upland Stone , MG160-W / Slate Fin
- PL-2C Plastic Laminate, Pionite,
First and Main / AG031, Suede Fin
- PL-3C Plastic Laminate, To Be Specified
- WD-4C BAMBOO PLYWOOD , Amber Edge Grain
- WD-6C Solid Oak - Match Approved Sample
- SS-1C CAESARSTONE, Clam Shell 4130 (3CM)
- ML-1 Melamine, White
- CL-1 Cabinet Liner

millwork/casework by:
A2ZDRAFT.COM
 1-855-999-0062

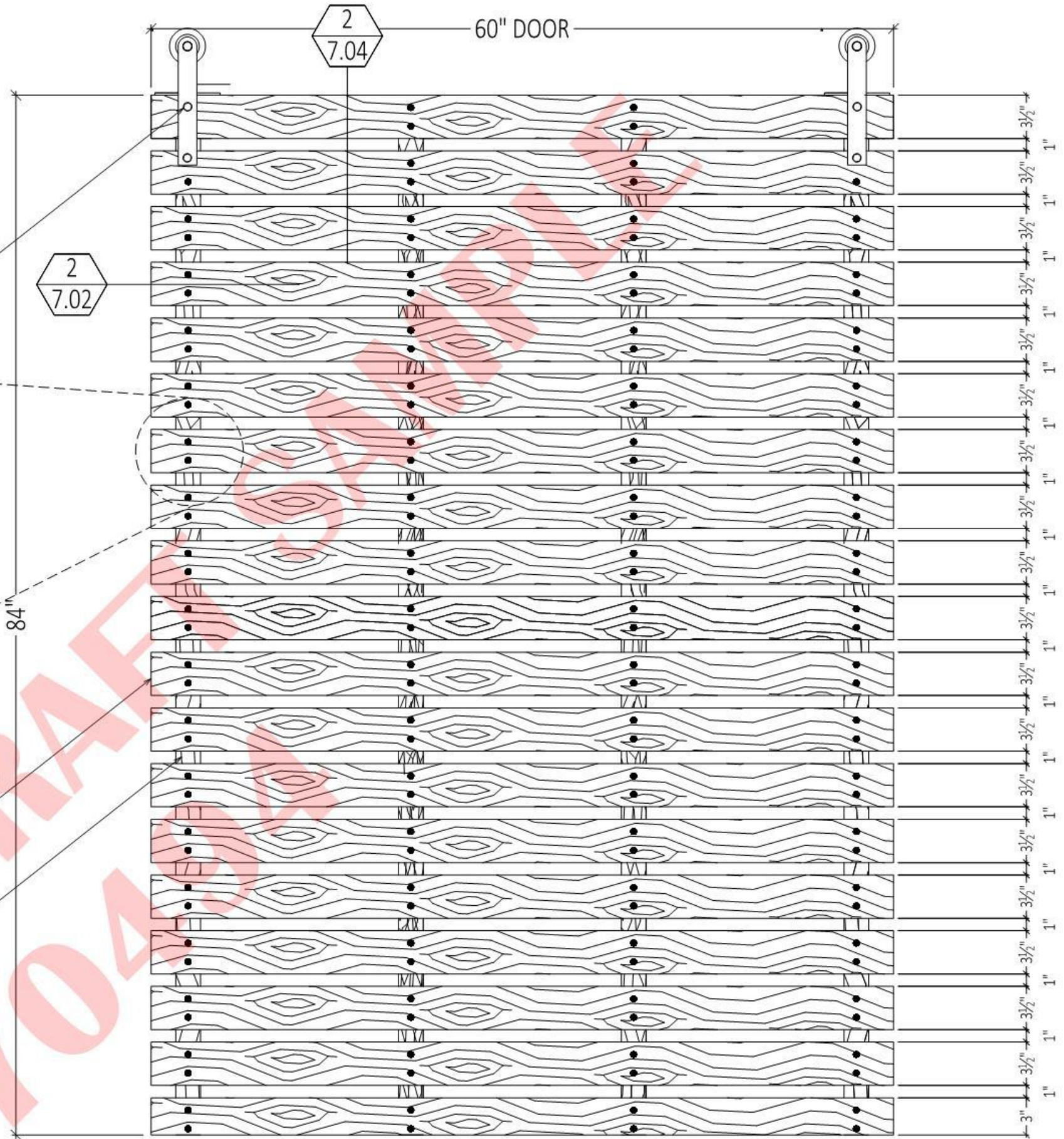
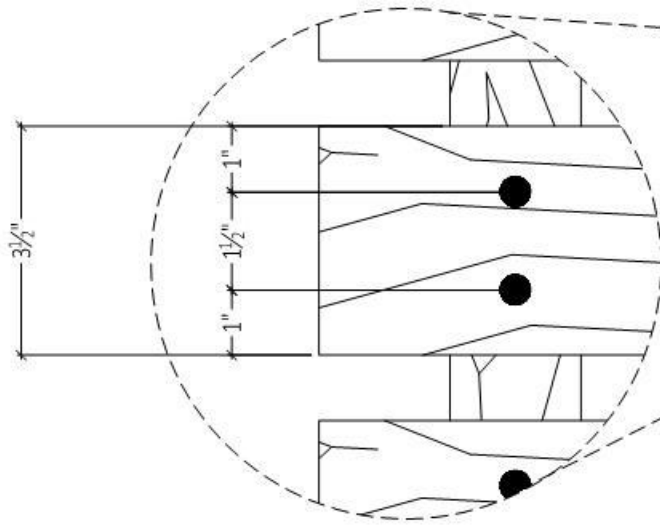
project:
 PROJECT RETAIL
 PROJECT RETAIL
 PROJECT RETAIL

drawn by: ZD-EN

date	20-05-11	job#	70494
revisions		sheet	7.02

NOTE
ENSURE HANGING HARDWARE
ALIGNS WITH 2" VERTICAL
PLYWOOD COMPONENT

RUSTICA
REFLEX HANGER
C/W MK1 NYLON WHEELS
C/W STANDARD FLOOR MT GLIDE
FINISH RAW STEEL



B ELEV VIEW OF DOOR
YOGA DOOR 112
ENLARGED
Scale: CUSTOM
Arch. Ref. -

LEGEND

- (01) Hardware Resources 154SS Bar Pull, SS Finish
- (02) Salice #H110C2J6A99, Series 200 Hinge, +110° Self Close
- (03) Salice Hinge Mntg. Plate
- (04) Blum Slide 563, Undermount Soft-close
- (05) 5mm Shelf Pin, Hafele 282.04.711, Nickel Plated
- (06) Richelieu Aluminum Edge Pull 98983310
- (08) Cabinet Lock: RICHELIEU #BP140001140
Opposing door thumb latch (not shown)
- (10) FastCap SpeedBrace Bracket;White; Size: V.I.F.
- (11) RICHELIEU - Triade 1621412G (Mod to fit)
C.W WEBKIT #1216866 (Drywall kit)
- (20) Z-Clip, Richelieu #5075070

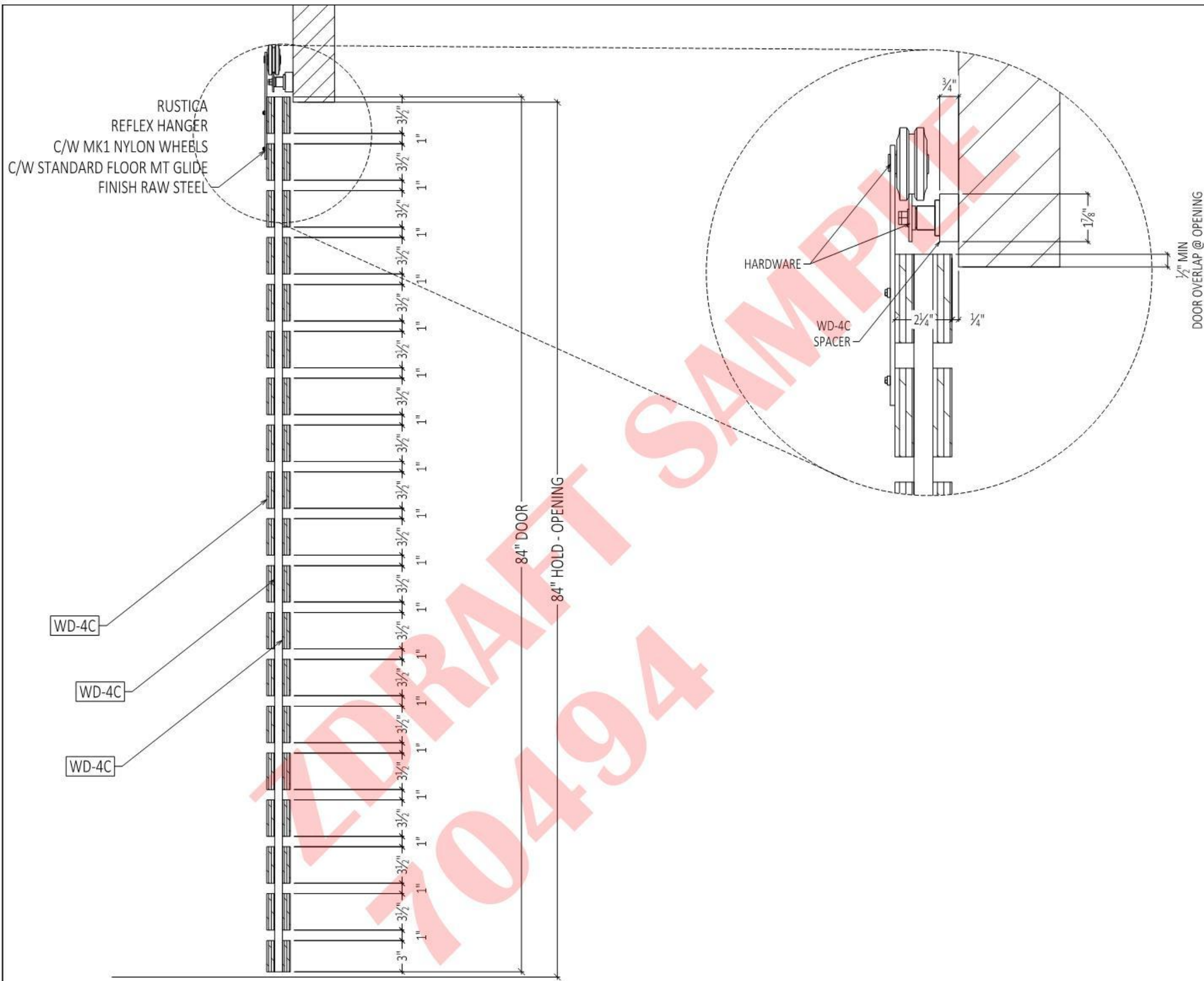
- PL-1C Plastic Laminate, Pionite,
Upland Stone , MG160-W / Slate Fin
- PL-2C Plastic Laminate, Pionite,
First and Main / AG031, Suede Fin
- PL-3C Plastic Laminate, To Be Specified
- WD-4C BAMBOO PLYWOOD , Amber Edge Grain
- WD-6C Solid Oak - Match Approved Sample
- SS-1C CAESARSTONE, Clam Shell 4130 (3CM)
- ML-1 Melamine, White
- CL-1 Cabinet Liner

millwork/casework by:
A2ZDRAFT.COM
1-855-999-0062

project:
PROJECT RETAIL
PROJECT RETAIL
PROJECT RETAIL

drawn by: ZD-EN

date	20-05-11	job#	70494
revisions		sheet	7.03



LEGEND

- (01) Hardware Resources 154SS Bar Pull, SS Finish
- (02) Salice #H110C2J6A99, Series 200 Hinge, +110° Self Close
- (03) Salice Hinge Mntg. Plate
- (04) Blum Slide 563, Undermount Soft-close
- (05) 5mm Shelf Pin, Hafele 282.04.711, Nickel Plated
- (06) Richelieu Aluminum Edge Pull 98983310
- (08) Cabinet Lock: RICHELIEU #BP140001140
Opposing door thumb latch (not shown)
- (10) FastCap SpeedBrace Bracket;White; Size: V.I.F.
- (11) RICHELIEU - Triade 1621412G (Mod to fit)
C.W WEBKIT #1216866 (Drywall kit)
- (20) Z-Clip, Richelieu #5075070

- PL-1C Plastic Laminate, Pionite,
Upland Stone , MG160-W / Slate Fin
- PL-2C Plastic Laminate, Pionite,
First and Main / AG031, Suede Fin
- PL-3C Plastic Laminate, To Be Specified
- WD-4C BAMBOO PLYWOOD , Amber Edge Grain
- WD-6C Solid Oak - Match Approved Sample
- SS-1C CAESARSTONE, Clam Shell 4130 (3CM)
- ML-1 Melamine, White
- CL-1 Cabinet Liner

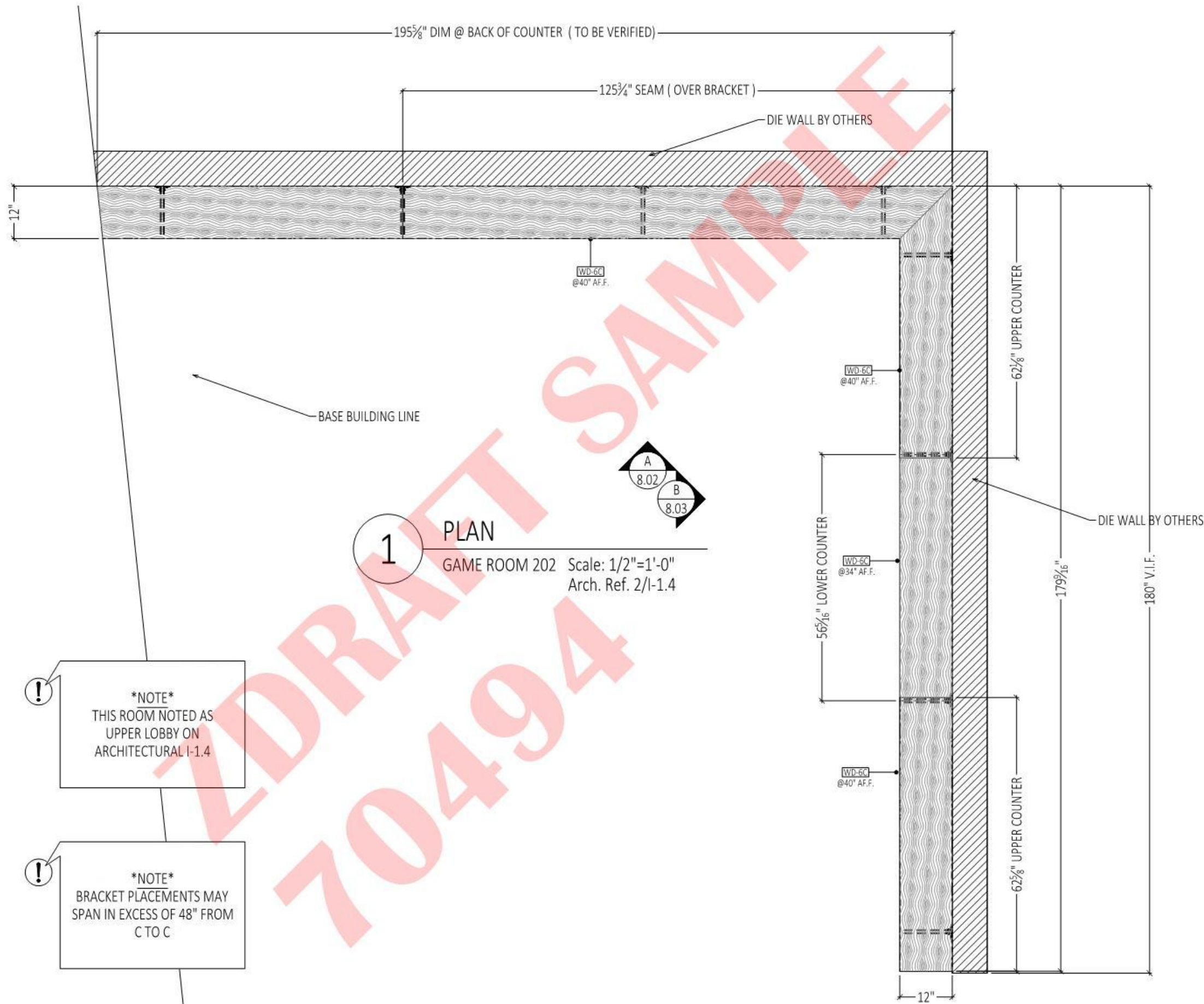
millwork/casework by:
A2DRAFT.COM
1-855-999-0062

project:
 PROJECT RETAIL
 PROJECT RETAIL
 PROJECT RETAIL

drawn by: ZD-EN

date	20-05-11	job#	70494
revisions		sheet	7.04

3 PROFILE VIEW OF DOOR
 YOGA DOOR 112 Scale: CUSTOM
 ENLARGED Arch. Ref. -



1 PLAN
 GAME ROOM 202 Scale: 1/2"=1'-0"
 Arch. Ref. 2/I-1.4

! *NOTE*
 THIS ROOM NOTED AS
 UPPER LOBBY ON
 ARCHITECTURAL I-1.4

! *NOTE*
 BRACKET PLACEMENTS MAY
 SPAN IN EXCESS OF 48" FROM
 C TO C

LEGEND

- (01) Hardware Resources 154SS Bar Pull, SS Finish
- (02) Salice #H110C2J6A99, Series 200 Hinge, +110° Self Close
- (03) Salice Hinge Mntg. Plate
- (04) Blum Slide 563, Undermount Soft-close
- (05) 5mm Shelf Pin, Hafele 282.04.711, Nickel Plated
- (06) Richelieu Aluminum Edge Pull 98983310
- (08) Cabinet Lock: RICHELIEU #BP140001140
 Opposing door thumb latch (not shown)
- (10) FastCap SpeedBrace Bracket; White; Size: V.I.F.
- (11) RICHELIEU - Triade 1621412G (Mod to fit)
 C.W WEBKIT #1216866 (Drywall kit)
- (20) Z-Clip, Richelieu #5075070

- PL-1C Plastic Laminate, Pionite,
 Upland Stone, MG160-W / Slate Fin
- PL-2C Plastic Laminate, Pionite,
 First and Main / AG031, Suede Fin
- PL-3C Plastic Laminate, To Be Specified
- WD-4C BAMBOO PLYWOOD, Amber Edge Grain
- WD-6C Solid Oak - Match Approved Sample
- SS-1C CAESARSTONE, Clam Shell 4130 (3CM)
- ML-1 Melamine, White
- CL-1 Cabinet Liner

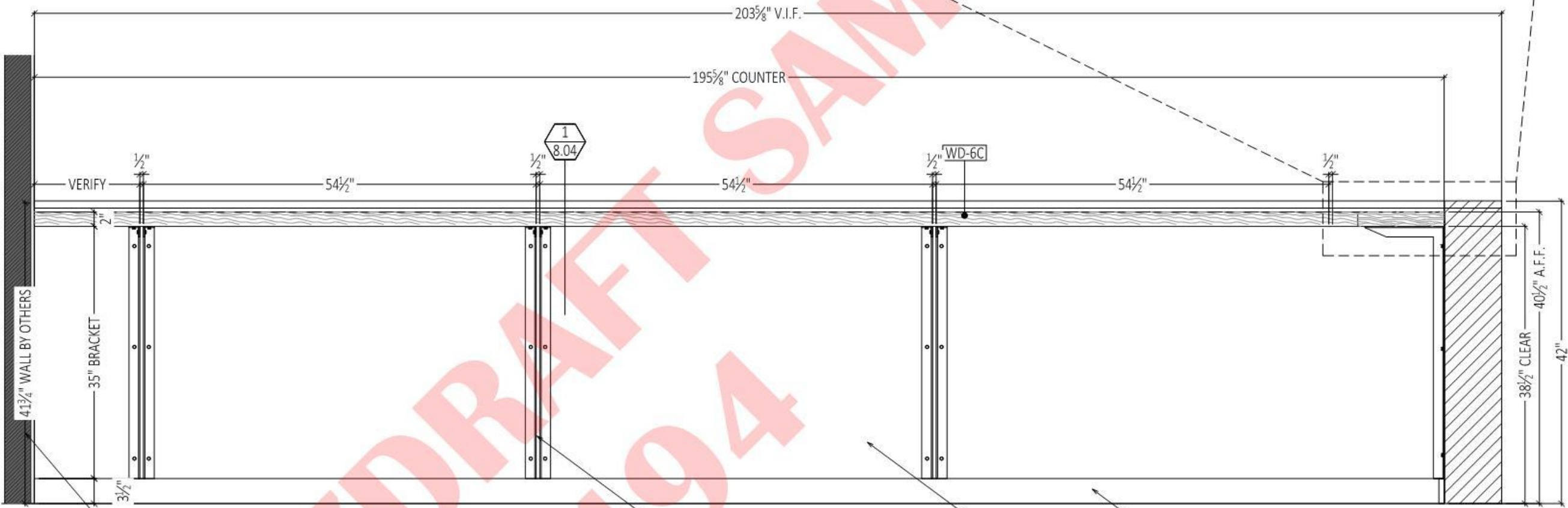
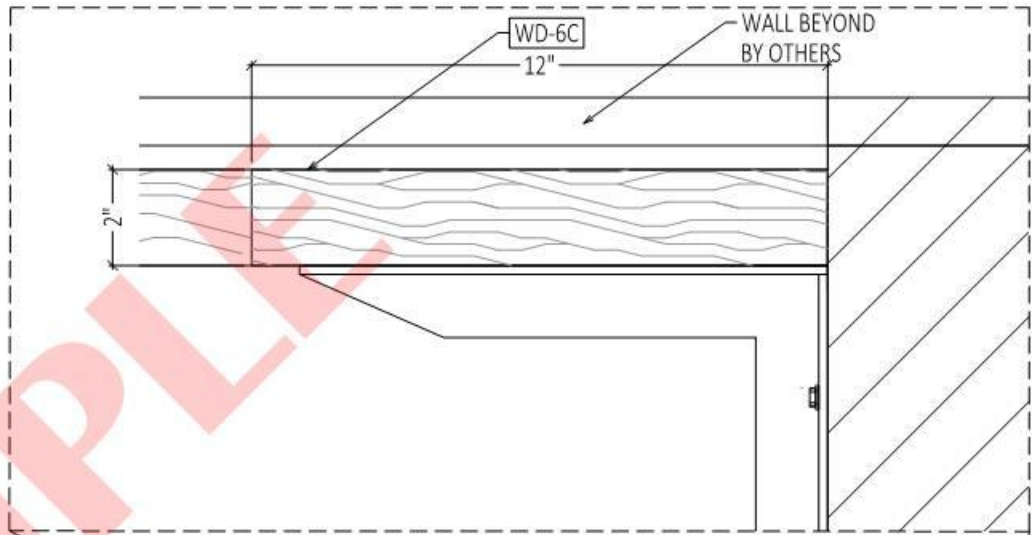
millwork/casework by:
A2ZDRAFT.COM
 1-855-999-0062

project:
 PROJECT RETAIL
 PROJECT RETAIL
 PROJECT RETAIL

drawn by: ZD-EN

date	20-10-08	job#	70494
revisions		sheet	8.01

! *NOTE*
BRACKET SPACING DOES NOT COINCIDE WITH METAL SHOP DRAWINGS



A ELEVATION
GAME ROOM
Scale: 3/4"=1'-0"
Arch. Ref. 12/l-3.1

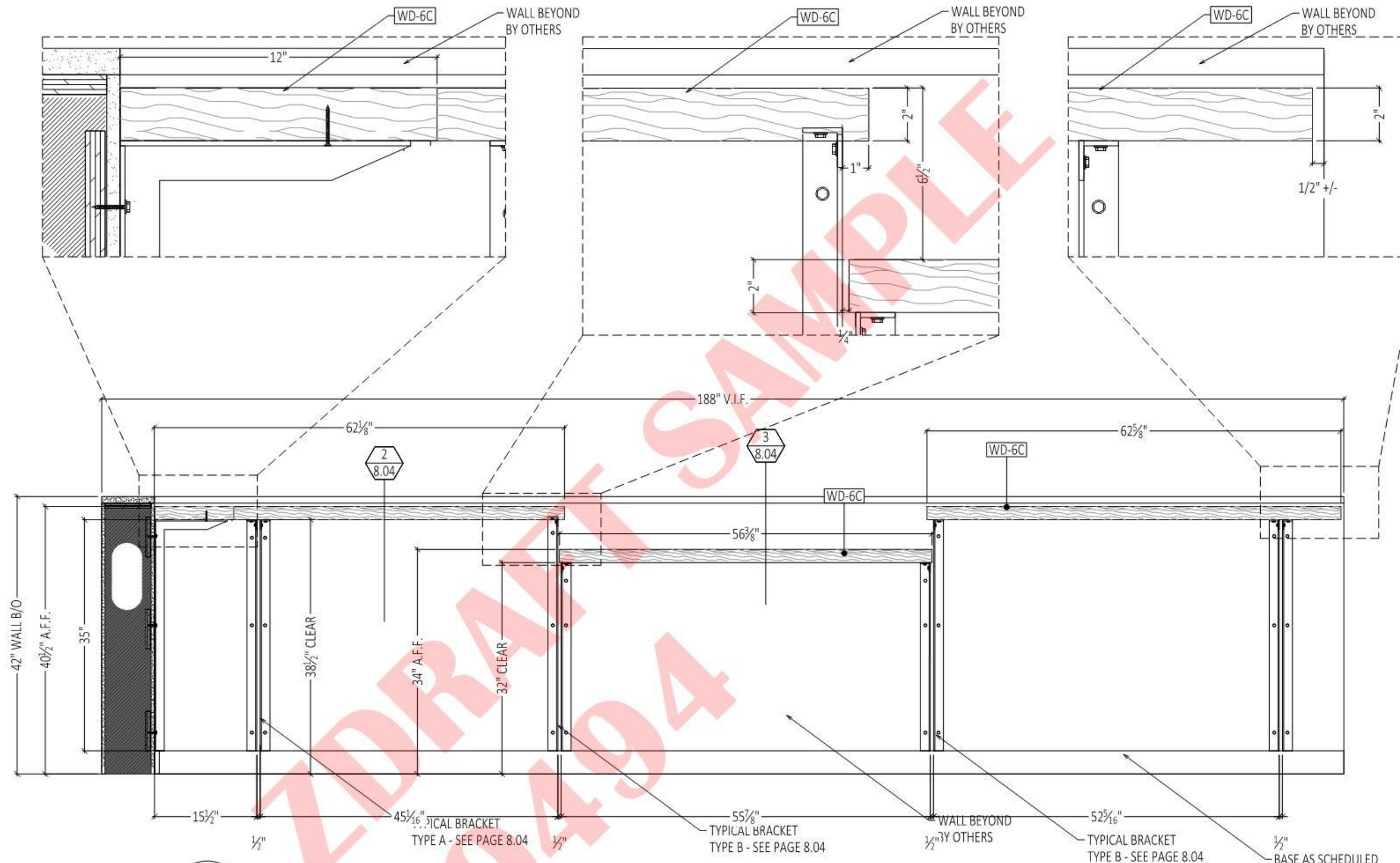
LEGEND	
01	Hardware Resources 154SS Bar Pull, SS Finish
02	Salice #H110C2J6A99, Series 200 Hinge, +110° Self Close
03	Salice Hinge Mntg. Plate
04	Blum Slide 563, Undermount Soft-close
05	5mm Shelf Pin, Hafele 282.04.711, Nickel Plated
06	Richelieu Aluminum Edge Pull 98983310
08	Cabinet Lock: RICHELIEU #BP140001140 Opposing door thumb latch (not shown)
10	FastCap SpeedBrace Bracket;White; Size: V.I.F.
11	RICHELIEU - Triade 1621412G (Mod to fit) C.W WEBKIT #1216866 (Drywall kit)
20	Z-Clip, Richelieu #5075070
PL-1C	Plastic Laminate, Pionite, Upland Stone , MG160-W / Slate Fin
PL-2C	Plastic Laminate, Pionite, First and Main / AG031, Suede Fin
PL-3C	Plastic Laminate, To Be Specified
WD-4C	BAMBOO PLYWOOD , Amber Edge Grain
WD-6C	Solid Oak - Match Approved Sample
SS-1C	CAESARSTONE, Clam Shell 4130 (3CM)
ML-1	Melamine, White
CL-1	Cabinet Liner

millwork/casework by:
A2ZDRAFT.COM
1-855-999-0062

project:
PROJECT RETAIL
PROJECT RETAIL
PROJECT RETAIL

drawn by: ZD-EN

date	20-10-08	job#	70494
revisions		sheet	8.02



B ELEVATION
 GAME ROOM
 Scale: 3/4"=1'-0"
 Arch. Ref. 16/I-3.1

LEGEND

- (01) Hardware Resources 154SS Bar Pull, SS Finish
- (02) Salice #H110C2J6A99, Series 200 Hinge, +110° Self Close
- (03) Salice Hinge Mntg. Plate
- (04) Blum Slide 563, Undermount Soft-close
- (05) 5mm Shelf Pin, Hafele 282.04.711, Nickel Plated
- (06) Richelieu Aluminum Edge Pull 98983310
- (08) Cabinet Lock: RICHELIEU #BP140001140
Opposing door thumb latch (not shown)
- (10) FastCap SpeedBrace Bracket;White; Size: V.I.F.
- (11) RICHELIEU - Triade 1621412G (Mod to fit)
C.W WEBKIT #1216866 (Drywall kit)
- (20) Z-Clip, Richelieu #5075070

- PL-1C Plastic Laminate, Pionite,
Upland Stone , MG160-W / Slate Fin
- PL-2C Plastic Laminate, Pionite,
First and Main / AG031, Suede Fin
- PL-3C Plastic Laminate, To Be Specified
- WD-4C BAMBOO PLYWOOD , Amber Edge Grain
- WD-6C Solid Oak - Match Approved Sample
- SS-1C CAESARSTONE, Clam Shell 4130 (3CM)
- ML-1 Melamine, White
- CL-1 Cabinet Liner

millwork/casework by:
A2DRAFT.COM
 1-855-999-0062

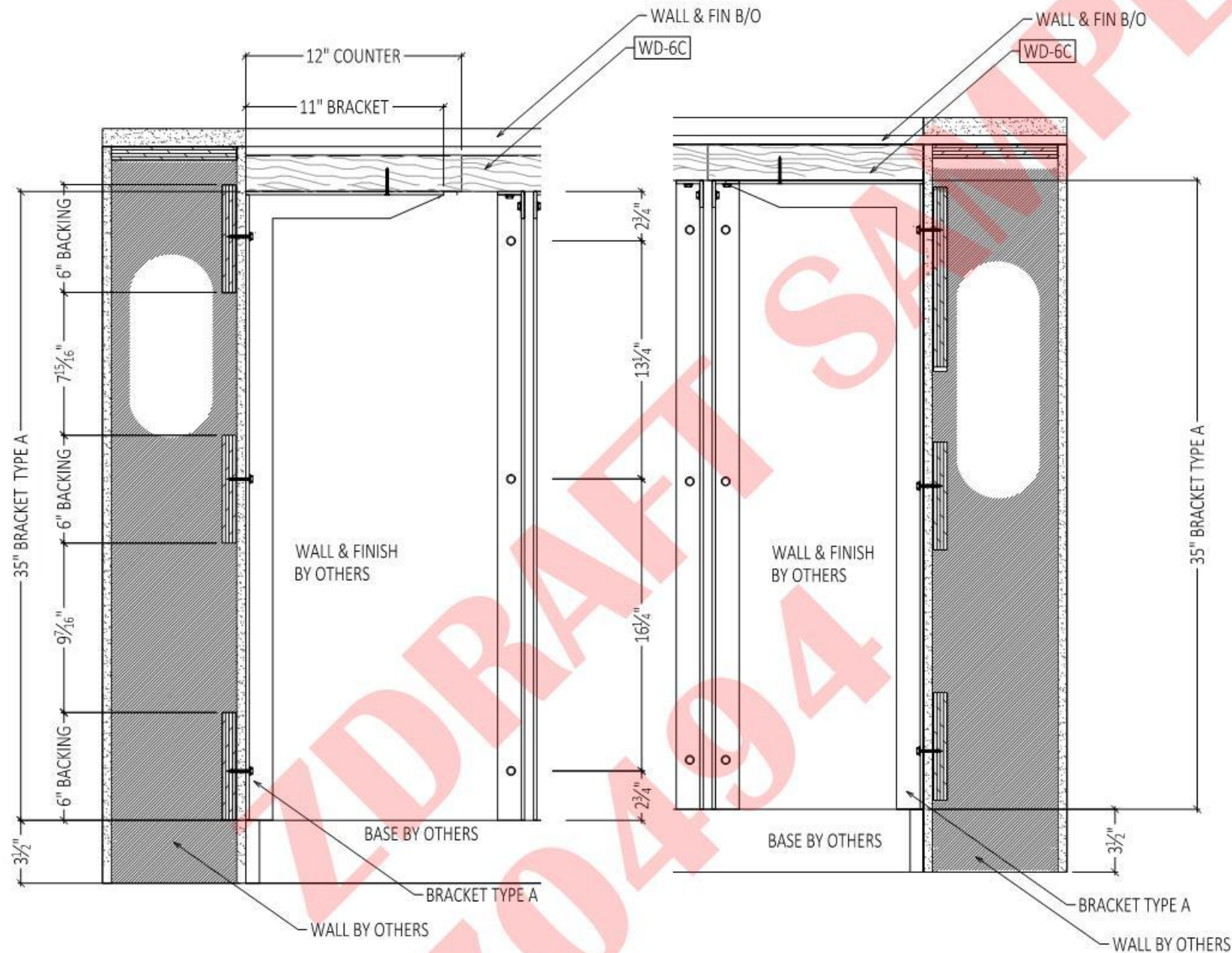
project:
 PROJECT RETAIL
 PROJECT RETAIL
 PROJECT RETAIL

drawn by: ZD-EN

date	20-10-08	job#	70494
revisions		sheet	8.03

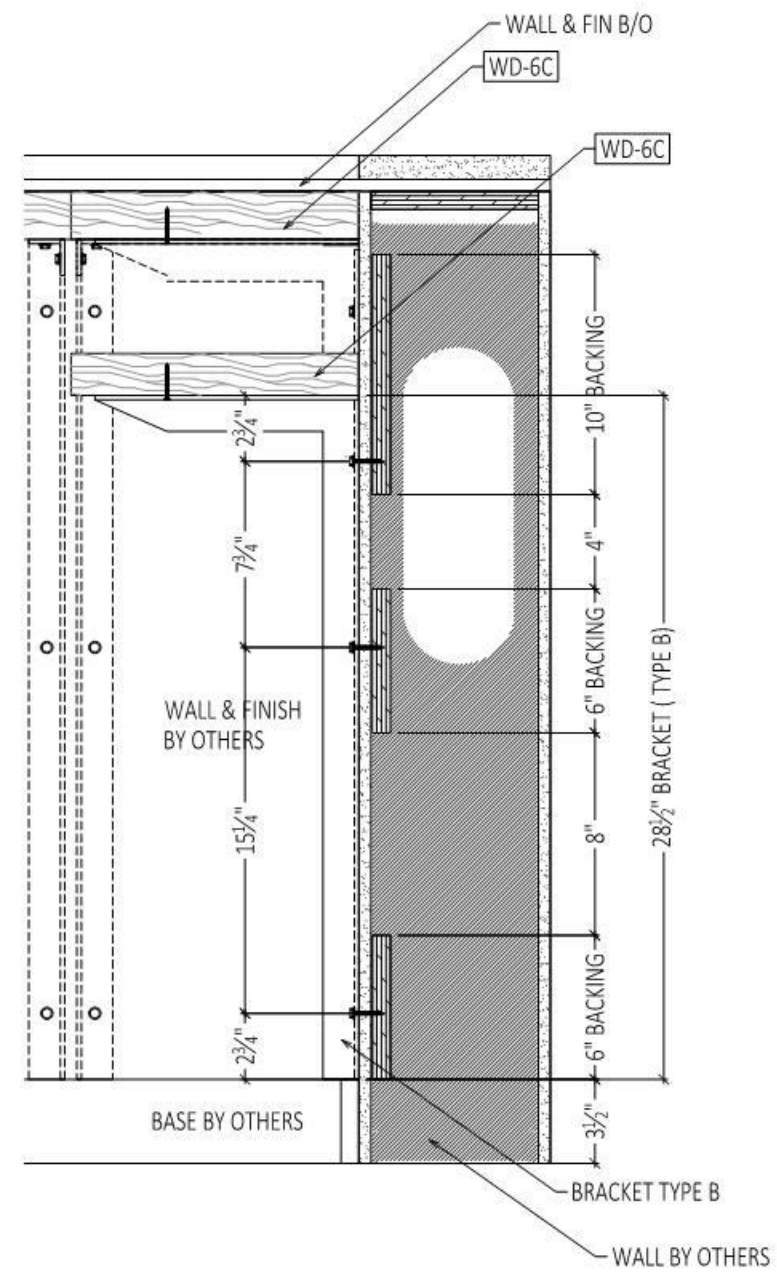
NOTE
ALL WALLS BY OTHERS

NOTE
ALL INWALL BACKING BY OTHERS



1 SECTION
GAME ROOM
Scale: 1-1/2"=1'-0"
Arch. Ref. 16/1-3.1

2 SECTION
GAME ROOM
Scale: 1-1/2"=1'-0"
Arch. Ref. 16/1-3.1



3 SECTION
GAME ROOM
Scale: 1-1/2"=1'-0"
Arch. Ref. 16/1-3.1

LEGEND

- 01 Hardware Resources 154SS Bar Pull, SS Finish
- 02 Salice #H110C2J6A99, Series 200 Hinge, +110° Self Close
- 03 Salice Hinge Mntg. Plate
- 04 Blum Slide 563, Undermount Soft-close
- 05 5mm Shelf Pin, Hafele 282.04.711, Nickel Plated
- 06 Richelieu Aluminum Edge Pull 98983310
- 08 Cabinet Lock: RICHELIEU #BP140001140
Opposing door thumb latch (not shown)
- 10 FastCap SpeedBrace Bracket;White; Size: V.I.F.
- 11 RICHELIEU - Triade 1621412G (Mod to fit)
C.W WEBKIT #1216866 (Drywall kit)
- 20 Z-Clip, Richelieu #5075070

- PL-1C Plastic Laminate, Pionite,
Upland Stone , MG160-W / Slate Fin
- PL-2C Plastic Laminate, Pionite,
First and Main / AG031, Suede Fin
- PL-3C Plastic Laminate, To Be Specified
- WD-4C BAMBOO PLYWOOD , Amber Edge Grain
- WD-6C Solid Oak - Match Approved Sample
- SS-1C CAESARSTONE, Clam Shell 4130 (3CM)
- ML-1 Melamine, White
- CL-1 Cabinet Liner

millwork/casework by:

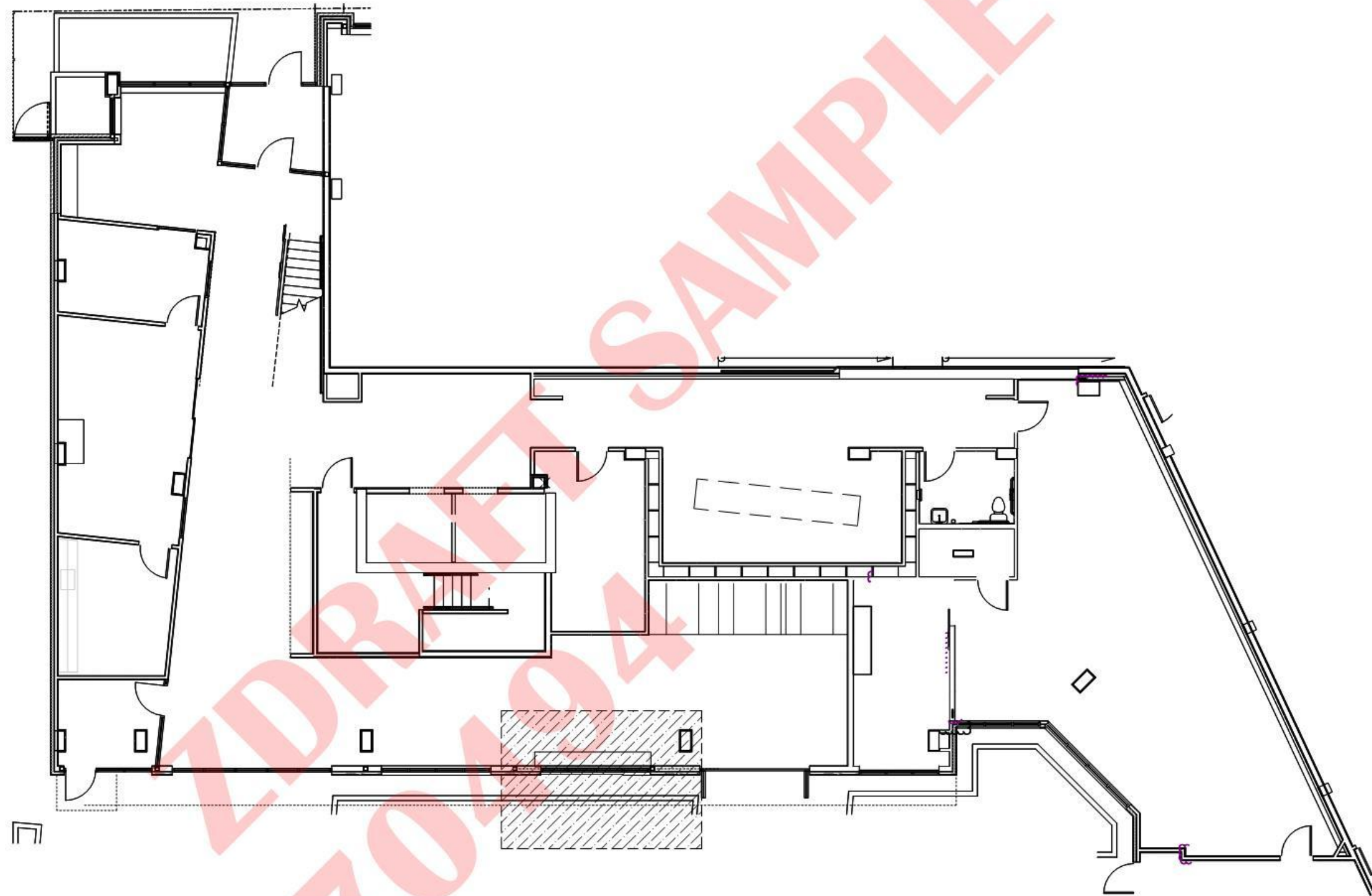
A2ZDRAFT.COM
1-855-999-0062

project:

PROJECT RETAIL
PROJECT RETAIL
PROJECT RETAIL

drawn by: ZD-EN

date	20-10-08	job#	70494
revisions		sheet	8.04



K1 KEY PLAN
 LOUNGE WINDOW Scale: = NTS
 Arch. Ref. 5/I-1.1

LEGEND

- 01 Hardware Resources 154SS Bar Pull, SS Finish
- 02 Salice #H110C2J6A99, Series 200 Hinge, +110° Self Close
- 03 Salice Hinge Mntg. Plate
- 04 Blum Slide 563, Undermount Soft-close
- 05 5mm Shelf Pin, Hafele 282.04.711, Nickel Plated
- 06 Richelieu Aluminum Edge Pull 98983310
- 08 Cabinet Lock: RICHELIEU #BP140001140 Opposing door thumb latch (not shown)
- 10 FastCap SpeedBrace Bracket;White; Size: V.I.F.
- 11 RICHELIEU - Triade 1621412G (Mod to fit) C.W WEBKIT #1216866 (Drywall kit)
- 20 Z-Clip, Richelieu #5075070

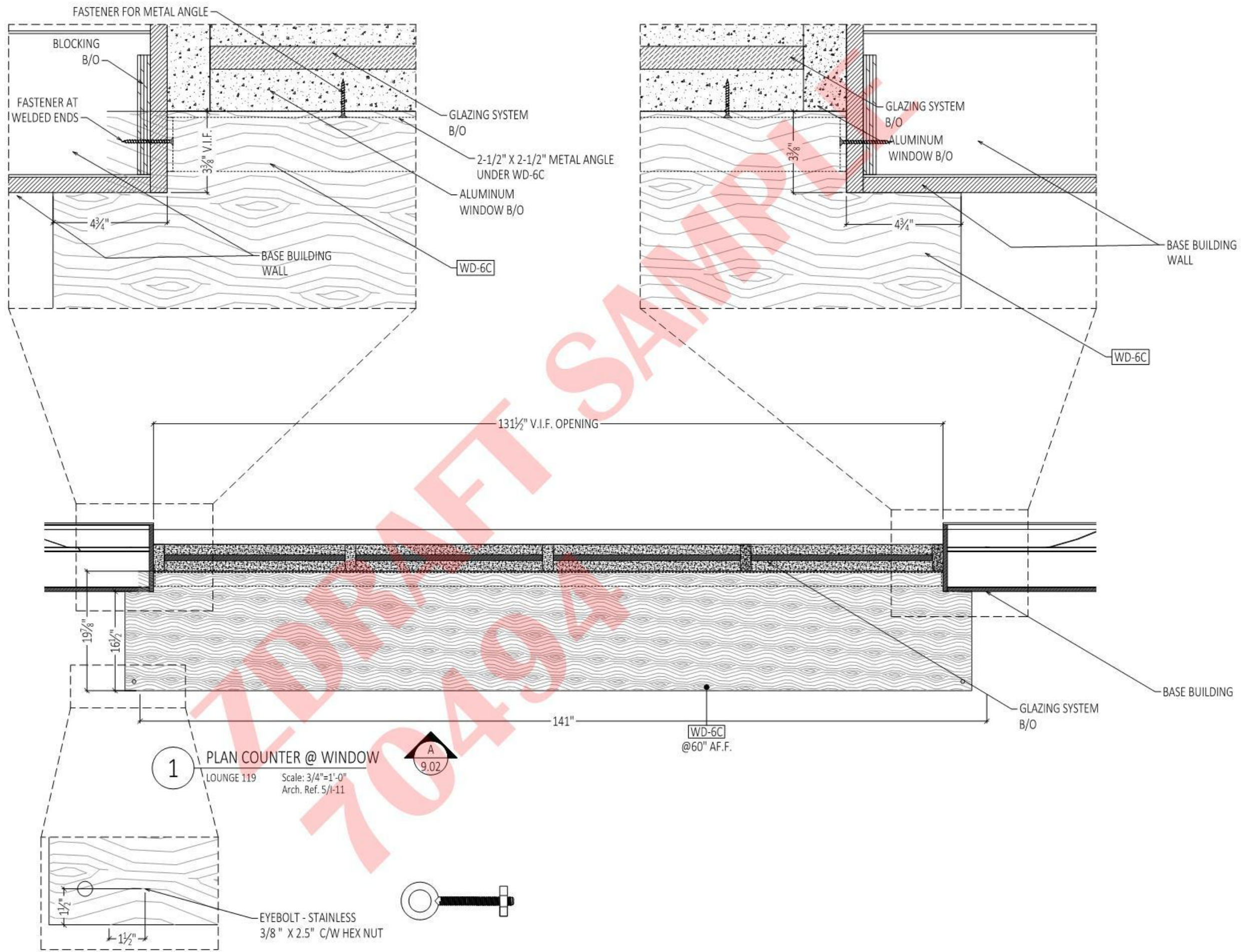
- PL-1C Plastic Laminate, Pionite, Upland Stone , MG160-W / Slate Fin
- PL-2C Plastic Laminate, Pionite, First and Main / AG031, Suede Fin
- PL-3C Plastic Laminate, To Be Specified
- WD-4C BAMBOO PLYWOOD , Amber Edge Grain
- WD-6C Solid Oak - Match Approved Sample
- SS-1C CAESARSTONE, Clam Shell 4130 (3CM)
- ML-1 Melamine, White
- CL-1 Cabinet Liner

millwork/casework by:
A2ZDRAFT.COM
 1-855-999-0062

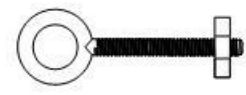
project:
 PROJECT RETAIL
 PROJECT RETAIL
 PROJECT RETAIL

drawn by: ZD-EN

date	20-09-02	job#	70494
revisions		sheet	9.00



1 PLAN COUNTER @ WINDOW
 LOUNGE 119 Scale: 3/4"=1'-0"
 Arch. Ref. 5/1-11



EYEBOLT - STAINLESS
 3/8" X 2.5" C/W HEX NUT

LEGEND

- (01) Hardware Resources 154SS Bar Pull, SS Finish
- (02) Salice #H110C2J6A99, Series 200 Hinge, +110° Self Close
- (03) Salice Hinge Mntg. Plate
- (04) Blum Slide 563, Undermount Soft-close
- (05) 5mm Shelf Pin, Hafele 282.04.711, Nickel Plated
- (06) Richelieu Aluminum Edge Pull 98983310
- (08) Cabinet Lock: RICHELIEU #BP140001140
 Opposing door thumb latch (not shown)
- (10) FastCap SpeedBrace Bracket; White; Size: V.I.F.
- (11) RICHELIEU - Triade 1621412G (Mod to fit)
 C.W WEBKIT #1216866 (Drywall kit)
- (20) Z-Clip, Richelieu #5075070

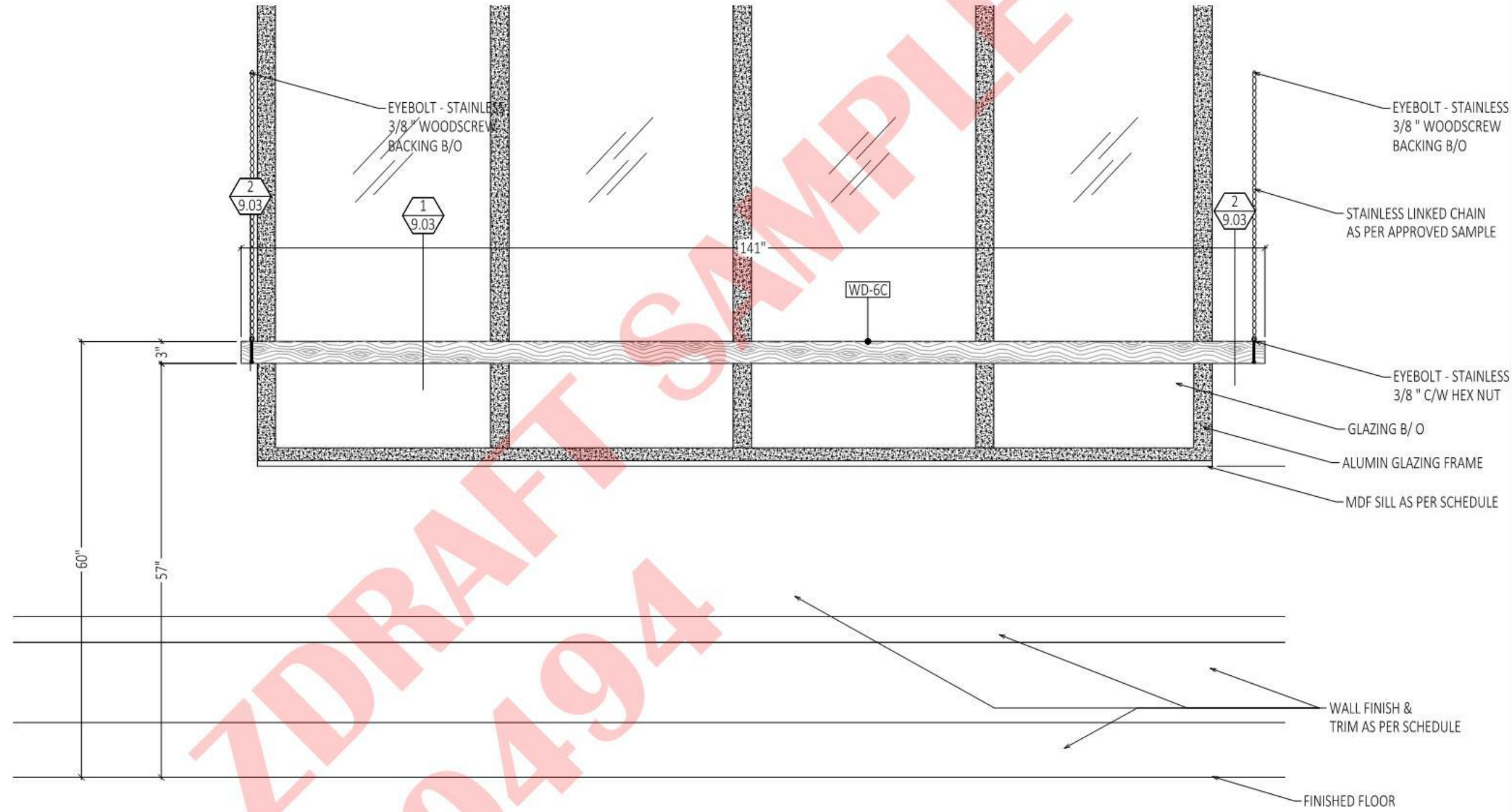
- PL-1C Plastic Laminate, Pionite,
 Upland Stone, MG160-W / Slate Fin
- PL-2C Plastic Laminate, Pionite,
 First and Main / AG031, Suede Fin
- PL-3C Plastic Laminate, To Be Specified
- WD-4C BAMBOO PLYWOOD, Amber Edge Grain
- WD-6C Solid Oak - Match Approved Sample
- SS-1C CAESARSTONE, Clam Shell 4130 (3CM)
- ML-1 Melamine, White
- CL-1 Cabinet Liner

millwork/casework by:
A2ZDRAFT.COM
 1-855-999-0062

project:
 PROJECT RETAIL
 PROJECT RETAIL
 PROJECT RETAIL

drawn by: ZD-EN

date	20-10-08	job#	70494
revisions		sheet	9.01



A ELEVATION -
LOUNGE 119 Scale: 3/4"=1'-0"
Arch. Ref. 11/1-3.6

LEGEND

- (01) Hardware Resources 154SS Bar Pull, SS Finish
- (02) Salice #H110C2J6A99, Series 200 Hinge, +110° Self Close
- (03) Salice Hinge Mntg. Plate
- (04) Blum Slide 563, Undermount Soft-close
- (05) 5mm Shelf Pin, Hafele 282.04.711, Nickel Plated
- (06) Richelieu Aluminum Edge Pull 98983310
- (08) Cabinet Lock: RICHHELIEU #BP140001140
Opposing door thumb latch (not shown)
- (10) FastCap SpeedBrace Bracket;White; Size: V.I.F.
- (11) RICHHELIEU - Triade 1621412G (Mod to fit)
C.W WEBKIT #1216866 (Drywall kit)
- (20) Z-Clip, Richelieu #5075070

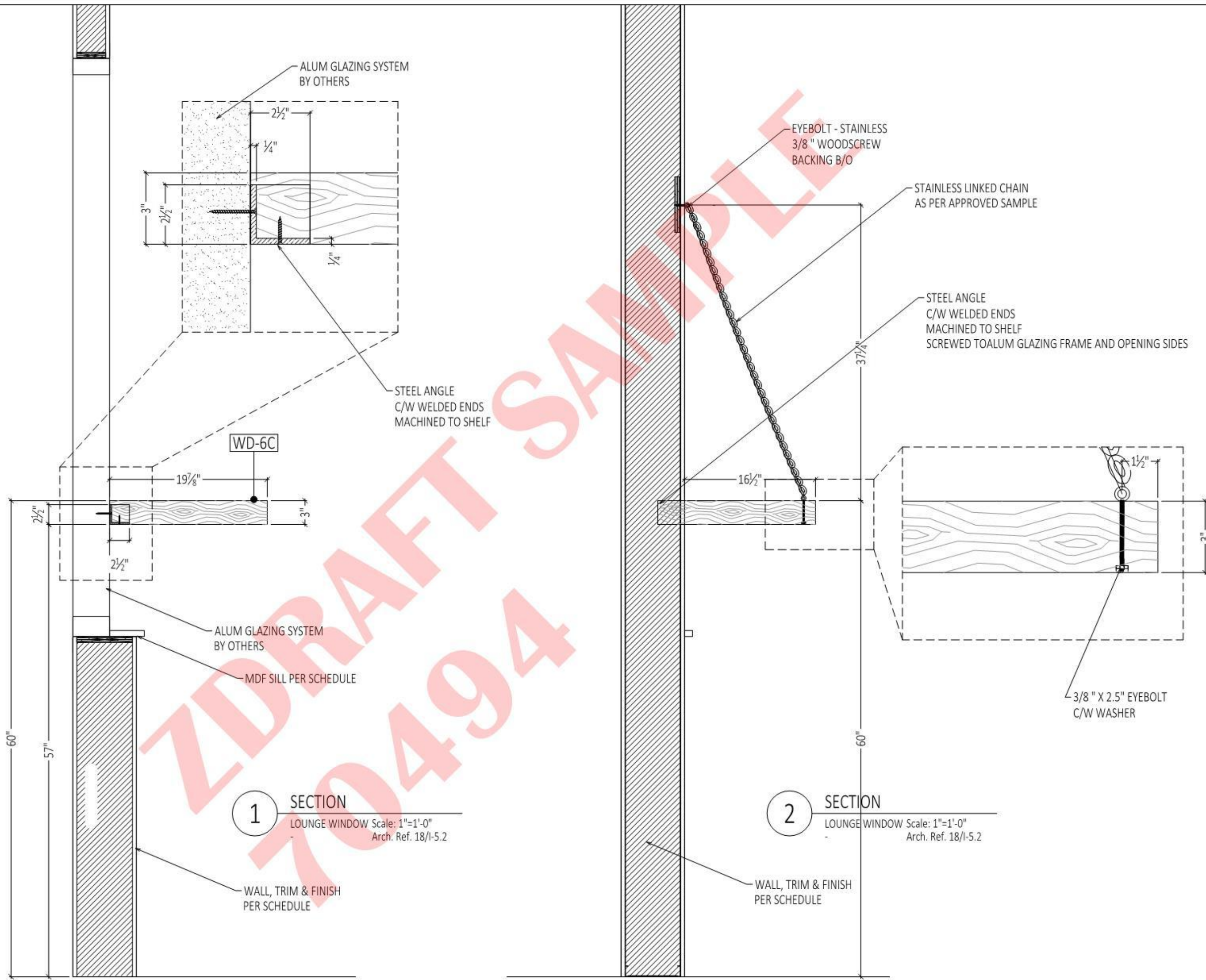
- PL-1C Plastic Laminate, Pionite,
Upland Stone , MG160-W / Slate Fin
- PL-2C Plastic Laminate, Pionite,
First and Main / AG031, Suede Fin
- PL-3C Plastic Laminate, To Be Specified
- WD-4C BAMBOO PLYWOOD , Amber Edge Grain
- WD-6C Solid Oak - Match Approved Sample
- SS-1C CAESARSTONE, Clam Shell 4130 (3CM)
- ML-1 Melamine, White
- CL-1 Cabinet Liner

millwork/casework by:
A2ZDRAFT.COM
1-855-999-0062

project:
PROJECT RETAIL
PROJECT RETAIL
PROJECT RETAIL

drawn by: ZD-EN

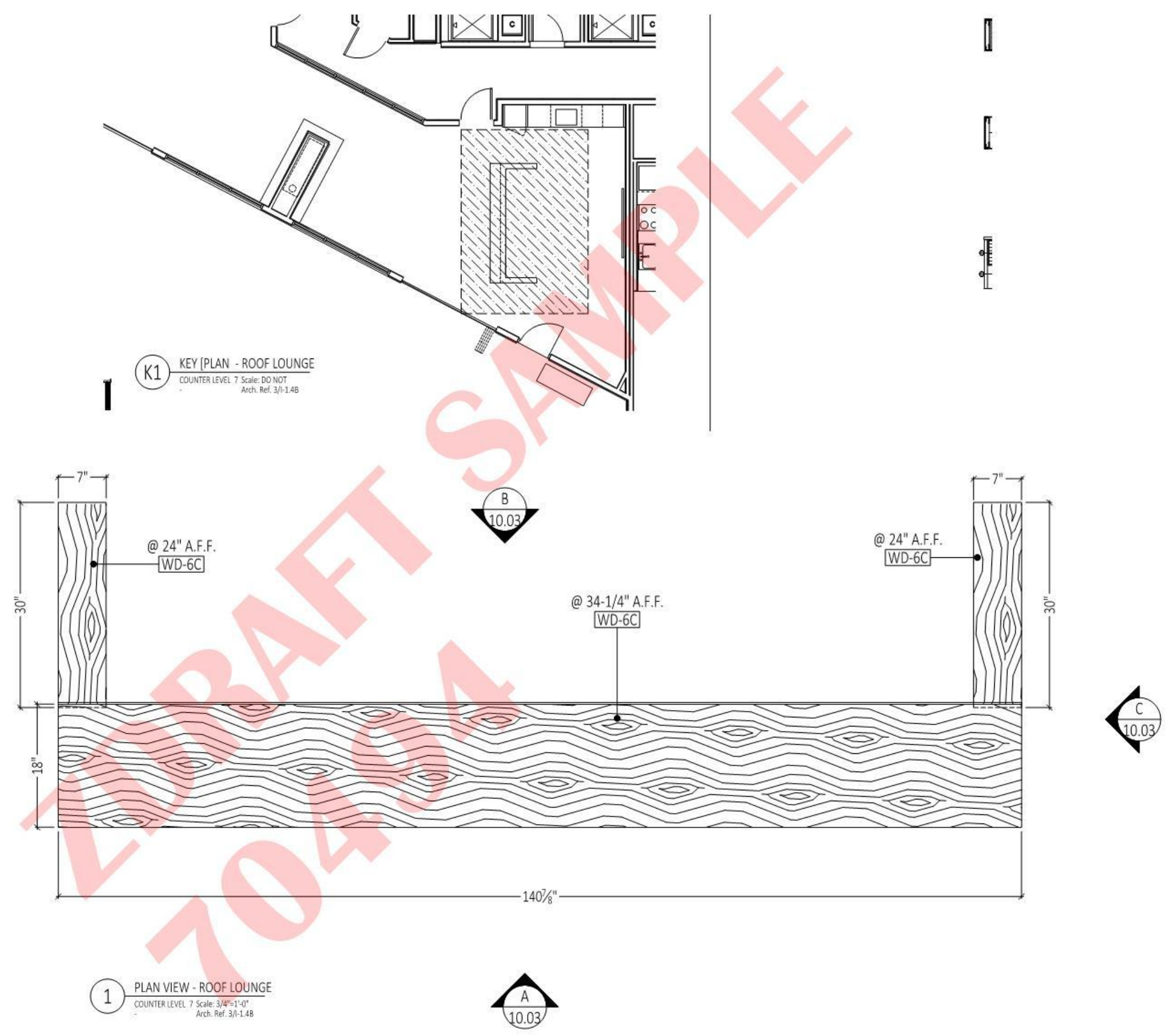
date	20-09-02	job#	70494
revisions		sheet	9.02



1 SECTION
 LOUNGE WINDOW Scale: 1"=1'-0"
 Arch. Ref. 18/I-5.2

2 SECTION
 LOUNGE WINDOW Scale: 1"=1'-0"
 Arch. Ref. 18/I-5.2

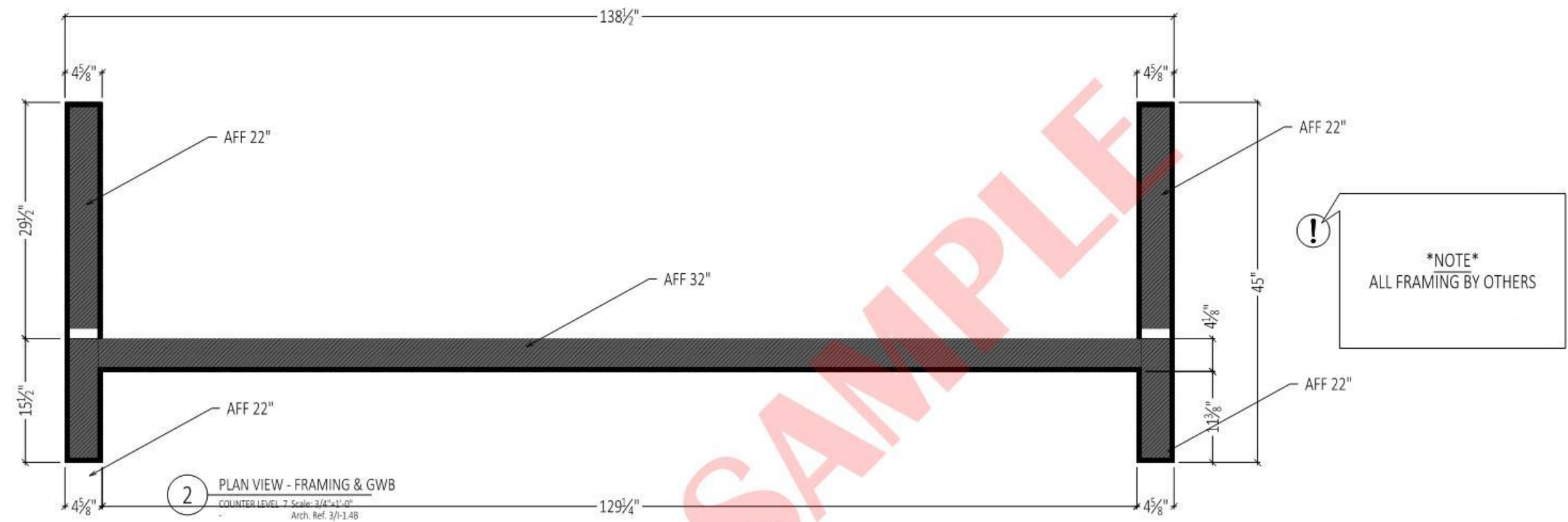
LEGEND			
01	Hardware Resources 154SS Bar Pull, SS Finish		
02	Salice #H110C2J6A99, Series 200 Hinge, +110° Self Close		
03	Salice Hinge Mntg. Plate		
04	Blum Slide 563, Undermount Soft-close		
05	5mm Shelf Pin, Hafele 282.04.711, Nickel Plated		
06	Richelieu Aluminum Edge Pull 98983310		
08	Cabinet Lock: RICHELIEU #BP140001140 Opposing door thumb latch (not shown)		
10	FastCap SpeedBrace Bracket; White; Size: V.I.F.		
11	RICHELIEU - Triade 1621412G (Mod to fit) C.W. WEBKIT #1216866 (Drywall kit)		
20	Z-Clip, Richelieu #5075070		
PL-1C	Plastic Laminate, Pionite, Upland Stone, MG160-W / Slate Fin		
PL-2C	Plastic Laminate, Pionite, First and Main / AG031, Suede Fin		
PL-3C	Plastic Laminate, To Be Specified		
WD-4C	BAMBOO PLYWOOD, Amber Edge Grain		
WD-6C	Solid Oak - Match Approved Sample		
SS-1C	CAESARSTONE, Clam Shell 4130 (3CM)		
ML-1	Melamine, White		
CL-1	Cabinet Liner		
millwork/casework by:			
A2ZDRAFT.COM			
1-855-999-0062			
project:			
PROJECT RETAIL			
PROJECT RETAIL			
PROJECT RETAIL			
drawn by: ZD-EN			
date	20-09-02	job#	70494
revisions		sheet	9.03



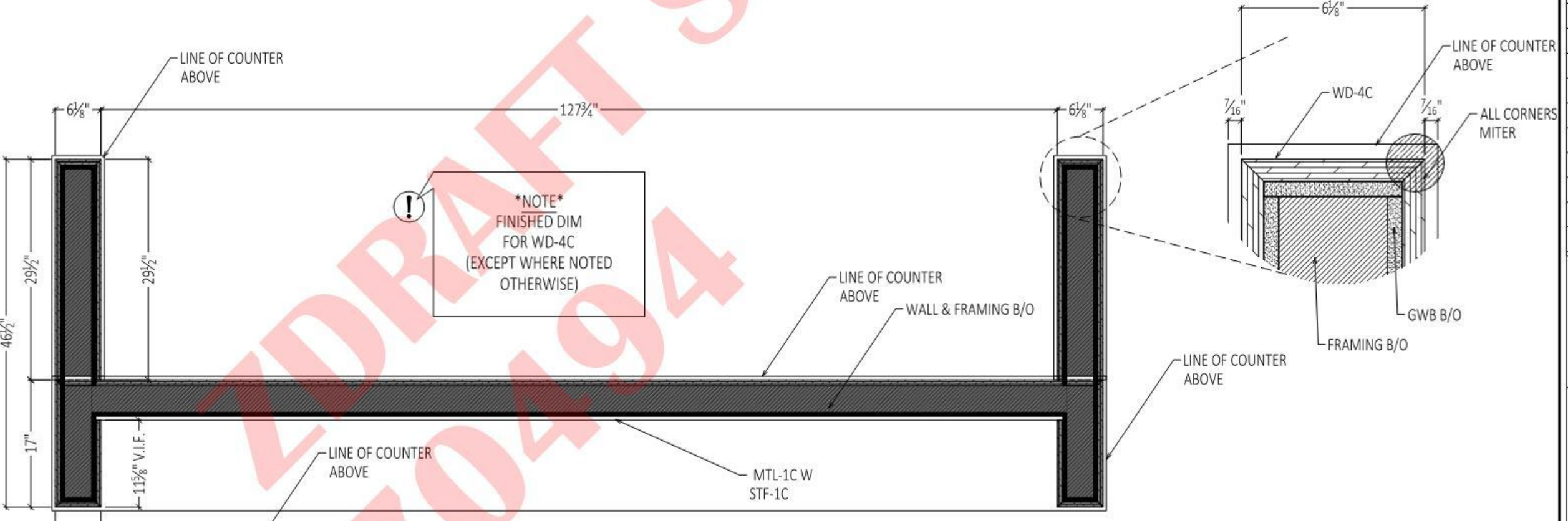
K1 KEY [PLAN - ROOF LOUNGE]
 COUNTER LEVEL 7 Scale: DO NOT
 Arch. Ref. 3/1-1.4B

1 PLAN VIEW - ROOF LOUNGE
 COUNTER LEVEL 7 Scale: 3/4"=1'-0"
 Arch. Ref. 3/1-1.4B

LEGEND			
01	Hardware Resources 154SS Bar Pull, SS Finish		
02	Salice #H110C2J6A99, Series 200 Hinge, +110° Self Close		
03	Salice Hinge Mntg. Plate		
04	Blum Slide 563, Undermount Soft-close		
05	5mm Shelf Pin, Hafele 282.04.711, Nickel Plated		
06	Richelieu Aluminum Edge Pull 98983310		
08	Cabinet Lock: RICHELIEU #BP140001140 Opposing door thumb latch (not shown)		
10	FastCap SpeedBrace Bracket;White; Size: V.I.F.		
11	RICHELIEU - Triade 1621412G (Mod to fit) C.W WEBKIT #1216866 (Drywall kit)		
20	Z-Clip, Richelieu #5075070		
PL-1C	Plastic Laminate, Pionite, Upland Stone , MG160-W / Slate Fin		
PL-2C	Plastic Laminate, Pionite, First and Main / AG031, Suede Fin		
PL-3C	Plastic Laminate, To Be Specified		
WD-4C	BAMBOO PLYWOOD , Amber Edge Grain		
WD-6C	Solid Oak - Match Approved Sample		
SS-1C	CAESARSTONE, Clam Shell 4130 (3CM)		
ML-1	Melamine, White		
CL-1	Cabinet Liner		
millwork/casework by:			
A2ZDRAFT.COM			
1-855-999-0062			
project:			
PROJECT RETAIL			
PROJECT RETAIL			
PROJECT RETAIL			
drawn by: ZD-EN			
date	20-09-02	job#	70494
revisions		sheet	10.01



2 PLAN VIEW - FRAMING & GWB
COUNTER LEVEL 7 Scale: 3/4"=1'-0"
Arch. Ref. 3/1-1.4B



3 PLAN VIEW WD-4C
COUNTER LEVEL 7 Scale: 3/4"=1'-0"
Arch. Ref. 3/1-1.4B

LEGEND

- 01 Hardware Resources 154SS Bar Pull, SS Finish
- 02 Salice #H110C2J6A99, Series 200 Hinge, +110° Self Close
- 03 Salice Hinge Mntg. Plate
- 04 Blum Slide 563, Undermount Soft-close
- 05 5mm Shelf Pin, Hafele 282.04.711, Nickel Plated
- 06 Richelieu Aluminum Edge Pull 98983310
- 08 Cabinet Lock: RICHELIEU #BP140001140
Opposing door thumb latch (not shown)
- 10 FastCap SpeedBrace Bracket; White; Size: V.I.F.
- 11 RICHELIEU - Triade 1621412G (Mod to fit)
C.W WEBKIT #1216866 (Drywall kit)
- 20 Z-Clip, Richelieu #5075070

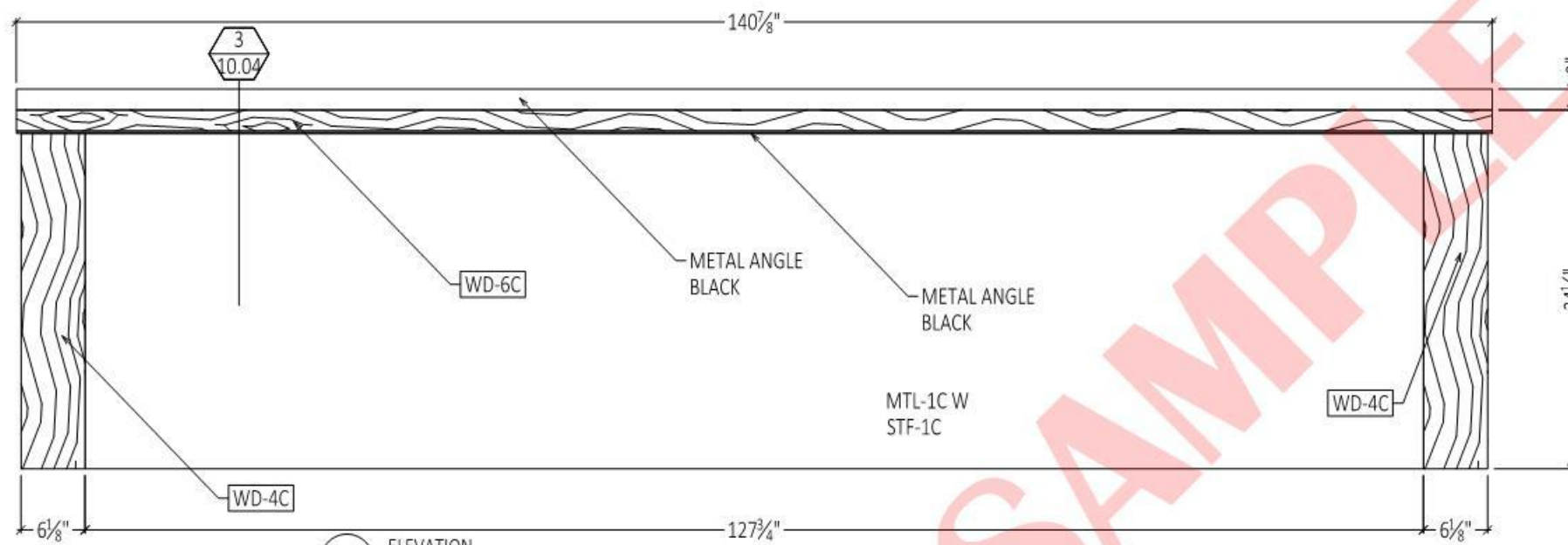
- PL-1C Plastic Laminate, Pionite, Upland Stone, MG160-W / Slate Fin
- PL-2C Plastic Laminate, Pionite, First and Main / AG031, Suede Fin
- PL-3C Plastic Laminate, To Be Specified
- WD-4C BAMBOO PLYWOOD, Amber Edge Grain
- WD-6C Solid Oak - Match Approved Sample
- SS-1C CAESARSTONE, Clam Shell 4130 (3CM)
- ML-1 Melamine, White
- CL-1 Cabinet Liner

millwork/casework by:
A2ZDRAFT.COM
1-855-999-0062

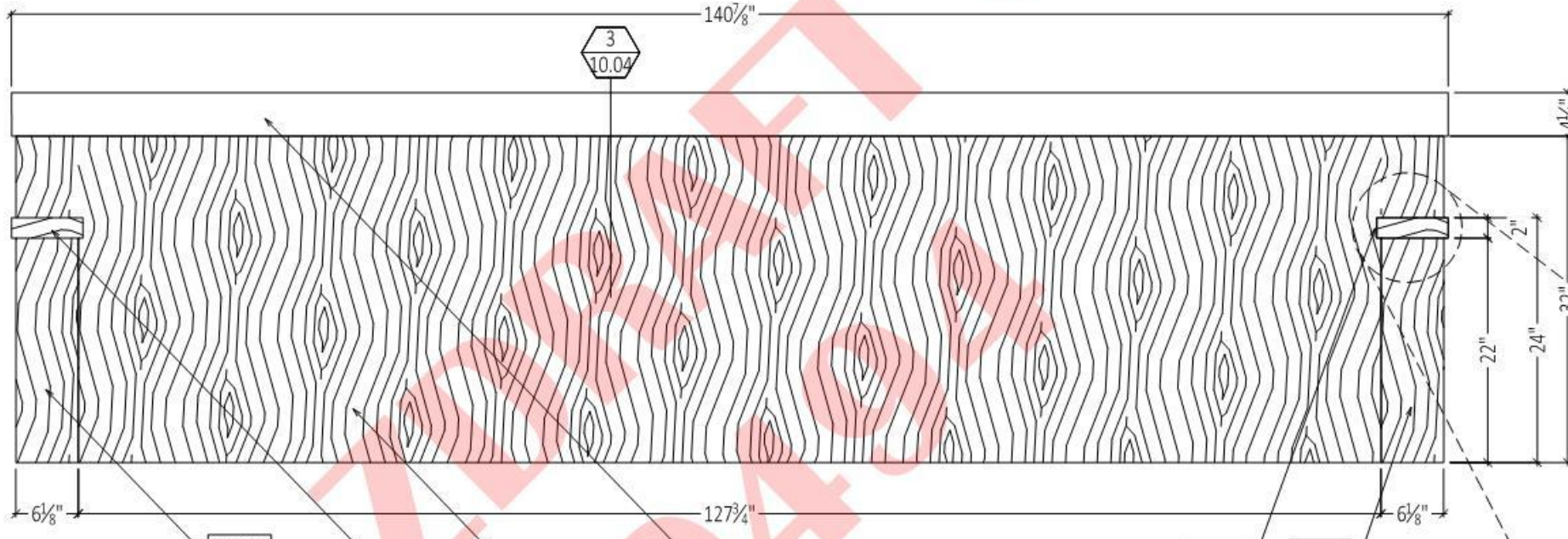
project:
PROJECT RETAIL
PROJECT RETAIL
PROJECT RETAIL

drawn by: ZD-EN

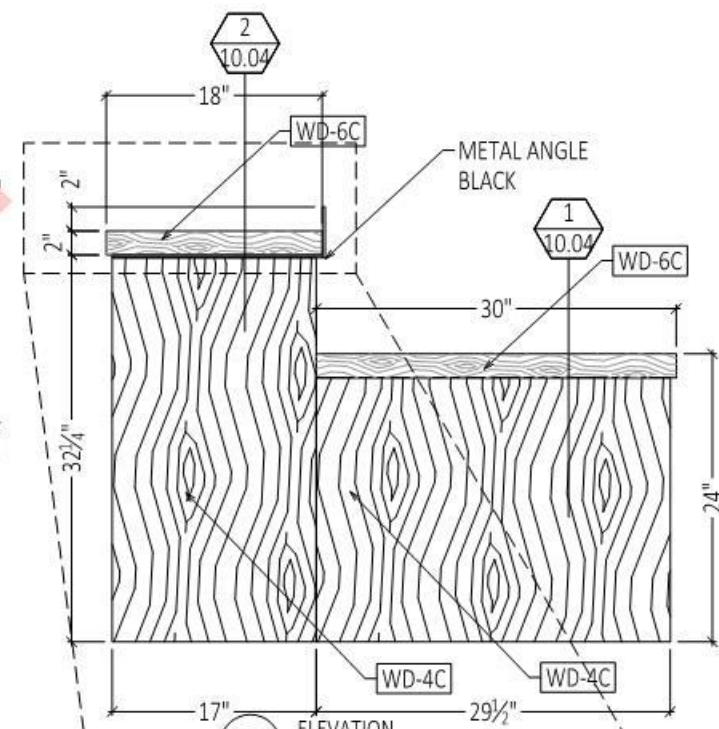
date	20-10-08	job#	70494
revisions		sheet	10.02



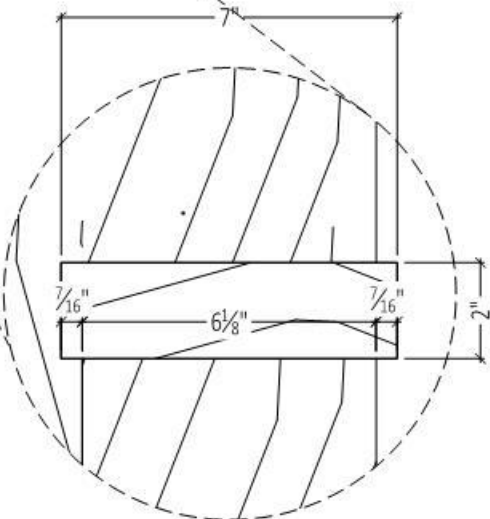
A ELEVATION
COUNTER LEVEL 7 Scale: 3/4"=1'-0"
Arch. Ref. 19/1-3.11



B ELEVATION
COUNTER LEVEL 7 Scale: 3/4"=1'-0"
Arch. Ref.:



C ELEVATION
COUNTER LEVEL 7 Scale: 3/4"=1'-0"
Arch. Ref. 20/1-3.11



LEGEND

- (01) Hardware Resources 154SS Bar Pull, SS Finish
- (02) Salice #H110C2J6A99, Series 200 Hinge, +110° Self Close
- (03) Salice Hinge Mntg. Plate
- (04) Blum Slide 563, Undermount Soft-close
- (05) 5mm Shelf Pin, Hafele 282.04.711, Nickel Plated
- (06) Richelieu Aluminum Edge Pull 98983310
- (08) Cabinet Lock: RICHELIEU #BP140001140 Opposing door thumb latch (not shown)
- (10) FastCap SpeedBrace Bracket;White; Size: V.I.F.
- (11) RICHELIEU - Triade 1621412G (Mod to fit) C.W WEBKIT #1216866 (Drywall kit)
- (20) Z-Clip, Richelieu #5075070

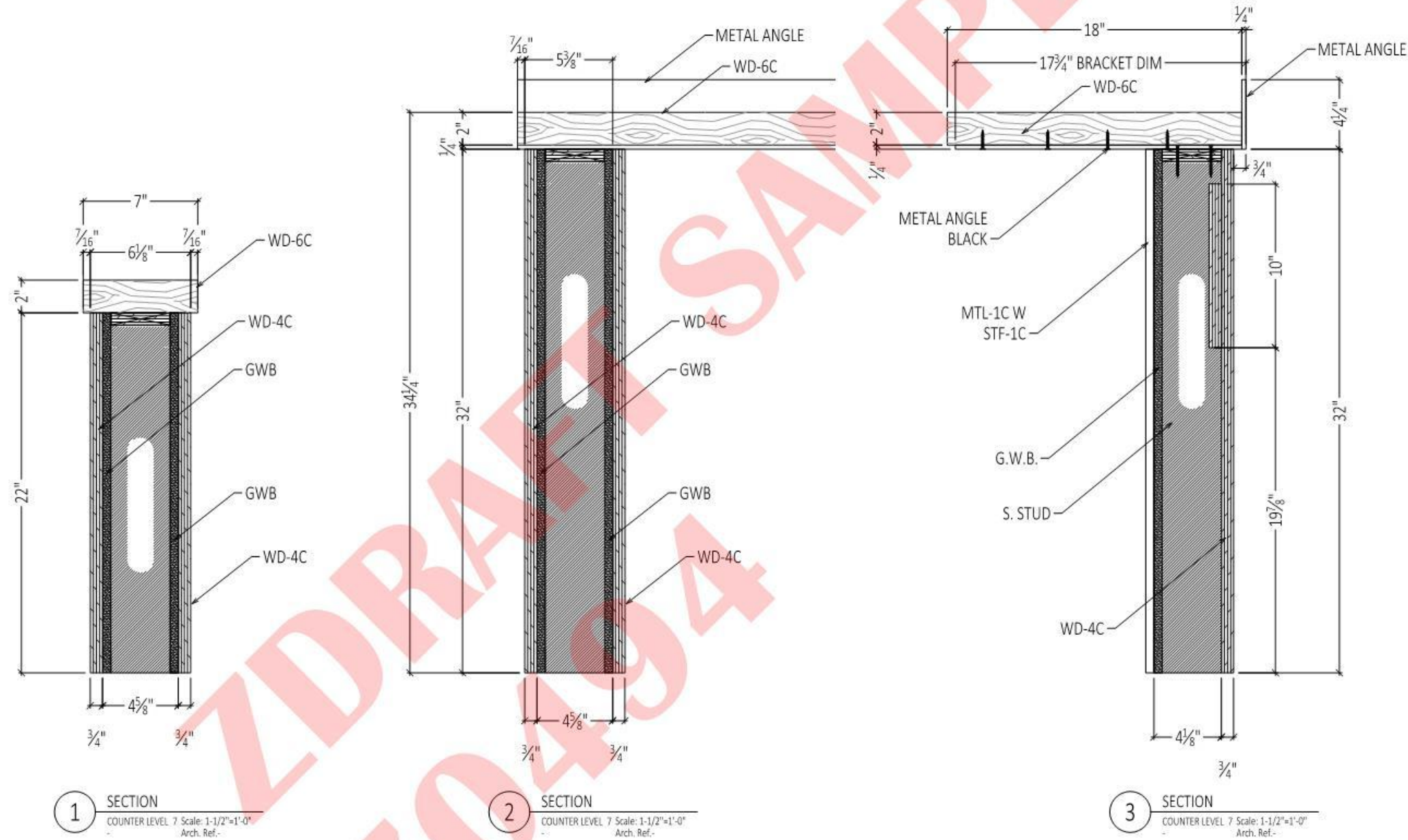
- PL-1C Plastic Laminate, Pionite, Upland Stone, MG160-W / Slate Fin
- PL-2C Plastic Laminate, Pionite, First and Main / AG031, Suede Fin
- PL-3C Plastic Laminate, To Be Specified
- WD-4C BAMBOO PLYWOOD, Amber Edge Grain
- WD-6C Solid Oak - Match Approved Sample
- SS-1C CAESARSTONE, Clam Shell 4130 (3CM)
- ML-1 Melamine, White
- CL-1 Cabinet Liner

millwork/casework by:
A2ZDRAFT.COM
1-855-999-0062

project:
PROJECT RETAIL
PROJECT RETAIL
PROJECT RETAIL

drawn by: ZD-EN

date	20-09-02	job#	70494
revisions		sheet	10.03



1 SECTION
COUNTER LEVEL 7 Scale: 1-1/2"=1'-0"
Arch. Ref.

2 SECTION
COUNTER LEVEL 7 Scale: 1-1/2"=1'-0"
Arch. Ref.

3 SECTION
COUNTER LEVEL 7 Scale: 1-1/2"=1'-0"
Arch. Ref.

LEGEND

- 01 Hardware Resources 154SS Bar Pull, SS Finish
- 02 Salice #H110C2J6A99, Series 200 Hinge, +110° Self Close
- 03 Salice Hinge Mntg. Plate
- 04 Blum Slide 563, Undermount Soft-close
- 05 5mm Shelf Pin, Hafele 282.04.711, Nickel Plated
- 06 Richelieu Aluminum Edge Pull 98983310
- 08 Cabinet Lock: RICHELIEU #BP140001140
Opposing door thumb latch (not shown)
- 10 FastCap SpeedBrace Bracket;White; Size: V.I.F.
- 11 RICHELIEU - Triade 1621412G (Mod to fit)
C.W WEBKIT #1216866 (Drywall kit)
- 20 Z-Clip, Richelieu #5075070

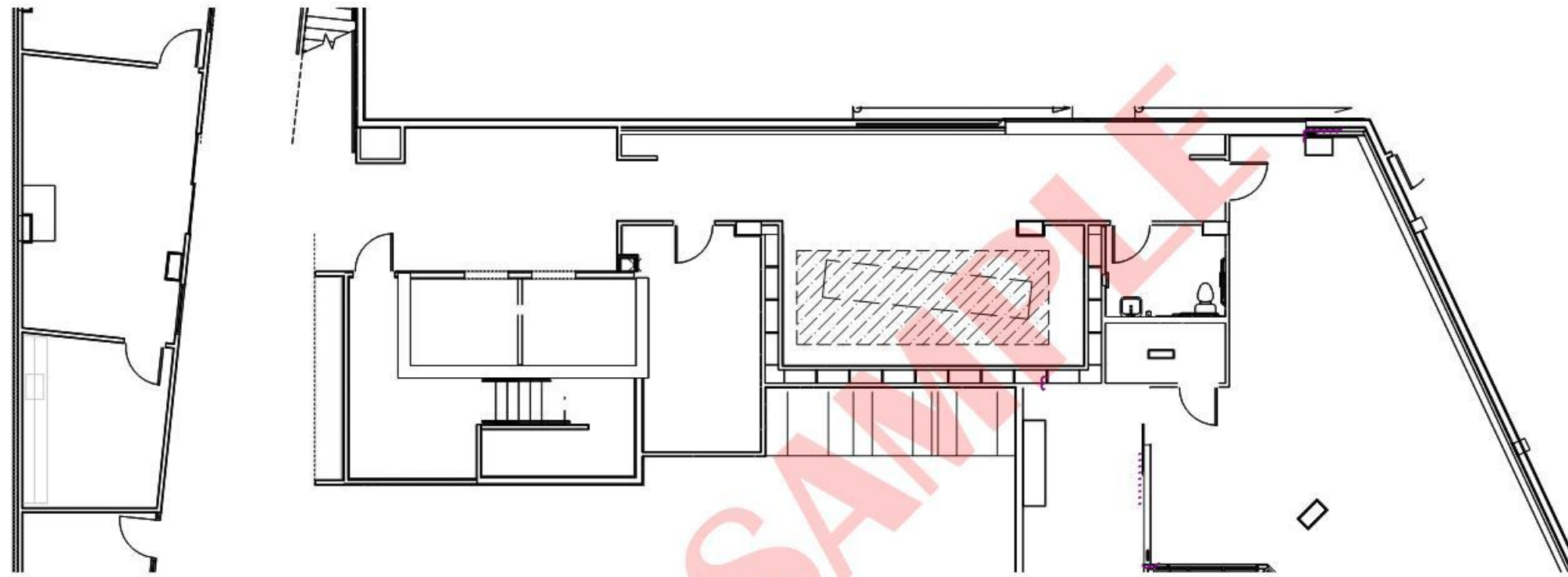
- PL-1C Plastic Laminate, Pionite,
Upland Stone , MG160-W / Slate Fin
- PL-2C Plastic Laminate, Pionite,
First and Main / AG031, Suede Fin
- PL-3C Plastic Laminate, To Be Specified
- WD-4C BAMBOO PLYWOOD , Amber Edge Grain
- WD-6C Solid Oak - Match Approved Sample
- SS-1C CAESARSTONE, Clam Shell 4130 (3CM)
- ML-1 Melamine, White
- CL-1 Cabinet Liner

millwork/casework by:
A2ZDRAFT.COM
1-855-999-0062

project:
PROJECT RETAIL
PROJECT RETAIL
PROJECT RETAIL

drawn by: ZD-EN

date	20-09-02	job#	70494
revisions		sheet	10.04



K1 KEY PLAN
MAILBOX ISLAND Scale: = NTS
Arch. Ref. 5/I-1.1

1 PLAN VIEW - MAIL RM ISLAND
MAIL RM 120 Scale: 3/4"=1'-0"
Arch. Ref. 23/I-3.7

LEGEND

- 01 Hardware Resources 154SS Bar Pull, SS Finish
- 02 Salice #H110C2J6A99, Series 200 Hinge, +110° Self Close
- 03 Salice Hinge Mntg. Plate
- 04 Blum Slide 563, Undermount Soft-close
- 05 5mm Shelf Pin, Hafele 282.04.711, Nickel Plated
- 06 Richelieu Aluminum Edge Pull 98983310
- 08 Cabinet Lock: RICHELIEU #BP140001140
Opposing door thumb latch (not shown)
- 10 FastCap SpeedBrace Bracket;White; Size: V.I.F.
- 11 RICHELIEU - Triade 1621412G (Mod to fit)
C.W WEBKIT #1216866 (Drywall kit)
- 20 Z-Clip, Richelieu #5075070

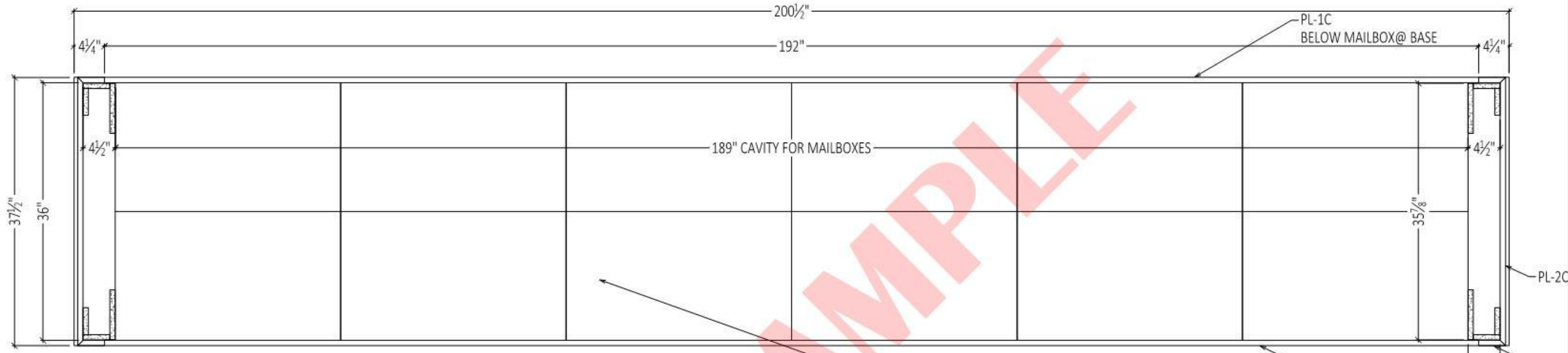
- PL-1C Plastic Laminate, Pionite,
Upland Stone , MG160-W / Slate Fin
- PL-2C Plastic Laminate, Pionite,
First and Main / AG031, Suede Fin
- PL-3C Plastic Laminate, To Be Specified
- WD-4C BAMBOO PLYWOOD , Amber Edge Grain
- WD-6C Solid Oak - Match Approved Sample
- SS-1C CAESARSTONE, Clam Shell 4130 (3CM)
- ML-1 Melamine, White
- CL-1 Cabinet Liner

millwork/casework by:
A2ZDRAFT.COM
1-855-999-0062

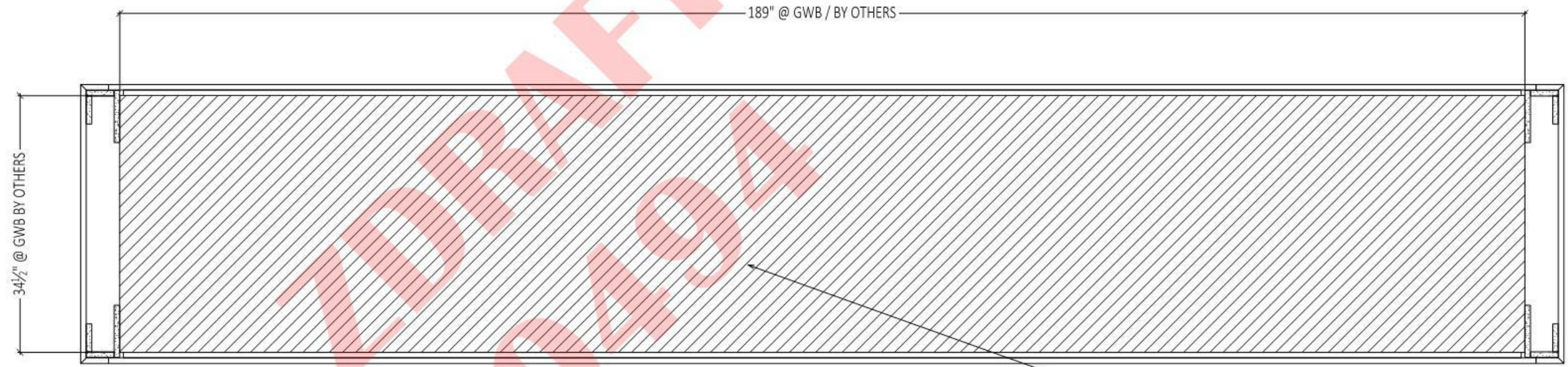
project:
PROJECT RETAIL
PROJECT RETAIL
PROJECT RETAIL

drawn by: ZD-EN

date	20-09-02	job#	70494
revisions		sheet	11.01



B PLAN SECTION - MAIL RM ISLAND (@ MAILBOX)
 MAIL RM 120 Scale: 3/4"=1'-0"
 Arch. Ref. 23/1-3.7



C PLAN SECTION - MAIL RM ISLAND (@ GWB BASE)
 MAIL RM 120 Scale: 3/4"=1'-0"
 Arch. Ref. 23/1-3.7

LEGEND

- 01 Hardware Resources 154SS Bar Pull, SS Finish
- 02 Salice #H110C2J6A99, Series 200 Hinge, +110° Self Close
- 03 Salice Hinge Mntg. Plate
- 04 Blum Slide 563, Undermount Soft-close
- 05 5mm Shelf Pin, Hafele 282.04.711, Nickel Plated
- 06 Richelieu Aluminum Edge Pull 98983310
- 08 Cabinet Lock: RICHELIEU #BP140001140
Opposing door thumb latch (not shown)
- 10 FastCap SpeedBrace Bracket; White; Size: V.I.F.
- 11 RICHELIEU - Triade 1621412G (Mod to fit)
C.W WEBKIT #1216866 (Drywall kit)
- 20 Z-Clip, Richelieu #5075070

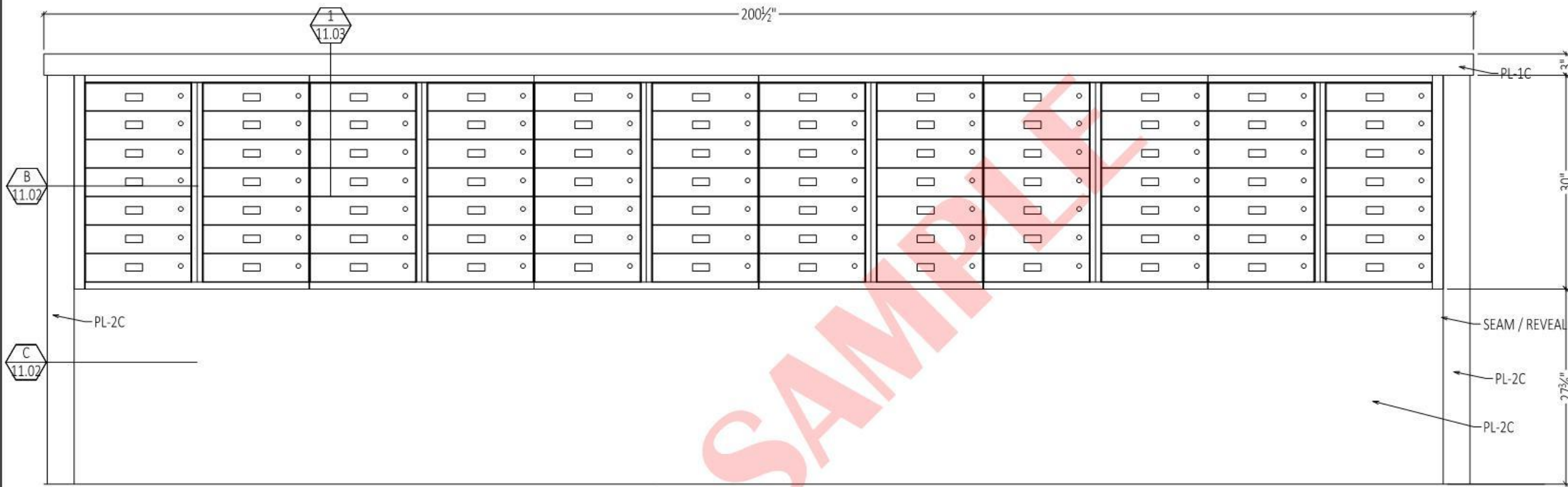
- PL-1C Plastic Laminate, Pionite,
Upland Stone, MG160-W / Slate Fin
- PL-2C Plastic Laminate, Pionite,
First and Main / AG031, Suede Fin
- PL-3C Plastic Laminate, To Be Specified
- WD-4C BAMBOO PLYWOOD, Amber Edge Grain
- WD-6C Solid Oak - Match Approved Sample
- SS-1C CAESARSTONE, Clam Shell 4130 (3CM)
- ML-1 Melamine, White
- CL-1 Cabinet Liner

millwork/casework by:
A2DRAFT.COM
 1-855-999-0062

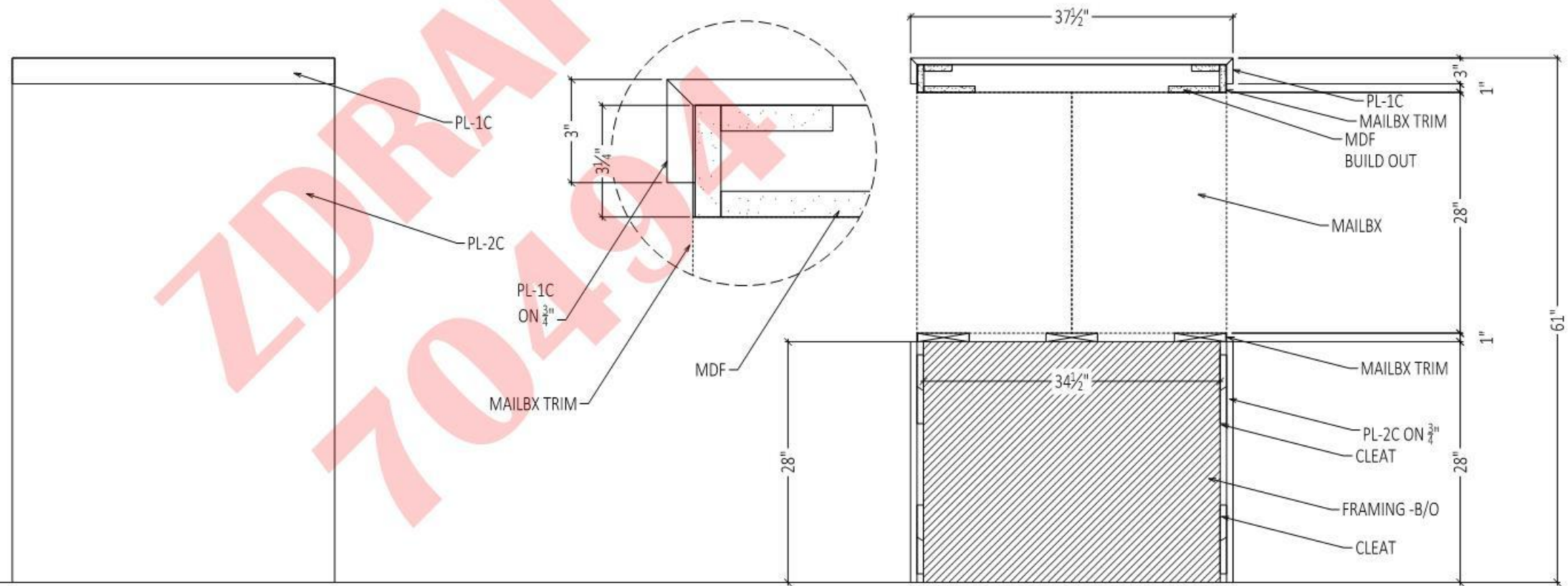
project:
 PROJECT RETAIL
 PROJECT RETAIL
 PROJECT RETAIL

drawn by: ZD-EN

date	20-09-02	job#	70494
revisions		sheet	11.02



A ELEVATION
MAIL RM 120 Scale: 3/4"=1'-0"
Arch. Ref. 23/1-3.7



1 SECTION
MAIL RM 120 Scale: 3/4"=1'-0"
Arch. Ref. 23/1-3.7

B ELEVATION
MAIL RM 120 Scale: 3/4"=1'-0"
Arch. Ref. 23/1-3.7

LEGEND

- (01) Hardware Resources 154SS Bar Pull, SS Finish
- (02) Salice #H110C2J6A99, Series 200 Hinge, +110° Self Close
- (03) Salice Hinge Mntg. Plate
- (04) Blum Slide 563, Undermount Soft-close
- (05) 5mm Shelf Pin, Hafele 282.04.711, Nickel Plated
- (06) Richelieu Aluminum Edge Pull 98983310
- (08) Cabinet Lock: RICHELIEU #BP140001140
Opposing door thumb latch (not shown)
- (10) FastCap SpeedBrace Bracket;White; Size: V.I.F.
- (11) RICHELIEU - Triade 1621412G (Mod to fit)
C.W WEBKIT #1216866 (Drywall kit)
- (20) Z-Clip, Richelieu #5075070

- PL-1C Plastic Laminate, Pionite,
Upland Stone , MG160-W / Slate Fin
- PL-2C Plastic Laminate, Pionite,
First and Main / AG031, Suede Fin
- PL-3C Plastic Laminate, To Be Specified
- WD-4C BAMBOO PLYWOOD , Amber Edge Grain
- WD-6C Solid Oak - Match Approved Sample
- SS-1C CAESARSTONE, Clam Shell 4130 (3CM)
- ML-1 Melamine, White
- CL-1 Cabinet Liner

millwork/casework by:
A2ZDRAFT.COM
1-855-999-0062

project:
PROJECT RETAIL
PROJECT RETAIL
PROJECT RETAIL

drawn by: ZD-EN

date	20-09-02	job#	70494
revisions		sheet	11.03

LEGEND

- 01 Hardware Resources 154SS Bar Pull, SS Finish
- 02 Salice #H110C2J6A99, Series 200 Hinge, +110° Self Close
- 03 Salice Hinge Mntg. Plate
- 04 Blum Slide 563, Undermount Soft-close
- 05 5mm Shelf Pin, Hafele 282.04.711, Nickel Plated
- 06 Richelieu Aluminum Edge Pull 98983310
- 08 Cabinet Lock: RICHELIEU #BP140001140
Opposing door thumb latch (not shown)
- 10 FastCap SpeedBrace Bracket;White; Size: V.I.F.
- 11 RICHELIEU - Triade 1621412G (Mod to fit)
C.W WEBKIT #1216866 (Drywall kit)
- 20 Z-Clip, Richelieu #5075070

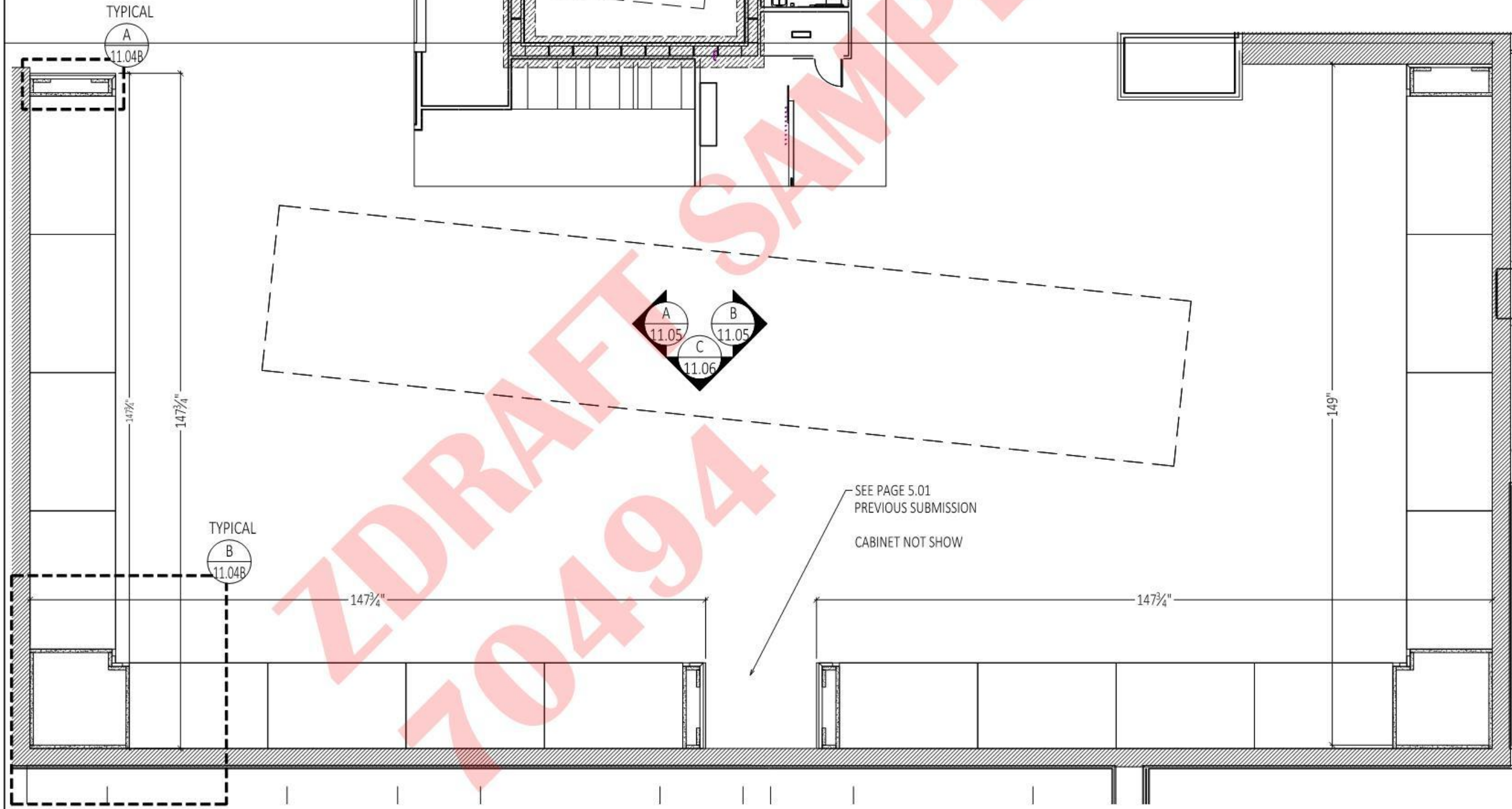
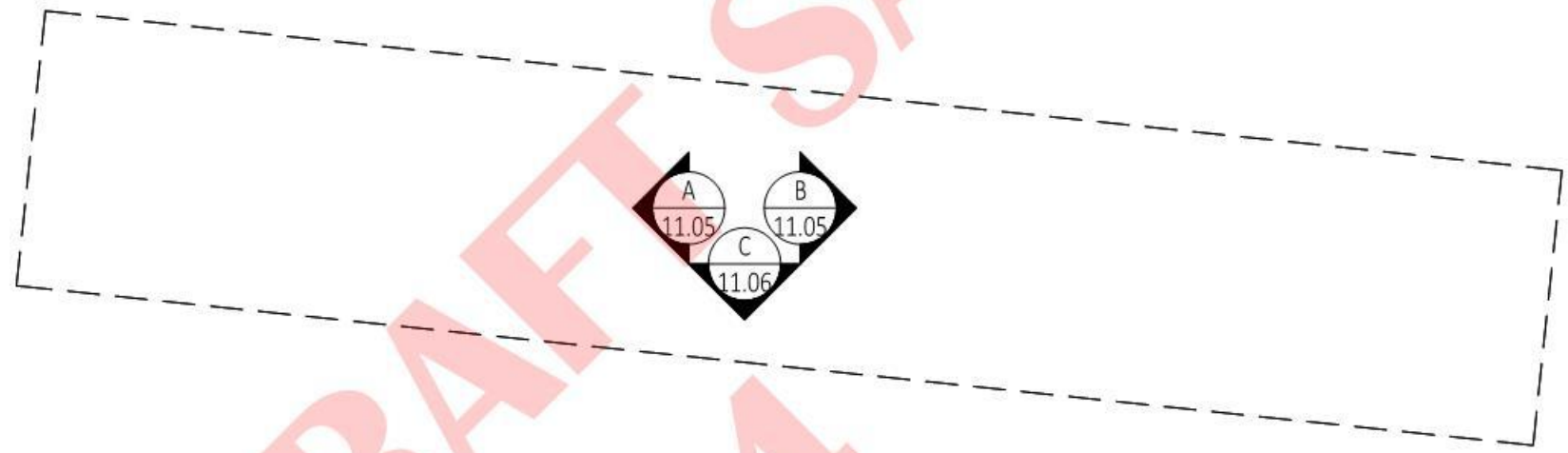
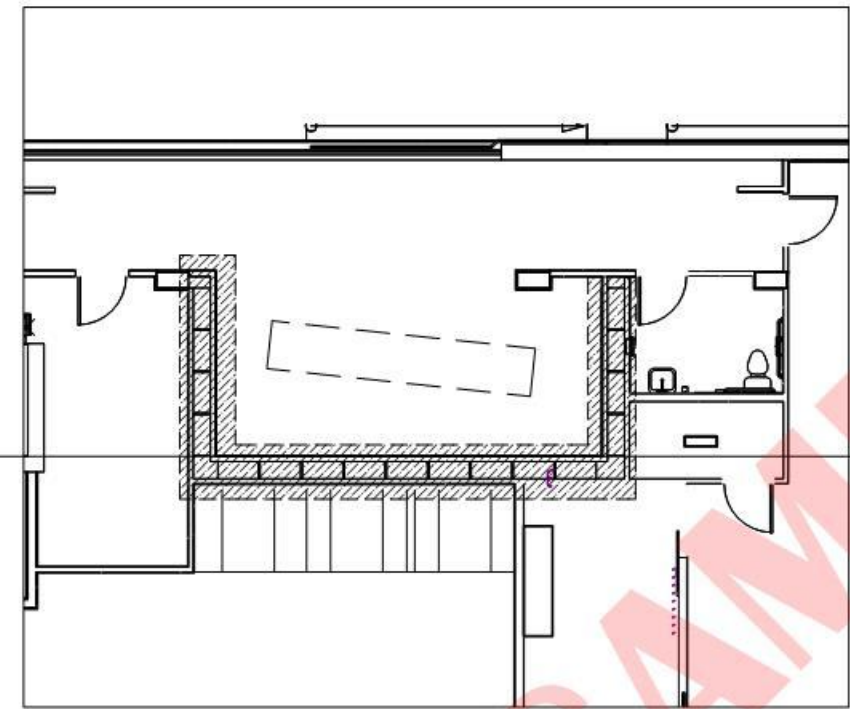
- PL-1C Plastic Laminate, Pionite,
Upland Stone , MG160-W / Slate Fin
- PL-2C Plastic Laminate, Pionite,
First and Main / AG031, Suede Fin
- PL-3C Plastic Laminate, To Be Specified
- WD-4C BAMBOO PLYWOOD , Amber Edge Grain
- WD-6C Solid Oak - Match Approved Sample
- SS-1C CAESARSTONE, Clam Shell 4130 (3CM)
- ML-1 Melamine, White
- CL-1 Cabinet Liner

millwork/casework by:
A2ZDRAFT.COM
1-855-999-0062

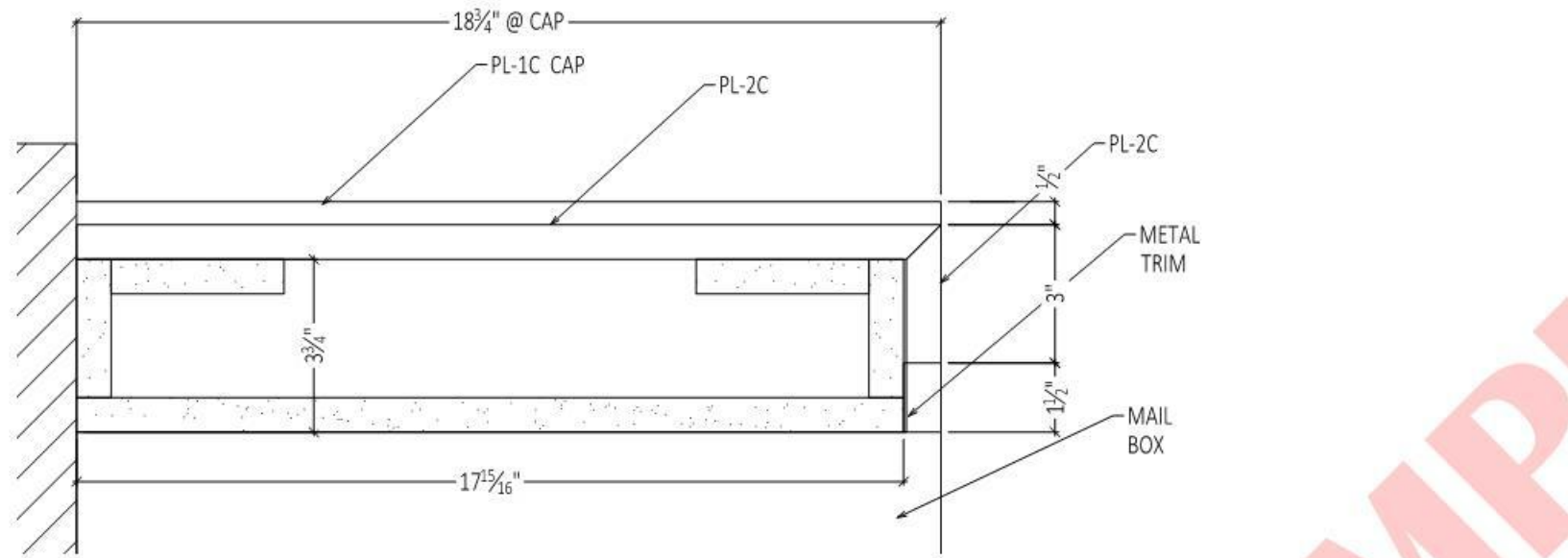
project:
 PROJECT RETAIL
 PROJECT RETAIL
 PROJECT RETAIL

drawn by: ZD-EN

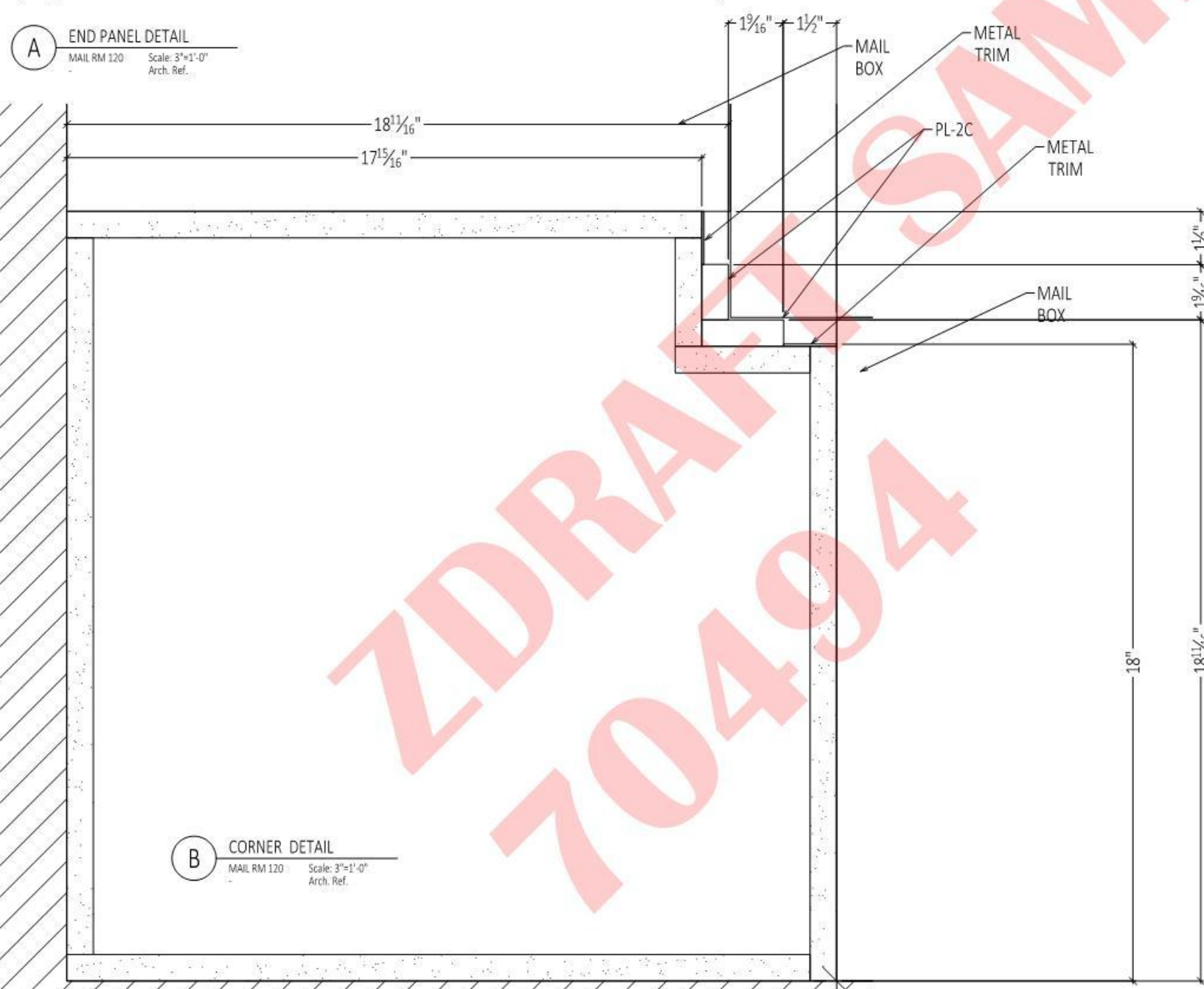
date	20-10-08	job#	70494
revisions		sheet	11.04



SEE PAGE 5.01
 PREVIOUS SUBMISSION
 CABINET NOT SHOW



A END PANEL DETAIL
MAIL RM 120 Scale: 3/8"=1'-0"
Arch. Ref.



B CORNER DETAIL
MAIL RM 120 Scale: 3/8"=1'-0"
Arch. Ref.

LEGEND

- (01) Hardware Resources 154SS Bar Pull, SS Finish
- (02) Salice #H110C2J6A99, Series 200 Hinge, +110° Self Close
- (03) Salice Hinge Mntg. Plate
- (04) Blum Slide 563, Undermount Soft-close
- (05) 5mm Shelf Pin, Hafele 282.04.711, Nickel Plated
- (06) Richelieu Aluminum Edge Pull 98983310
- (08) Cabinet Lock: RICHELIEU #BP140001140
Opposing door thumb latch (not shown)
- (10) FastCap SpeedBrace Bracket;White; Size: V.I.F.
- (11) RICHELIEU - Triade 1621412G (Mod to fit)
C.W WEBKIT #1216866 (Drywall kit)
- (20) Z-Clip, Richelieu #5075070

- PL-1C Plastic Laminate, Pionite, Upland Stone, MG160-W / Slate Fin
- PL-2C Plastic Laminate, Pionite, First and Main / AG031, Suede Fin
- PL-3C Plastic Laminate, To Be Specified
- WD-4C BAMBOO PLYWOOD, Amber Edge Grain
- WD-6C Solid Oak - Match Approved Sample
- SS-1C CAESARSTONE, Clam Shell 4130 (3CM)
- ML-1 Melamine, White
- CL-1 Cabinet Liner

millwork/casework by:
A2ZDRAFT.COM
1-855-999-0062

project:
PROJECT RETAIL
PROJECT RETAIL
PROJECT RETAIL

drawn by: ZD-EN

date	20-10-08	job#	70494
revisions		sheet	11.04

LEGEND

- (01) Hardware Resources 154SS Bar Pull, SS Finish
- (02) Salice #H110C2J6A99, Series 200 Hinge, +110° Self Close
- (03) Salice Hinge Mntg. Plate
- (04) Blum Slide 563, Undermount Soft-close
- (05) 5mm Shelf Pin, Hafele 282.04.711, Nickel Plated
- (06) Richelieu Aluminum Edge Pull 98983310
- (08) Cabinet Lock: RICHELIEU #BP140001140
Opposing door thumb latch (not shown)
- (10) FastCap SpeedBrace Bracket; White; Size: V.I.F.
- (11) RICHELIEU - Triade 1621412G (Mod to fit)
C.W. WEBKIT #1216866 (Drywall kit)
- (20) Z-Clip, Richelieu #5075070

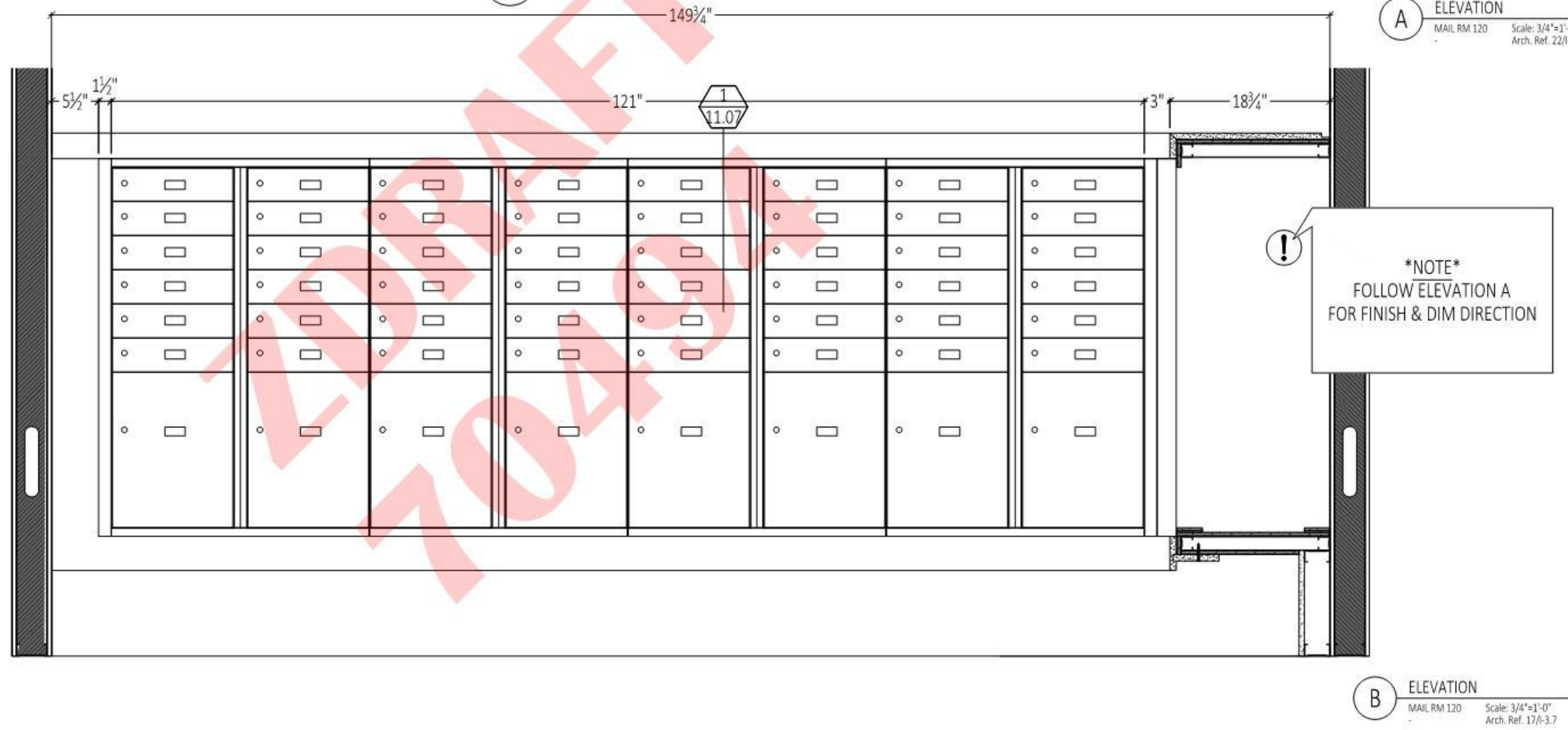
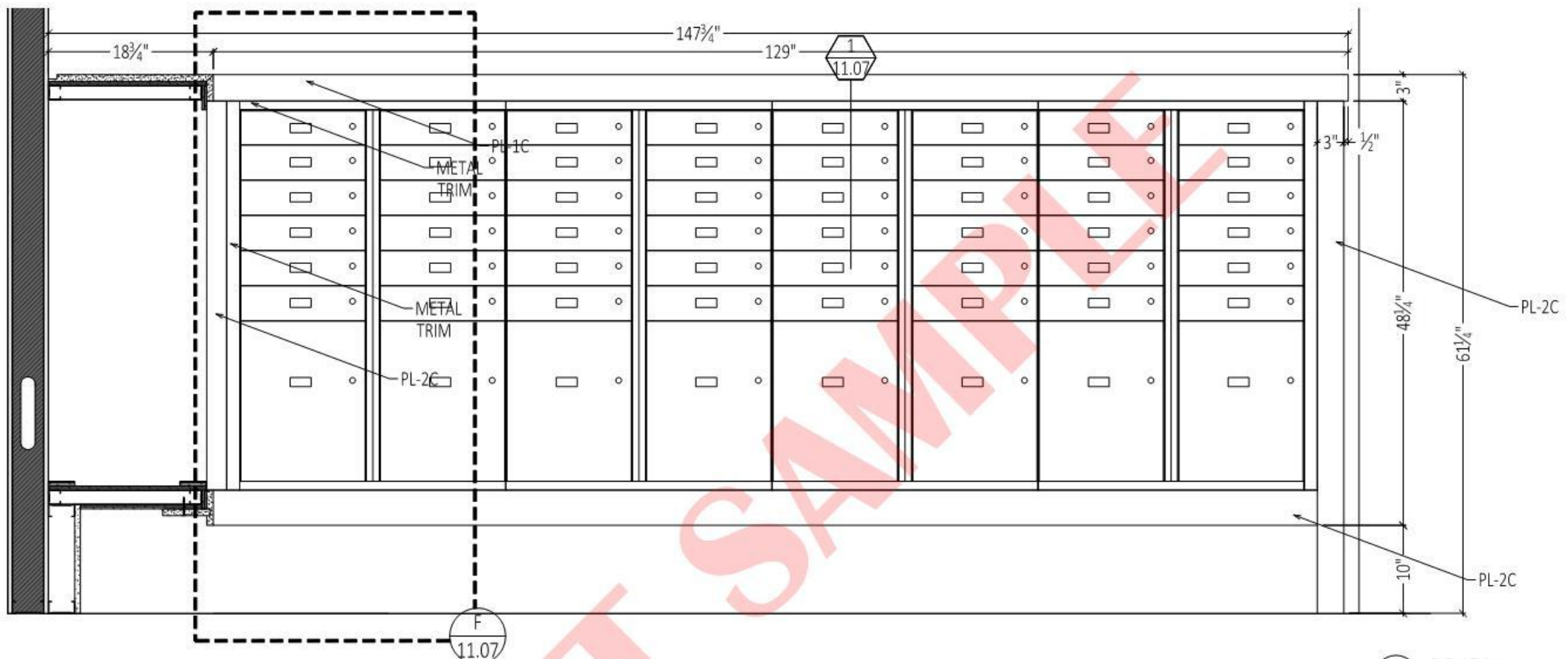
- PL-1C Plastic Laminate, Pionite, Upland Stone, MG160-W / Slate Fin
- PL-2C Plastic Laminate, Pionite, First and Main / AG031, Suede Fin
- PL-3C Plastic Laminate, To Be Specified
- WD-4C BAMBOO PLYWOOD, Amber Edge Grain
- WD-6C Solid Oak - Match Approved Sample
- SS-1C CAESARSTONE, Clam Shell 4130 (3CM)
- ML-1 Melamine, White
- CL-1 Cabinet Liner

millwork/casework by:
A2ZDRAFT.COM
1-855-999-0062

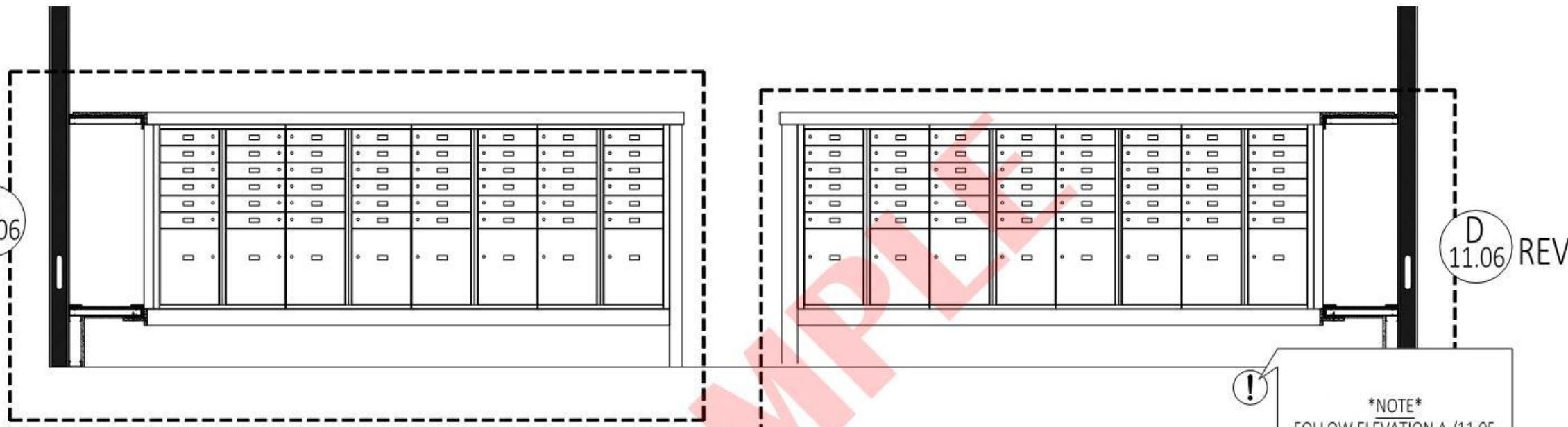
project:
 PROJECT RETAIL
 PROJECT RETAIL
 PROJECT RETAIL

drawn by: ZD-EN

date	20-10-08	job#	70494
revisions		sheet	11.05



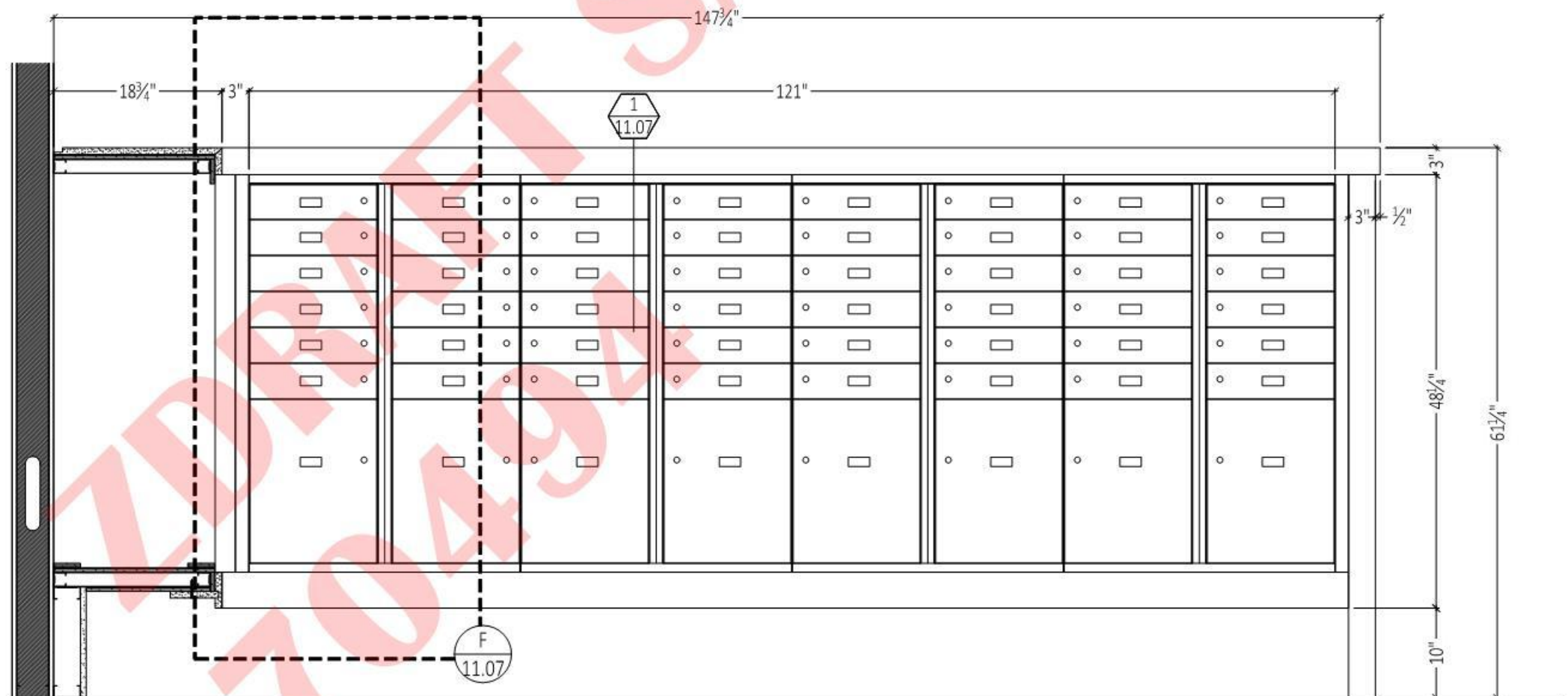
D
11.06



D
11.06 REV

! *NOTE*
FOLLOW ELEVATION A /11.05
FOR FINISH & DIM DIRECTION

C ELEVATION
MAIL RM 120 Scale: 3/8"=1'-0"
Arch. Ref. 20/1-3.7



D ELEVATION
MAIL RM 120 Scale: 3/4"=1'-0"
Arch. Ref. 20/1-3.7

LEGEND

- 01 Hardware Resources 154SS Bar Pull, SS Finish
- 02 Salice #H110C2J6A99, Series 200 Hinge, +110° Self Close
- 03 Salice Hinge Mntg. Plate
- 04 Blum Slide 563, Undermount Soft-close
- 05 5mm Shelf Pin, Hafele 282.04.711, Nickel Plated
- 06 Richelieu Aluminum Edge Pull 98983310
- 08 Cabinet Lock: RICHELIEU #BP140001140
Opposing door thumb latch (not shown)
- 10 FastCap SpeedBrace Bracket;White; Size: V.I.F.
- 11 RICHELIEU - Triade 1621412G (Mod to fit)
C.W WEBKIT #1216866 (Drywall kit)
- 20 Z-Clip, Richelieu #5075070

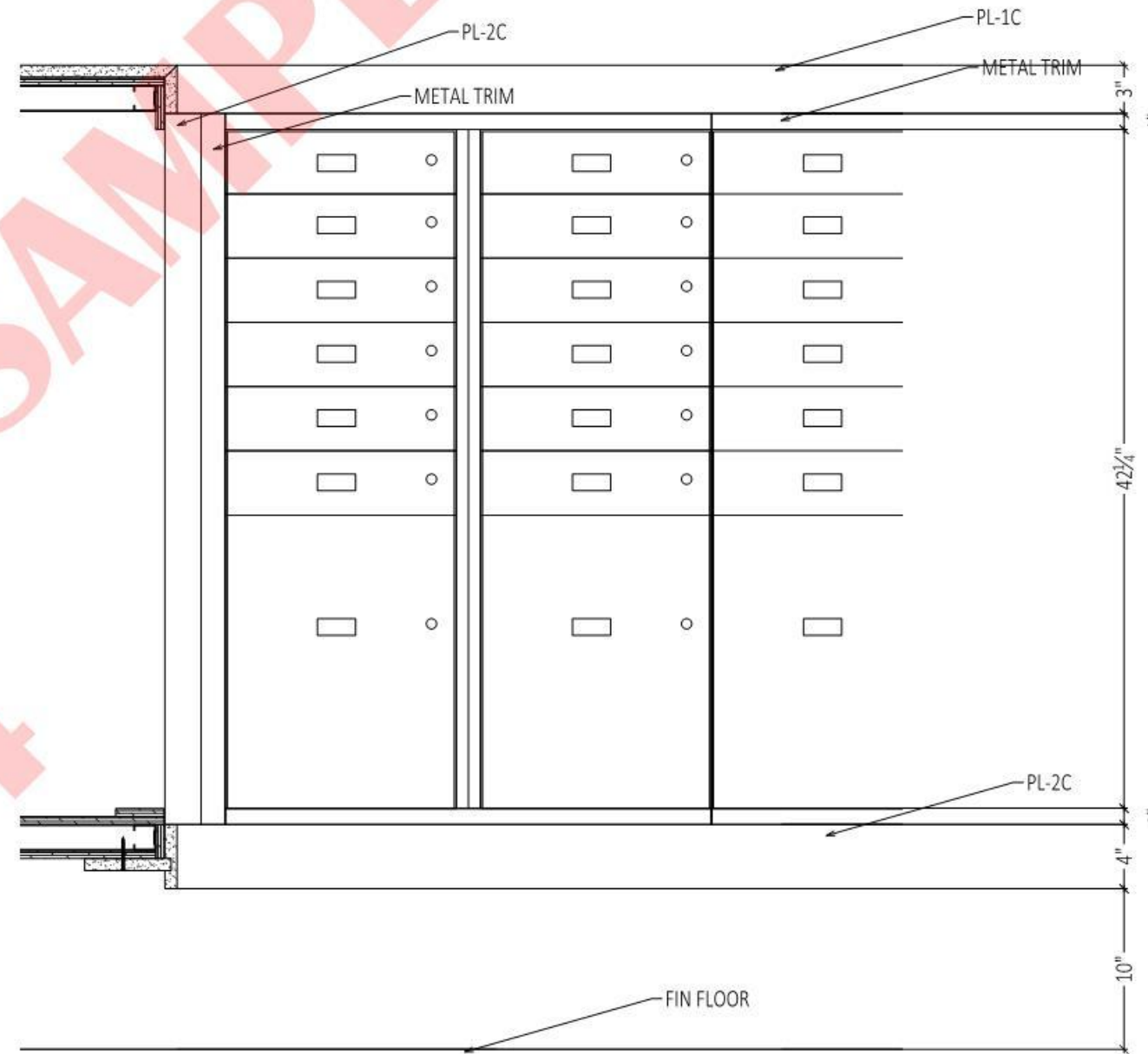
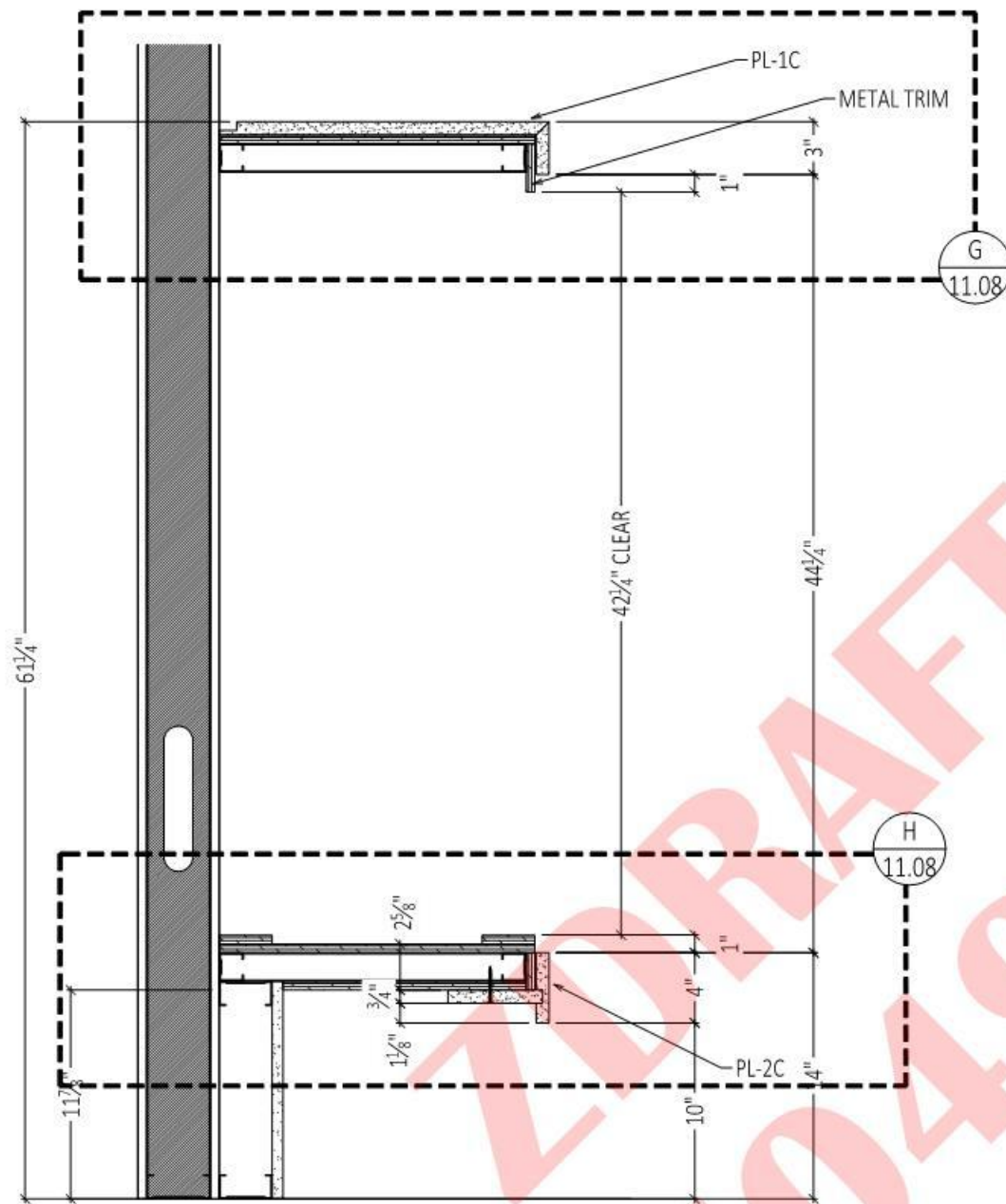
- PL-1C Plastic Laminate, Pionite,
Upland Stone , MG160-W / Slate Fin
- PL-2C Plastic Laminate, Pionite,
First and Main / AG031, Suede Fin
- PL-3C Plastic Laminate, To Be Specified
- WD-4C BAMBOO PLYWOOD , Amber Edge Grain
- WD-6C Solid Oak - Match Approved Sample
- SS-1C CAESARSTONE, Clam Shell 4130 (3CM)
- ML-1 Melamine, White
- CL-1 Cabinet Liner

millwork/casework by:
A2ZDRAFT.COM
1-855-999-0062

project:
PROJECT RETAIL
PROJECT RETAIL
PROJECT RETAIL

drawn by: ZD-EN

date	20-10-08	job#	70494
revisions		sheet	11.06



1 SECTION
MAIL RM 120
Scale: 1"=1'-0"
Arch. Ref.

F SECTION
MAIL RM 120
Scale: 1"=1'-0"
Arch. Ref.

LEGEND

- 01 Hardware Resources 154SS Bar Pull, SS Finish
- 02 Salice #H110C2J6A99, Series 200 Hinge, +110° Self Close
- 03 Salice Hinge Mntg. Plate
- 04 Blum Slide 563, Undermount Soft-close
- 05 5mm Shelf Pin, Hafele 282.04.711, Nickel Plated
- 06 Richelieu Aluminum Edge Pull 98983310
- 08 Cabinet Lock: RICHELIEU #BP140001140
Opposing door thumb latch (not shown)
- 10 FastCap SpeedBrace Bracket; White; Size: V.I.F.
- 11 RICHELIEU - Triade 1621412G (Mod to fit)
C.W WEBKIT #1216866 (Drywall kit)
- 20 Z-Clip, Richelieu #5075070

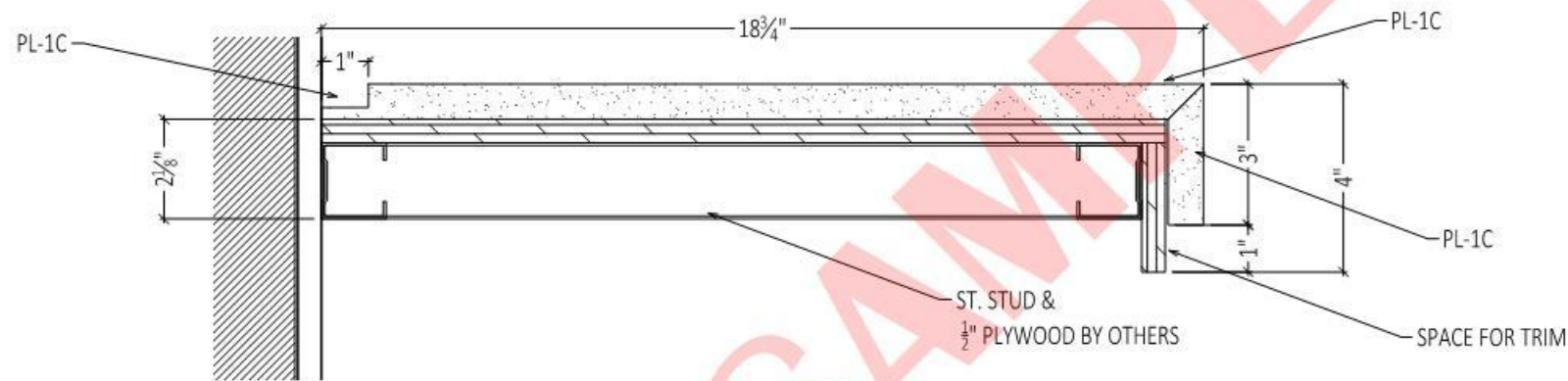
- PL-1C Plastic Laminate, Pionite,
Upland Stone , MG160-W / Slate Fin
- PL-2C Plastic Laminate, Pionite,
First and Main / AG031, Suede Fin
- PL-3C Plastic Laminate, To Be Specified
- WD-4C BAMBOO PLYWOOD , Amber Edge Grain
- WD-6C Solid Oak - Match Approved Sample
- SS-1C CAESARSTONE, Clam Shell 4130 (3CM)
- ML-1 Melamine, White
- CL-1 Cabinet Liner

millwork/casework by:
A2ZDRAFT.COM
1-855-999-0062

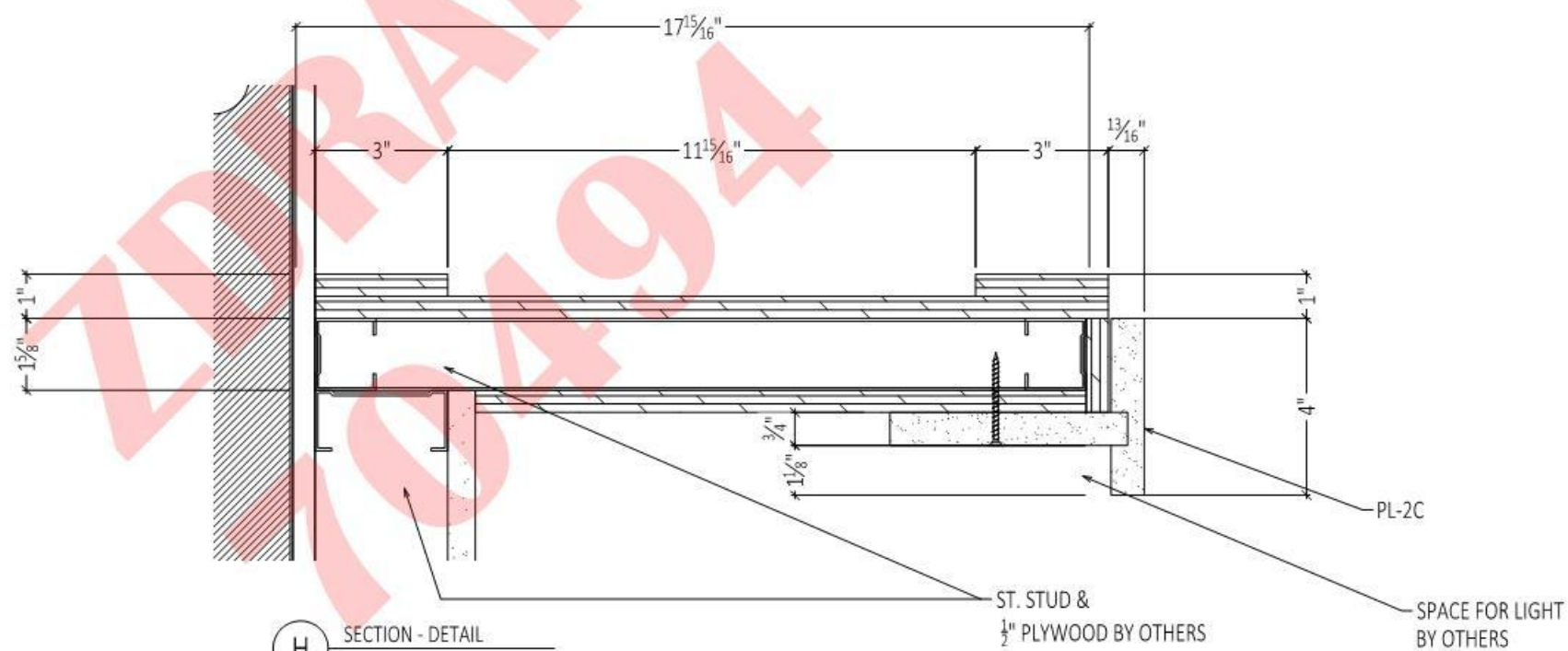
project:
PROJECT RETAIL
PROJECT RETAIL
PROJECT RETAIL

drawn by: ZD-EN

date	20-10-08	job#	70494
revisions		sheet	11.07



G SECTION - DETAIL
MAIL RM 120 Scale: 3"=1'-0"
Arch. Ref.



H SECTION - DETAIL
MAIL RM 120 Scale: 3"=1'-0"
Arch. Ref.

LEGEND

- 01 Hardware Resources 154SS Bar Pull, SS Finish
- 02 Salice #H110C2J6A99, Series 200 Hinge, +110° Self Close
- 03 Salice Hinge Mntg. Plate
- 04 Blum Slide 563, Undermount Soft-close
- 05 5mm Shelf Pin, Hafele 282.04.711, Nickel Plated
- 06 Richelieu Aluminum Edge Pull 98983310
- 08 Cabinet Lock: RICHELIEU #BP140001140
Opposing door thumb latch (not shown)
- 10 FastCap SpeedBrace Bracket;White; Size: V.I.F.
- 11 RICHELIEU - Triade 1621412G (Mod to fit)
C.W WEBKIT #1216866 (Drywall kit)
- 20 Z-Clip, Richelieu #5075070

- PL-1C Plastic Laminate, Pionite,
Upland Stone , MG160-W / Slate Fin
- PL-2C Plastic Laminate, Pionite,
First and Main / AG031, Suede Fin
- PL-3C Plastic Laminate, To Be Specified
- WD-4C BAMBOO PLYWOOD , Amber Edge Grain
- WD-6C Solid Oak - Match Approved Sample
- SS-1C CAESARSTONE, Clam Shell 4130 (3CM)
- ML-1 Melamine, White
- CL-1 Cabinet Liner

millwork/casework by:
A2DRAFT.COM
1-855-999-0062

project:
PROJECT RETAIL
PROJECT RETAIL
PROJECT RETAIL

drawn by: ZD-EN

date	20-10-08	job#	70494
revisions		sheet	11.08