





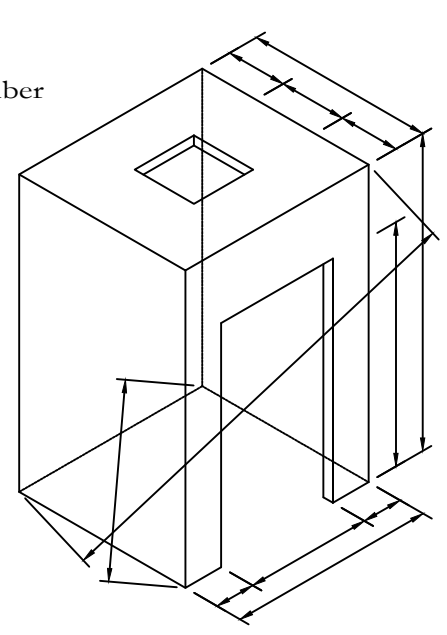






**LEGEND**

- Item number
- Drawing number
- Room or space number
- DR number
- Elevation number
- Drawing number
- Section number
- Drawing number
- Detail number
- Drawing number
- APART Loose in field
- GLUED Glued in shop



**NOTES**

**WOOD SPECIES**

WV-1	MAPLE - FLAT CUT / DOGGE VENEERS LOG #77328/12
WD-1A	PRODUCT NAME
WD-3	
WD-4	
WD-5	

**PLASTIC LAMINATE**

PL-1	FORMICA - NAVY BLUE MATTE #869-58
PL-2	FORMICA - FOLKSTONE MATTE #827-58
PL-3	
PL-4	
WV-M	

**OTHER MATERIALS**

SS-1	CAMBRIA - TORQUAY 3CM
SS-2	CORIAN - SILVER BRCH 12mm ( 1/2" )
M-1	MELAMINE - WHITE
MFL01	
M-5	

**FINISHES**

FRM01	
-------	--

**HARDWARE**

H-1	HINZE - SAUCE CONCEALED 120°
H-2	DRAWER SLIDES - KV HEAVY DUTY - 8500 SERIES
H-3	SHELF PINS - HAFELE 5mm - METAL / CHROME
H-4	PANEL HOOKS - KERU CLIPS
H-5	
H-6	
H-7	
H-8	

**EXCLUSIONS**

E-1	
E-2	
E-3	
E-4	
E-5	
E-6	
E-7	

**MISCELLANEOUS NOTES**


**DISTRIBUTION OF COPIES**

NO.	DATE	DESCRIPTION

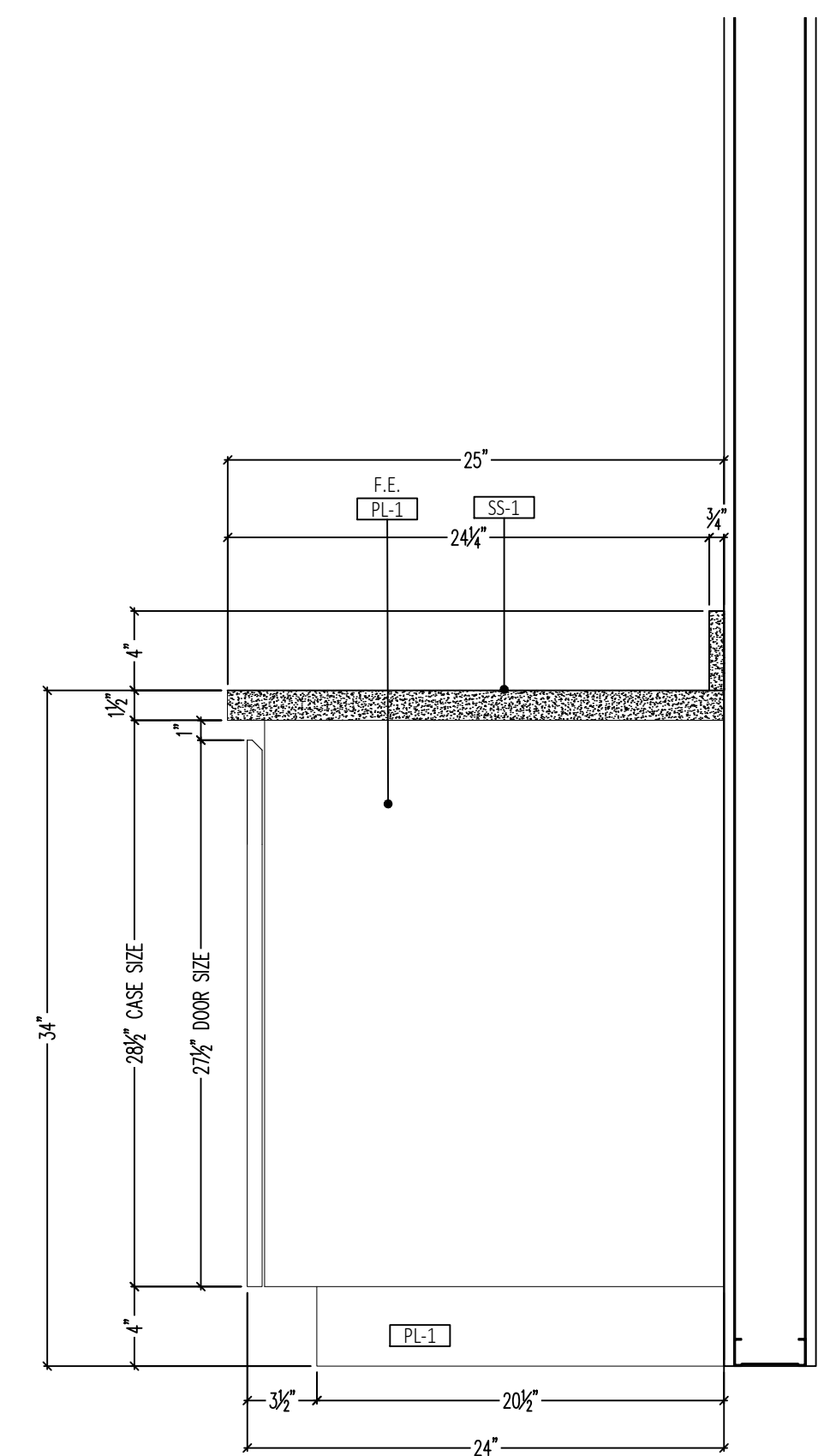
**A2DRAFT.COM**  
**1-855-999-0062**

PROJECT BANK OF - - -  
 NEW YORK, NEW YORK  
 LOCATION - - -

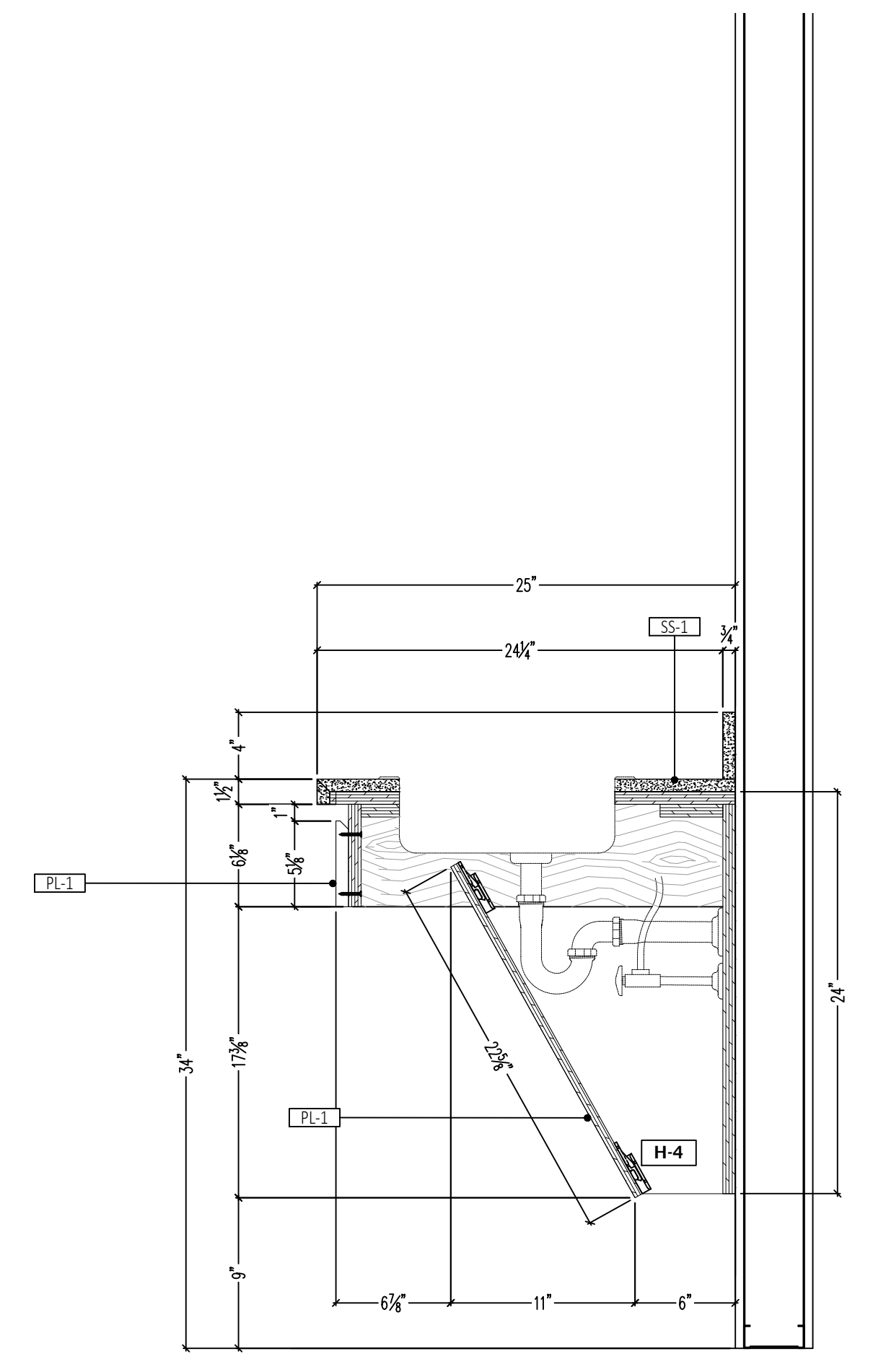
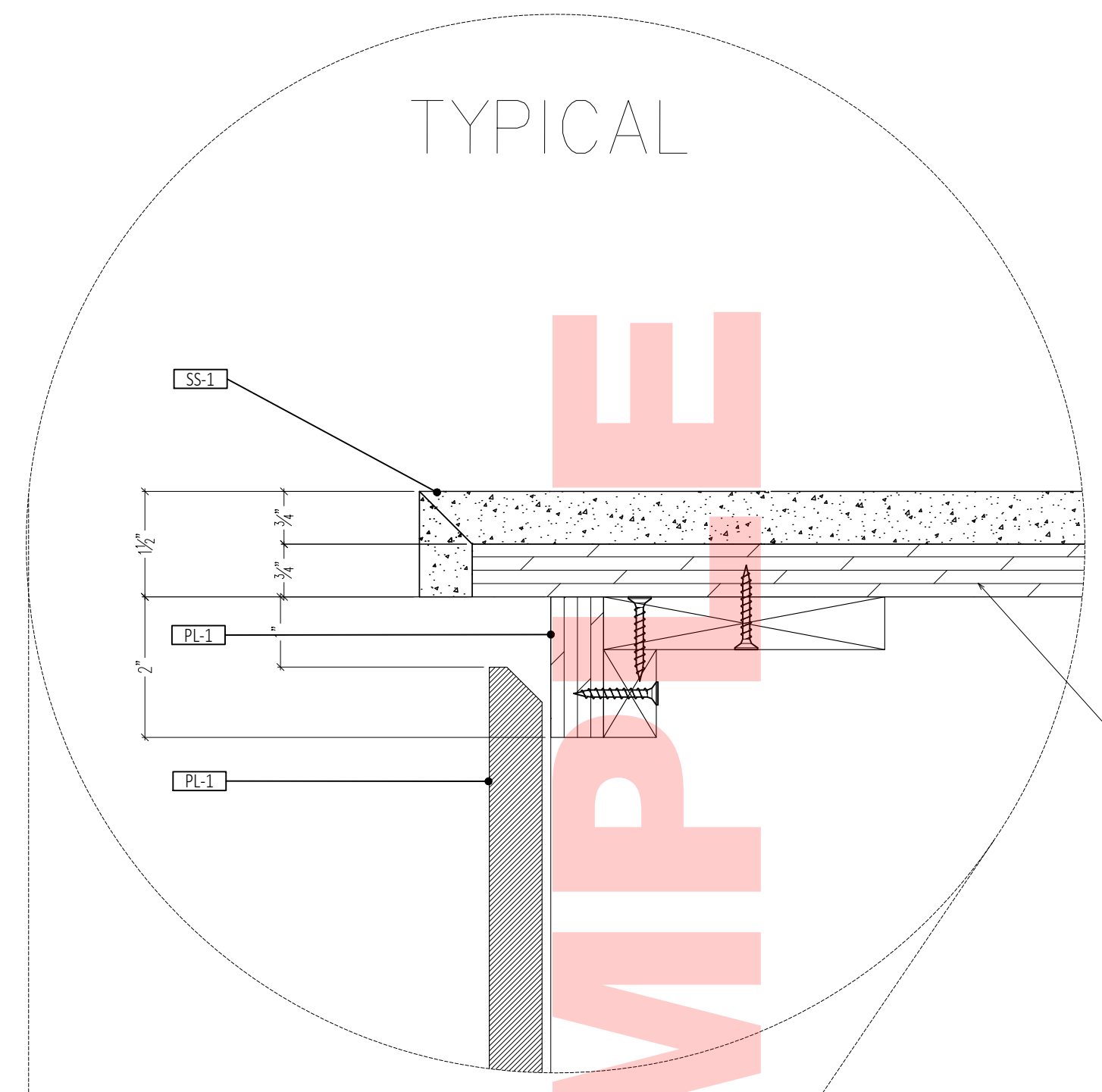
ARCHITECT LISTER AND SONS  
 ARCHITECT AND PLANNING  
 CONTRACTOR

TITLE COFFEE HUB 209  
 2nd Floor

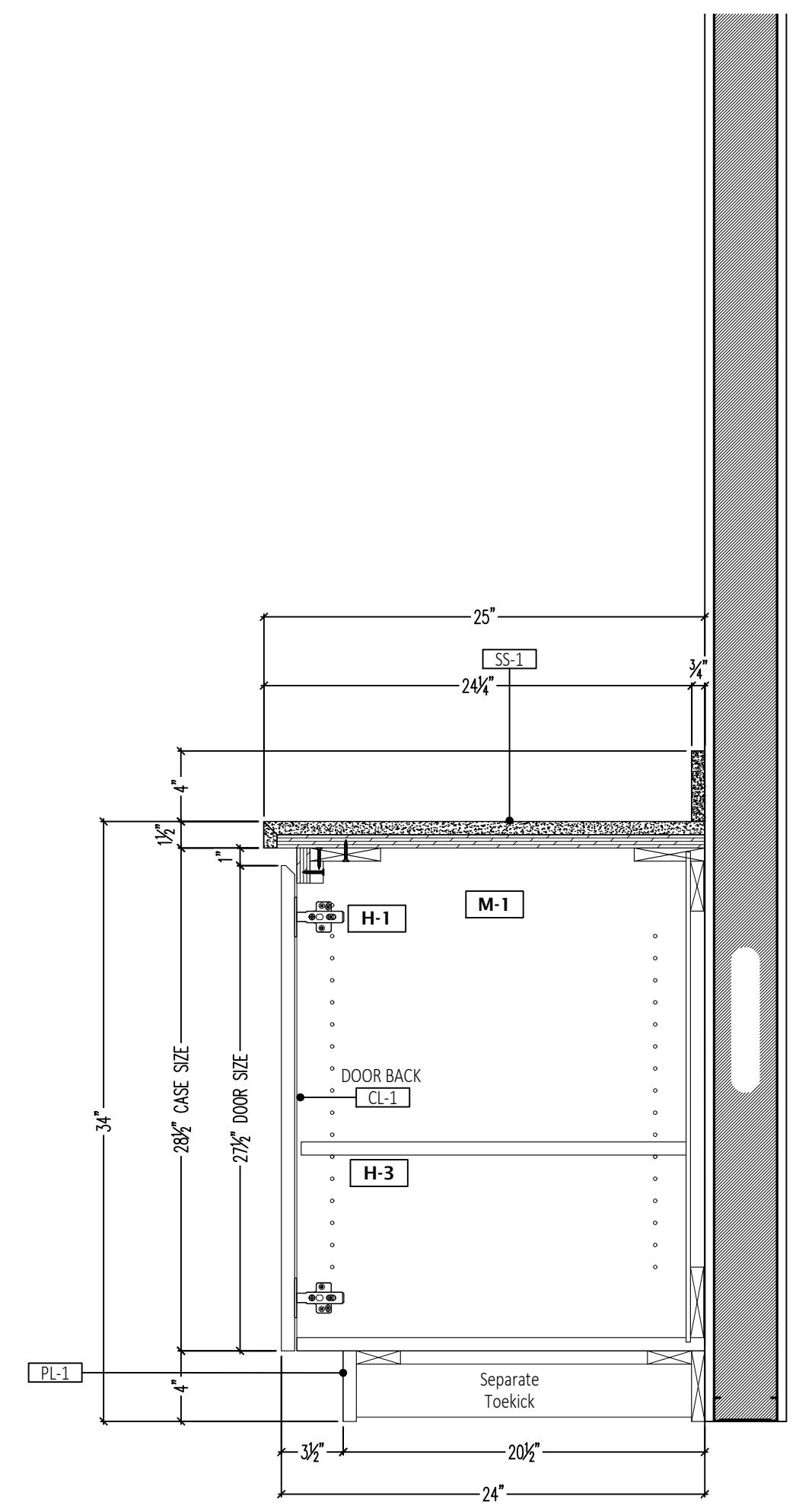
By ZDRAFT-EN	Scale As Shown	Job No. 70976	Dwg. No. 02.2
Ref. dwg. WV	Date 10-04-2020		



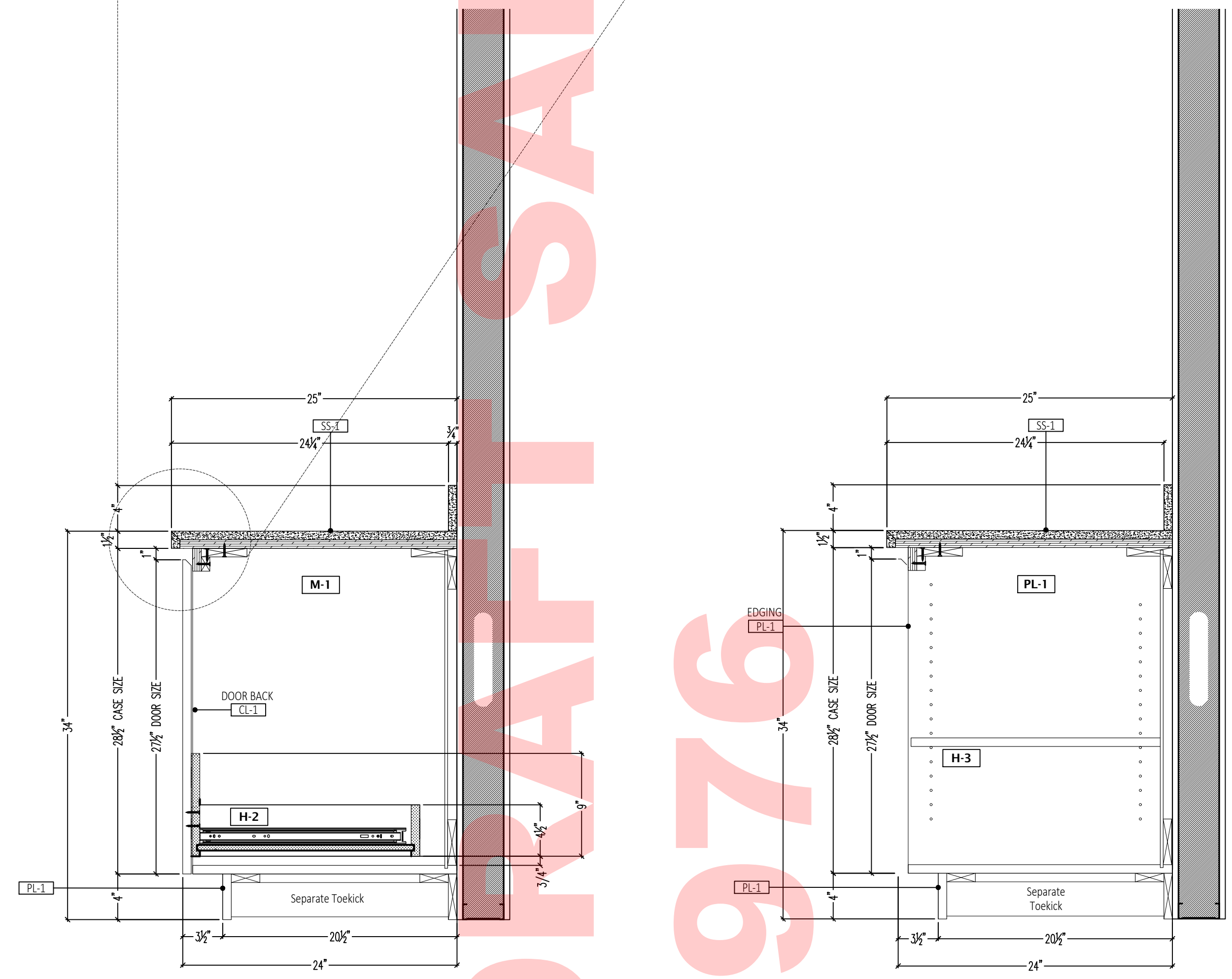
**01 ELEVATION - PROFILE**  
 SCALE: 1-1/2" = 1'-0"



**02 SECTION**  
 SCALE: 1-1/2" = 1'-0"



**03 SECTION**  
 SCALE: 1-1/2" = 1'-0"



**04 SECTION**  
 SCALE: 1-1/2" = 1'-0"

**05 SECTION**  
 SCALE: 1-1/2" = 1'-0"

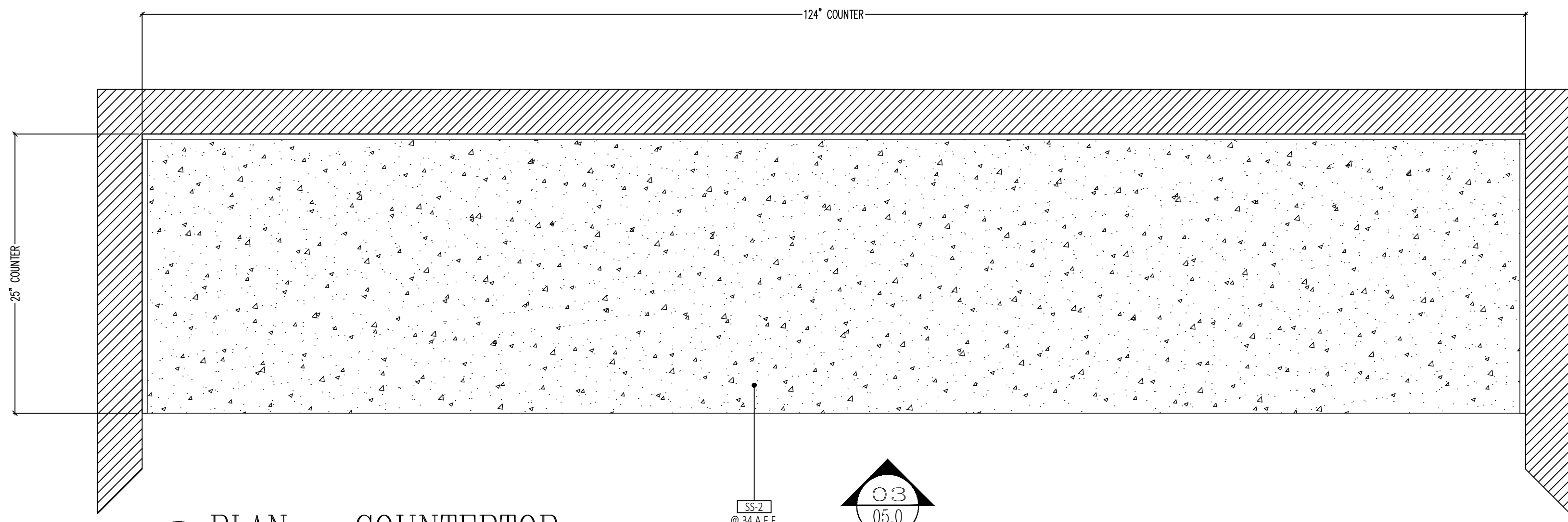
ZDRAFT SAMPLE 70976



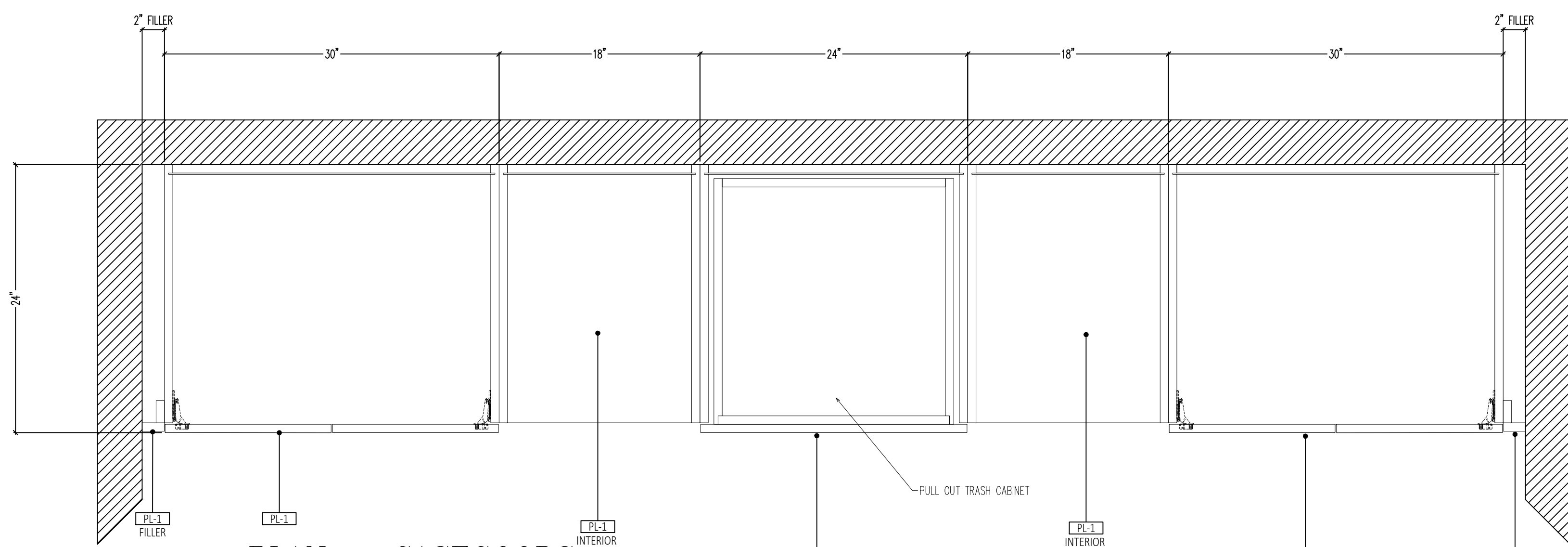




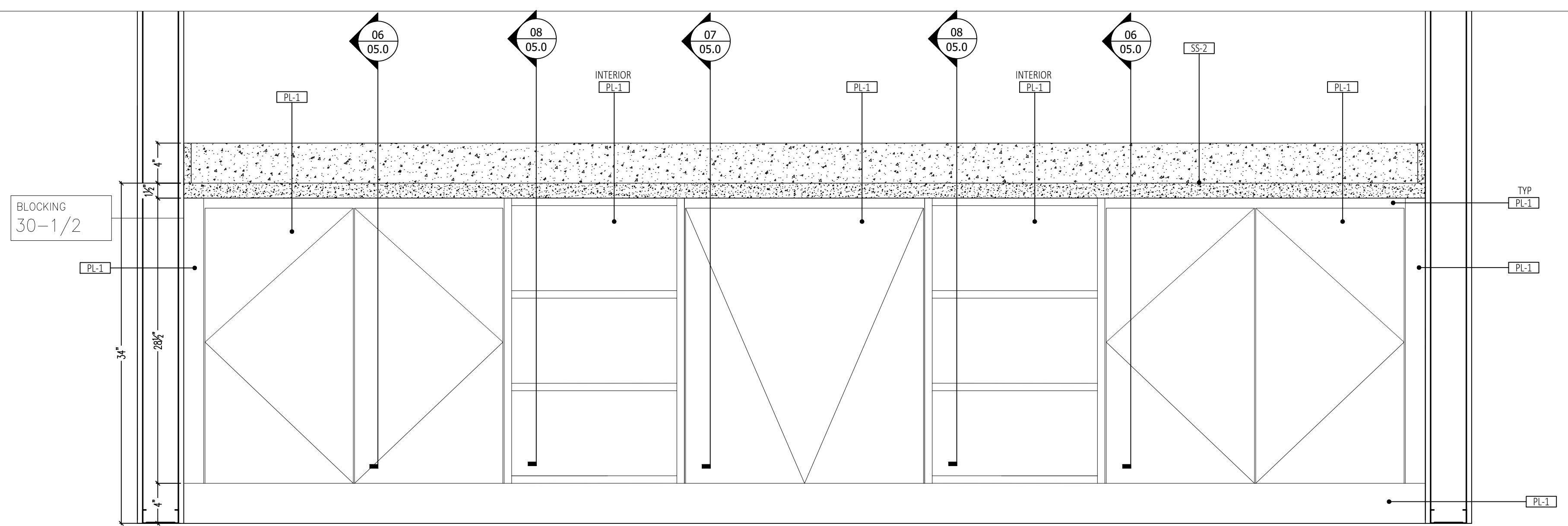




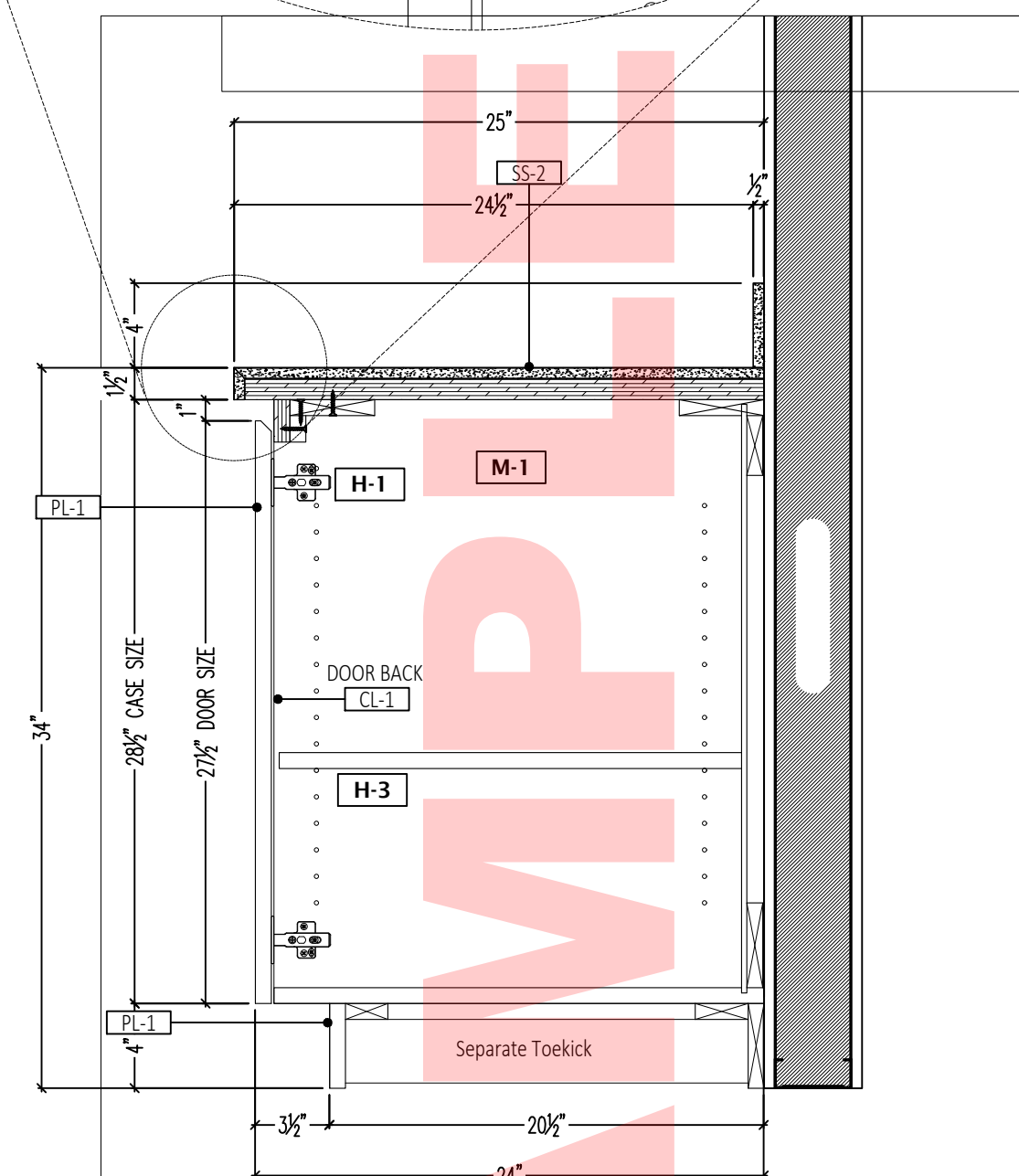
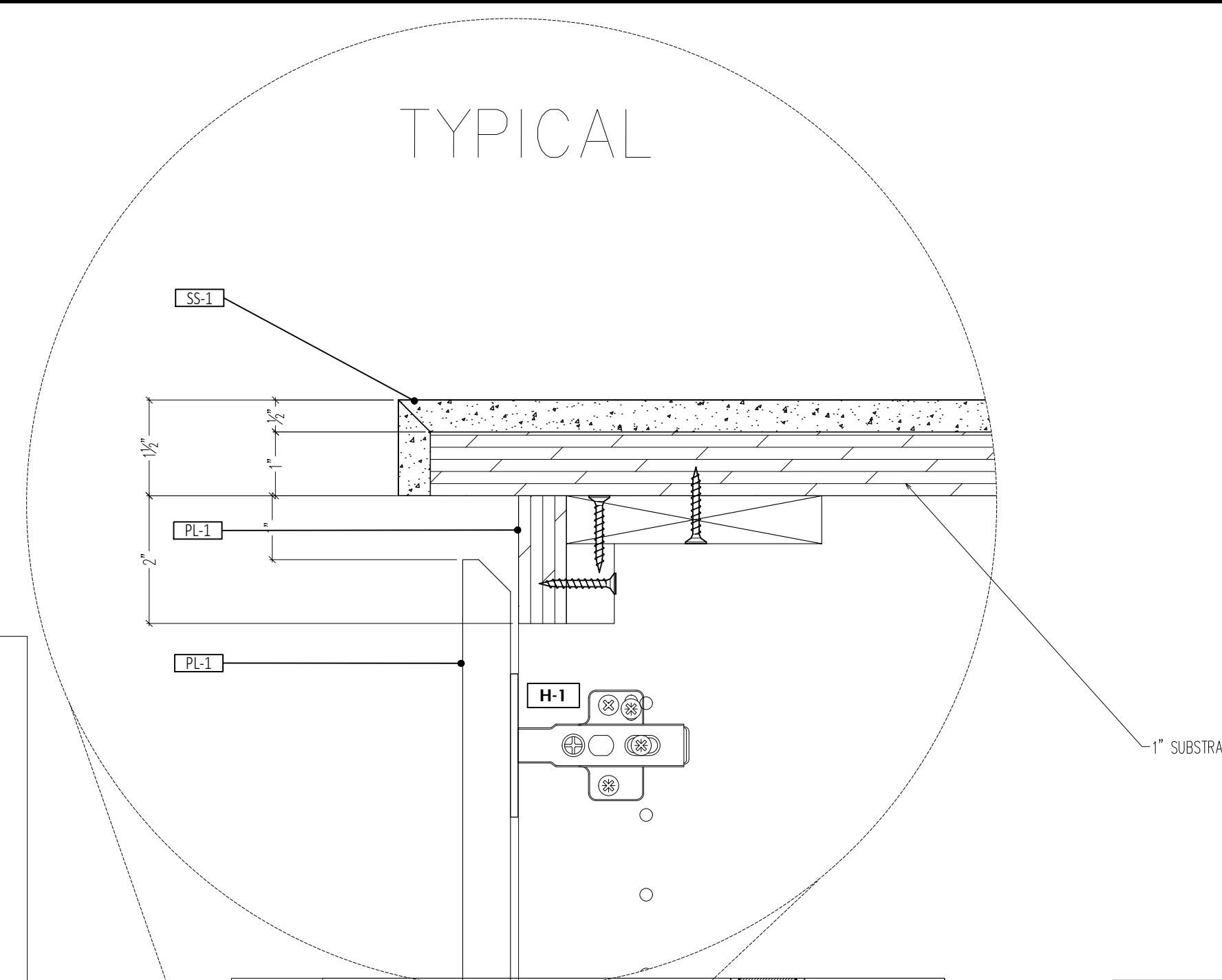
**01 PLAN - COUNTERTOP**  
SCALE: 1-1/2" = 1'-0"



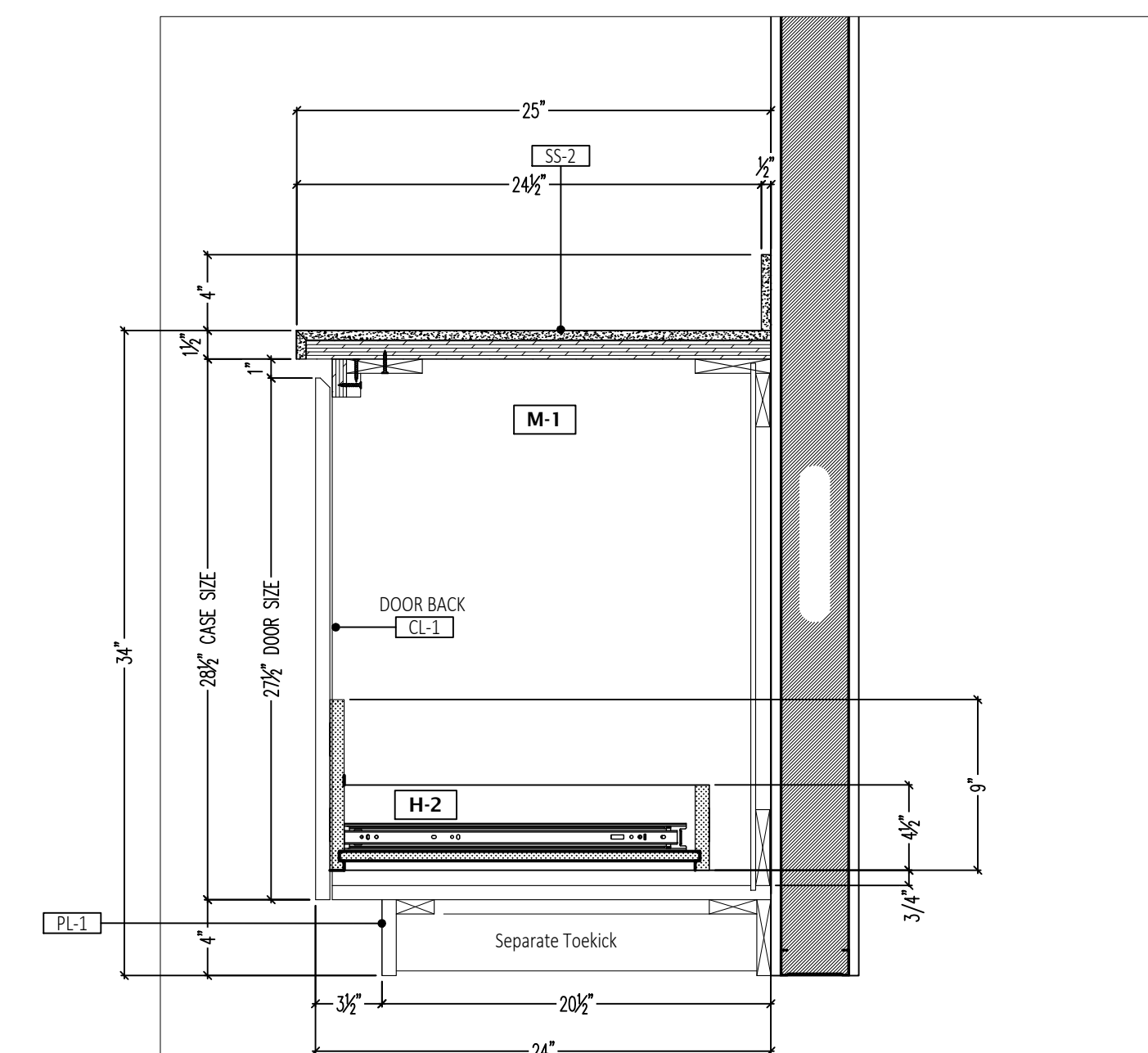
**02 PLAN - CASEGOODS**  
SCALE: 1-1/2" = 1'-0"



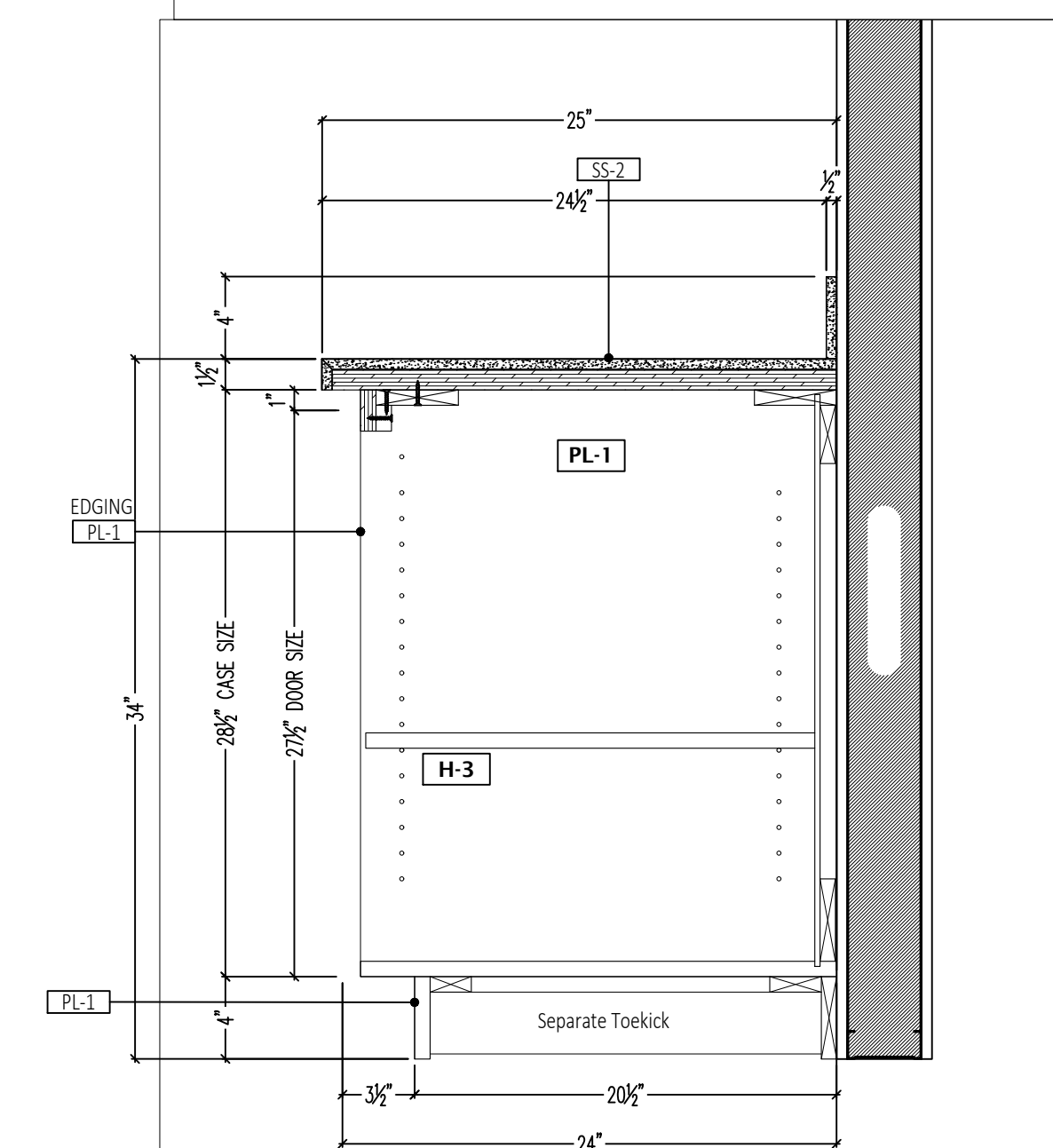
**03 ELEVATION**  
SCALE: 1-1/2" = 1'-0"



**06 SECTION**  
SCALE: 1-1/2" = 1'-0"



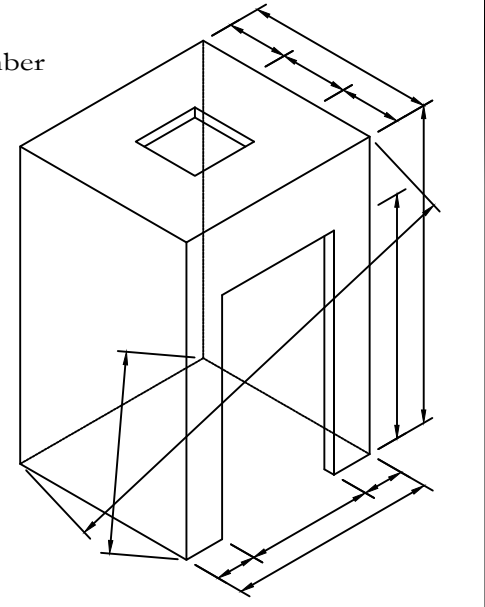
**07 SECTION**  
SCALE: 1-1/2" = 1'-0"



**08 SECTION**  
SCALE: 1-1/2" = 1'-0"

**LEGEND**

- Item number
- Drawing number
- Room or space number
- DR number
- Elevation number
- Section number
- Detail number
- Loose in field
- Glued in shop



**NOTES**

**WOOD SPECIES**

WW-1	MAPLE - FLAT CUT / DOUGE VENEERS LOG #73308/12
WD-1A	PRODUCT NAME
WD-3	
WD-4	

**PLASTIC LAMINATE**

PL-1	FORMICA - NAVY BLUE MATTE #869-58
PL-2	FORMICA - FOLKSTONE MATTE #827-58
PL-3	
PL-4	
W/M	

**OTHER MATERIALS**

SS-1	CAMBRIA - TORQUAY 3CM
SS-2	CORIAN - SILVER BIRCH 12mm (1/2")
M-1	MELAMINE - WHITE
M-5	

**FINISHES**

FRM-1	
-------	--

**HARDWARE**

H-1	HINZE - SAUCE CONCEALED 120°
H-2	DRAWER SLIDES - KV HEAVY DUTY - 8500 SERIES
H-3	SHELF PINS - HAFELE 5mm - METAL / CHROME
H-4	PANEL HOOKS - KERU CLIPS
H-5	
H-6	
H-7	
H-8	

**EXCLUSIONS**

E-1	
E-2	
E-3	
E-4	
E-5	
E-6	
E-7	

**MISCELLANEOUS NOTES**


**DISTRIBUTION OF COPIES**


NO.	DATE	DESCRIPTION

**A2ZDRAFT.COM**  
**1-855-999-0062**

PROJECT BANK OF ---  
NEW YORK, NEW YORK  
LOCATION ---

ARCHITECT LISTER AND SONS  
ARCHITECT AND PLANNING

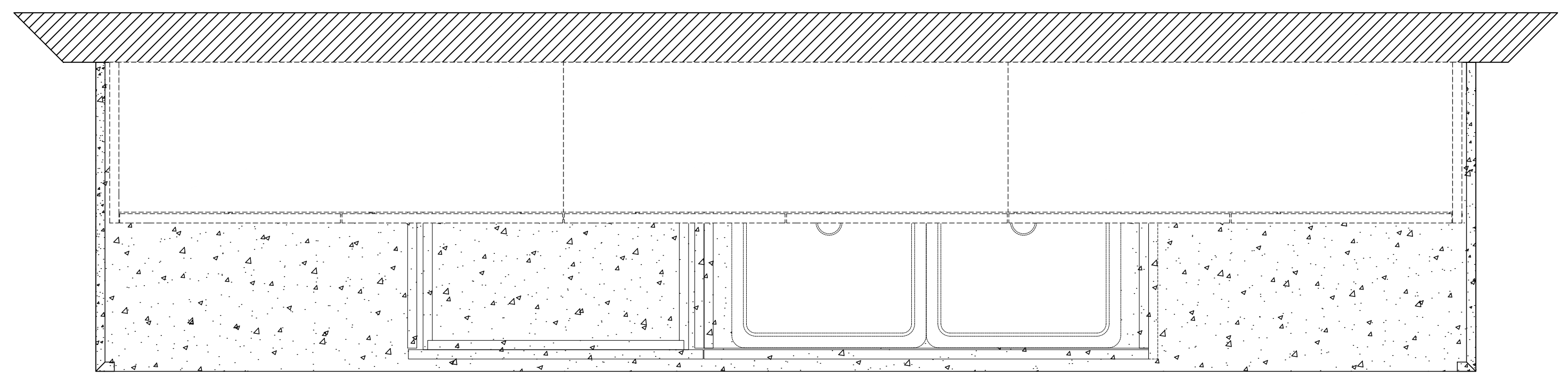
CONTRACTOR

TITLE PRINT 215  
2nd Floor

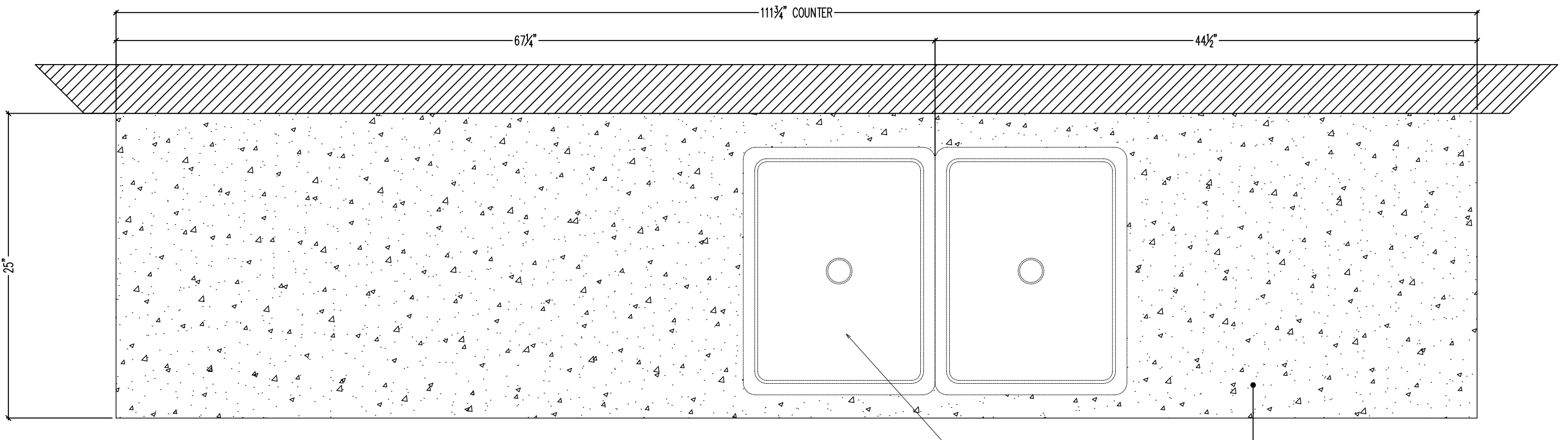
By ZDRAFT-EN	Scale As Shown	Job No. 70976	Dwg. No. 05.0
Ref.dwg. WW	Date 10-04-2020		

ZDRAFT 70976

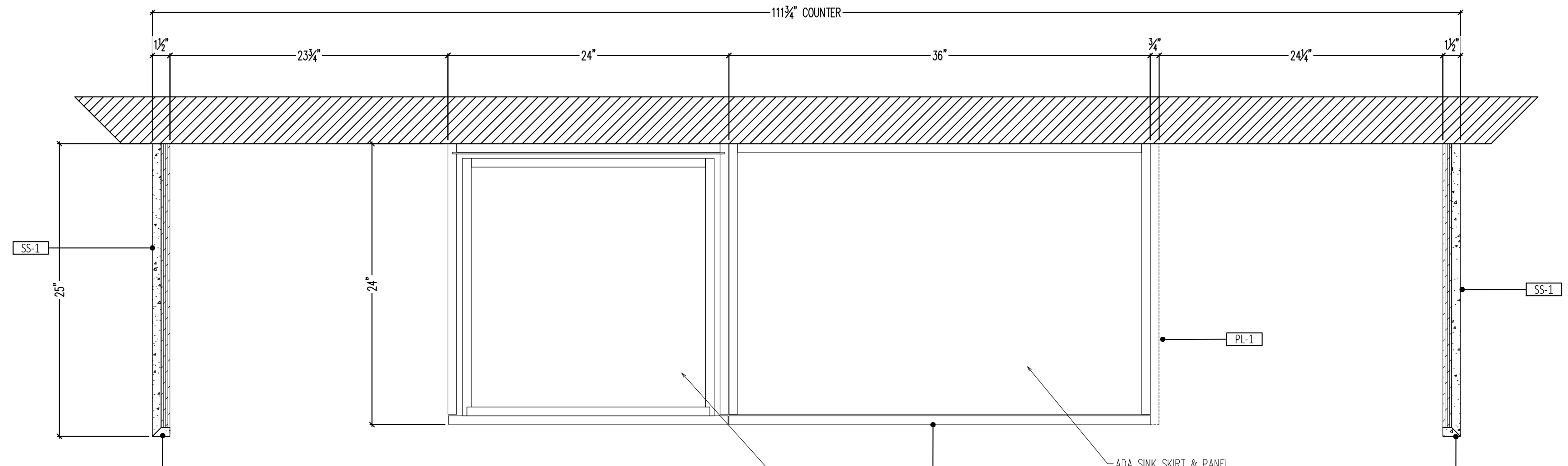




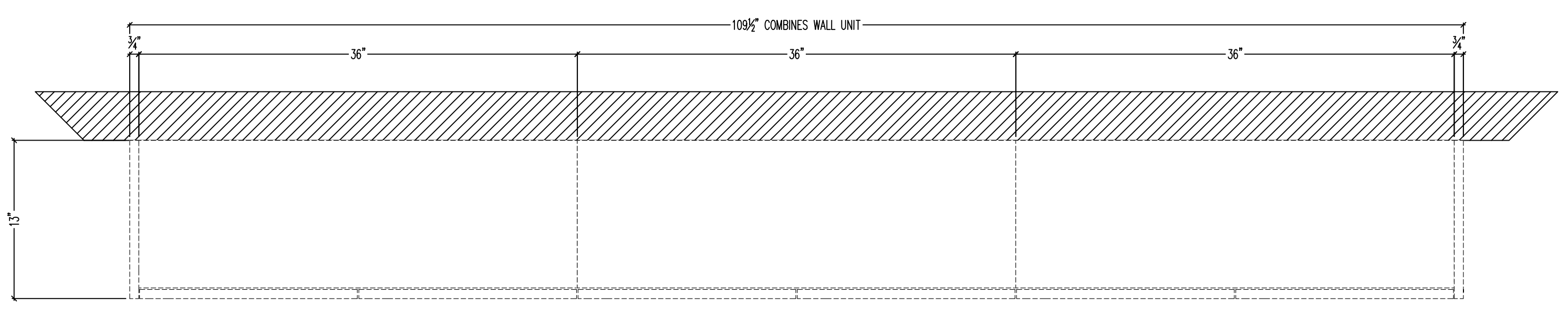
01 PLAN - OVER ALL  
SCALE: 1-1/2" = 1'-0"



02 PLAN - COUNTERTOP  
SCALE: 1-1/2" = 1'-0"

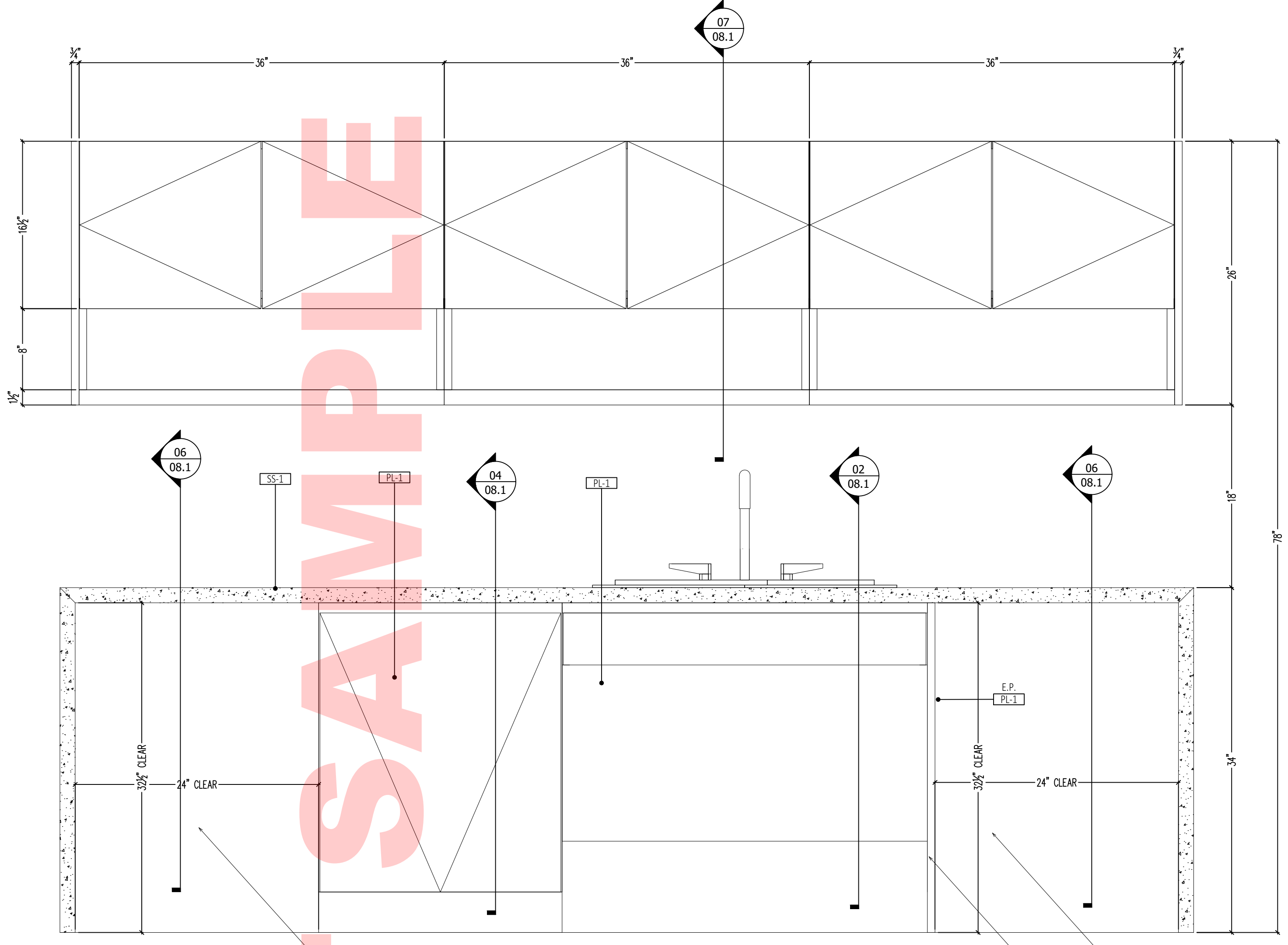


03 PLAN - CASEGOODS - BASE UNITS  
SCALE: 1-1/2" = 1'-0"



04 PLAN - CASEGOODS - WALL UNITS  
SCALE: 1-1/2" = 1'-0"

10  
02.2



05 ELEVATION  
SCALE: 1-1/2" = 1'-0"

ZDRAFT SAMPLE 70976

LEGEND	
	Item number
	Drawing number
	Room or space number
	DR number
	Elevation number
	Section number
	Drawing number
	Detail number
	Drawing number
	Loose in field
	Glued in shop

**NOTES**

WOOD SPECIES	
WV-1	MAPLE - FLAT CUT / DOGEE VENEERS LOG #77328/12
WD-1A	PRODUCT NAME
WD-3	
WD-4	

PLASTIC LAMINATE	
PL-1	FORMICA - NAVY BLUE MATTE #89-58
PL-2	FORMICA - FOLKSTONE MATTE #87-58
PL-3	
PL-4	
WV-1	

OTHER MATERIALS	
SS-1	CAMBRIA - TORQUAY 3CM
SS-2	CORIAN - SILVER BRCH 12mm ( 1/2" )
M-1	MELAMINE - WHITE
MFL01	
M-5	

FINISHES	
FRM01	

HARDWARE	
H-1	HINZE - SAUCE CONCEALED 120"
H-2	DRAWER SLIDES - KV HEAVY DUTY - 8500 SERIES
H-3	SHELF PINS - HAFELE 5mm - METAL / CHROME
H-4	PANEL HOOKS - KERU CLIPS
H-5	
H-6	
H-7	
H-8	

EXCLUSIONS	
E-1	
E-2	
E-3	
E-4	
E-5	
E-6	
E-7	

MISCELLANEOUS NOTES	

DISTRIBUTION OF COPIES		
NO.	DATE	DESCRIPTION

**A2ZDRAFT.COM**  
1-855-999-0062

PROJECT: BANK OF ---  
LOCATION: NEW YORK, NEW YORK

ARCHITECT: LISTER AND SONS  
ARCHITECT AND PLANNING

CONTRACTOR: ---

TITLE: LOBBY 202  
2nd Floor

By: ZDRAFT-EN	Scale: As Shown	Job No.: 70976	Dwg. No.: 08.0
Ref. dwg. WW	Date: 10-04-2020		

