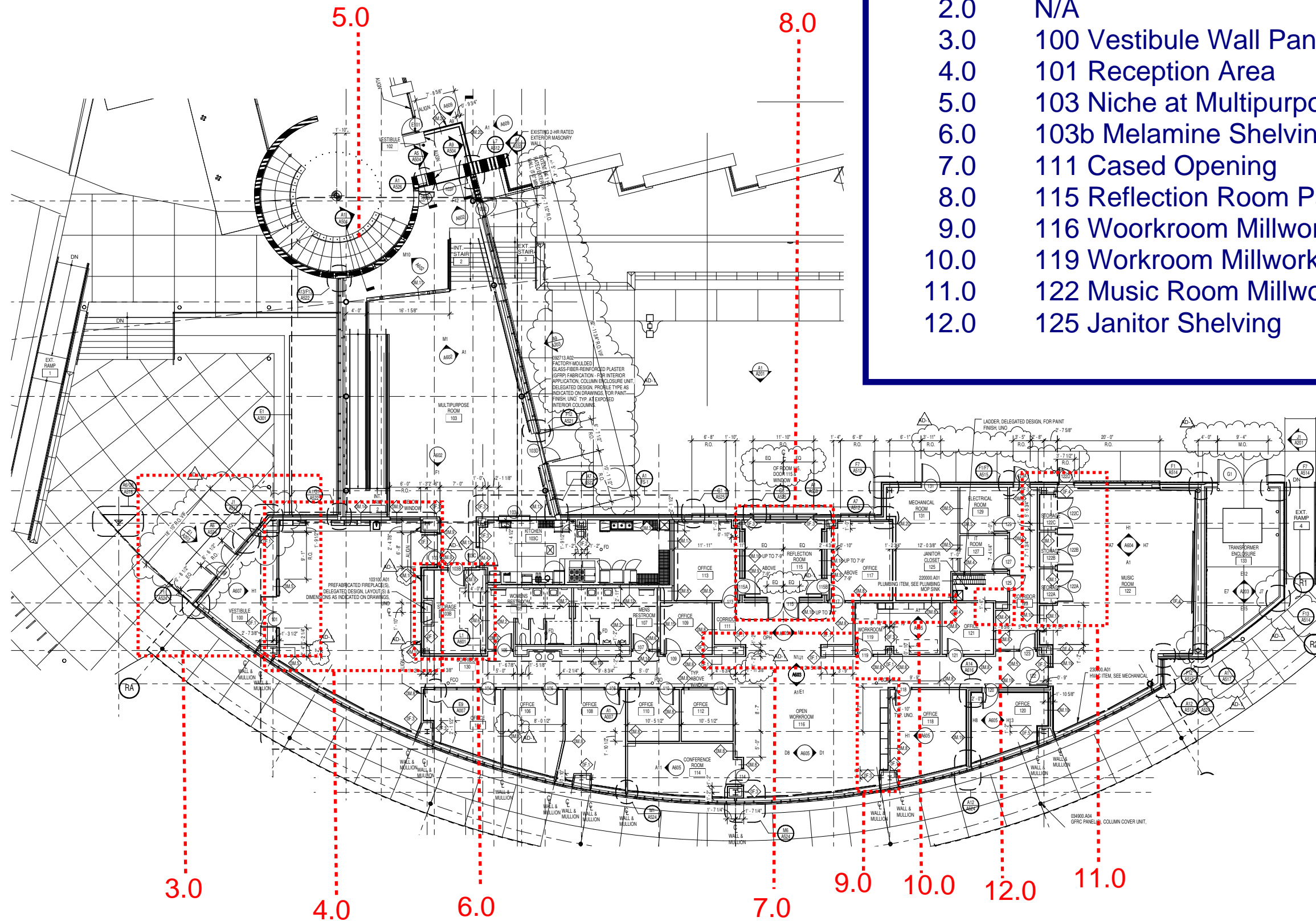


US MINISTRIES BUILDING

15600 SHAPEL DRIVE

Drw #	Area - Room
1.0	Corian Sills - Typical
2.0	N/A
3.0	100 Vestibule Wall Paneling
4.0	101 Reception Area
5.0	103 Niche at Multipurpose RM
6.0	103b Melamine Shelving
7.0	111 Cased Opening
8.0	115 Reflection Room Panels
9.0	116 Workroom Millwork
10.0	119 Workroom Millwork
11.0	122 Music Room Millwork
12.0	125 Janitor Shelving



ISSUE:
 14-01-30 FOR REVIEW
 14-02-14 FOR CONSTRUCTION

DRAWN BY : ZD KN

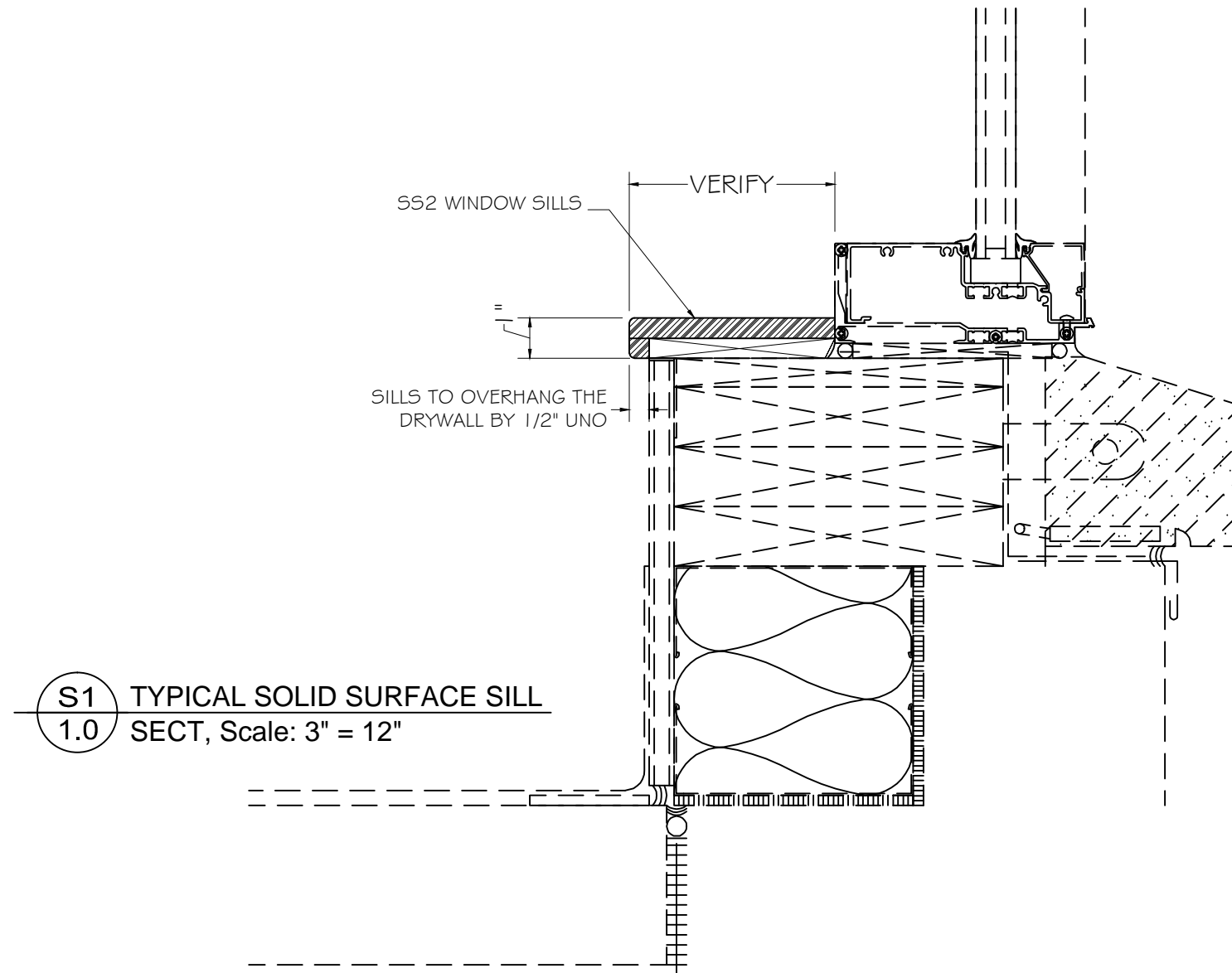
SCALE: DO NOT SCALE

DRAWING NAME :
 KEY PLAN

DRAWING #

0.0
PLAN

00-11172-150225.dwg



S1 TYPICAL SOLID SURFACE SILL
1.0 SECT, Scale: 3" = 12"

GENERAL NOTE: ALL DIMENSIONS WILL BE FIELD VERIFIED PRIOR TO FABRICATION.

ISSUE:
 14-01-30 FOR REVIEW
 14-02-14 FOR CONSTRUCTION

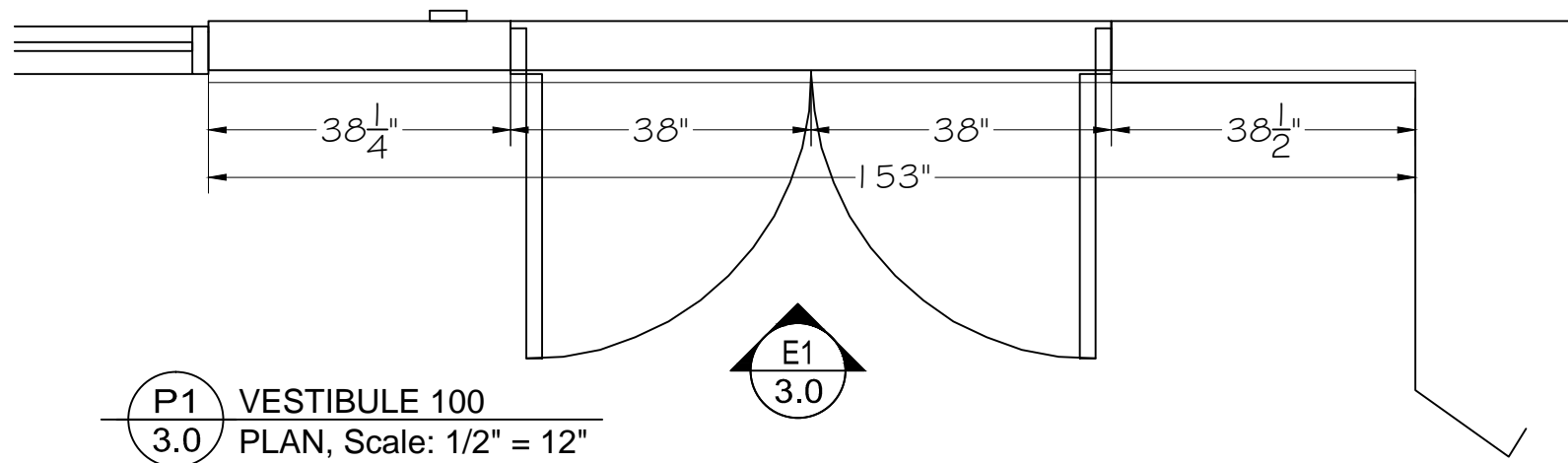
DRAWN BY : ZD TJ

SCALE: 3/4" = 12"

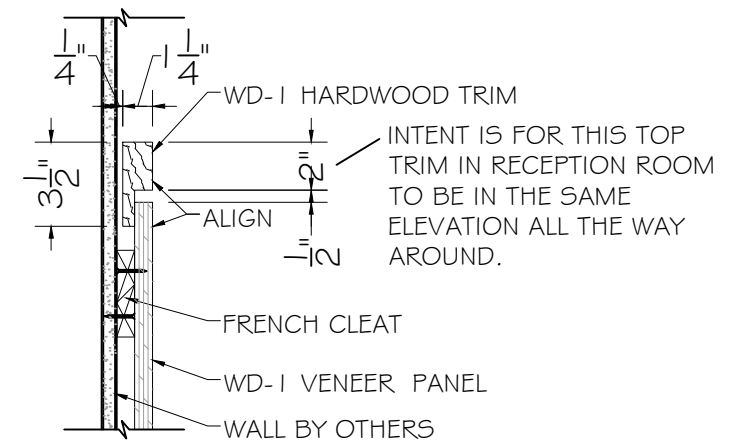
DRAWING NAME :
 TYPICAL SOLID SURFACE SILL

DRAWING #

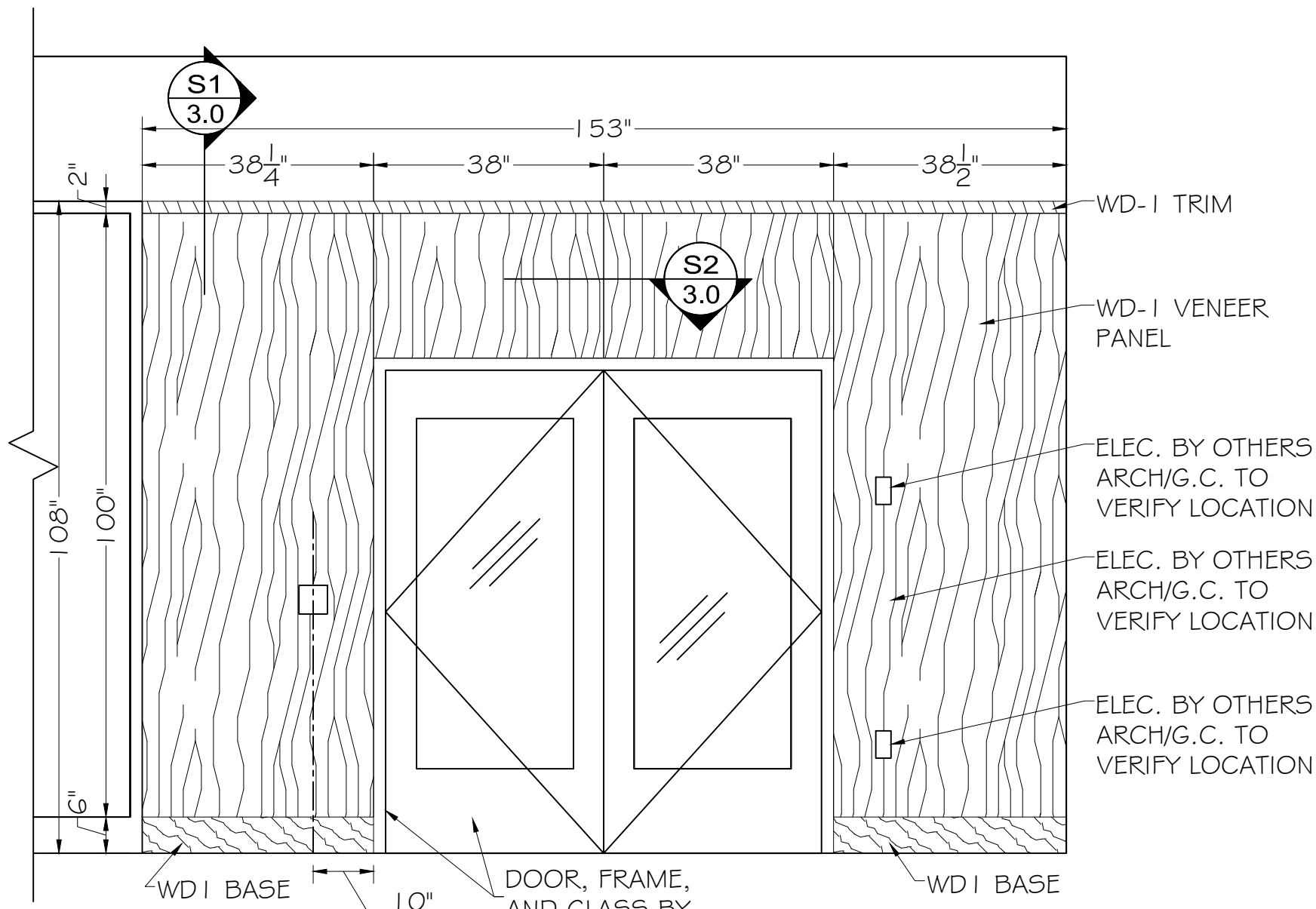
1.0
PLAN



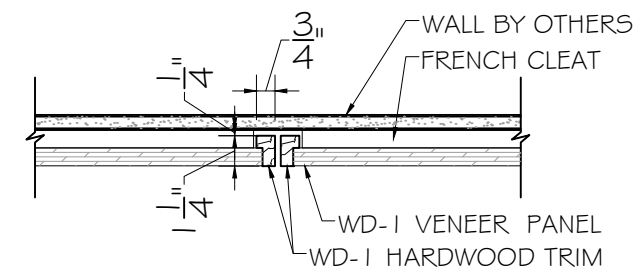
P1 VESTIBULE 100
3.0 PLAN, Scale: 1/2" = 12"



S1 PANEL AT CEILING
3.0 SECT, Scale: 1-1/2" = 12"



E1 VESTIBULE 100
3.0 PLAN, Scale: 1/2" = 12"



S2 PANEL AT CEILING
3.0 SECT, Scale: 1-1/2" = 12"

GENERAL NOTE: ALL DIMENSIONS WILL BE FIELD VERIFIED PRIOR TO FABRICATION.

ISSUE:
 14-01-30 FOR REVIEW
 14-02-14 FOR CONSTRUCTION

DRAWN BY : ZD TJ

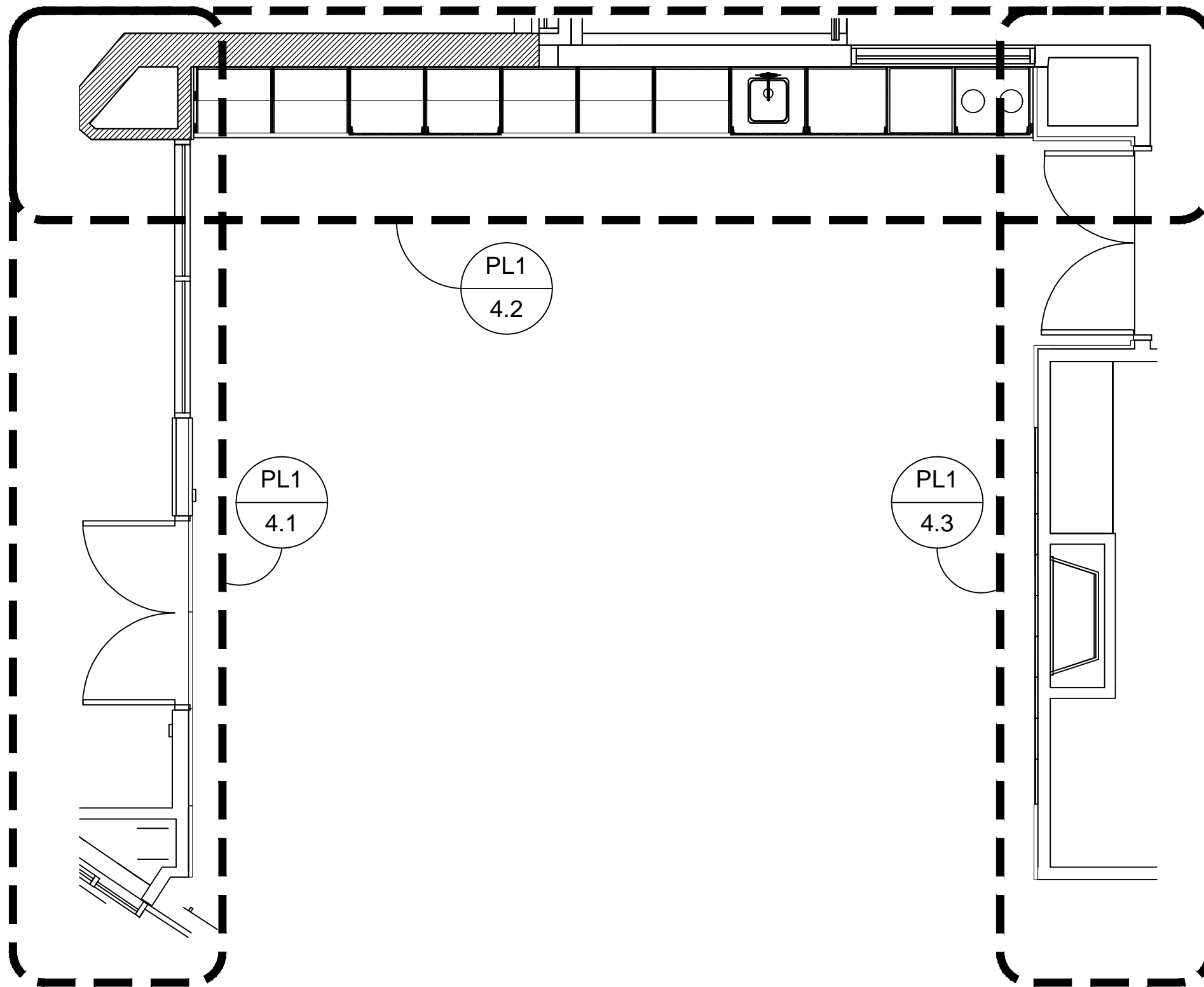
SCALE: 3/4" = 12"

DRAWING NAME :
 VESTIBULE 100

DRAWING #

3.0
PLAN

03-11172-150220.dwg



GENERAL NOTE: ALL DIMENSIONS WILL BE FIELD VERIFIED PRIOR TO FABRICATION.

ISSUE:
 14-01-30 FOR REVIEW
 14-02-14 FOR CONSTRUCTION

DRAWN BY : ZD TJ

SCALE: 3/4" = 12"

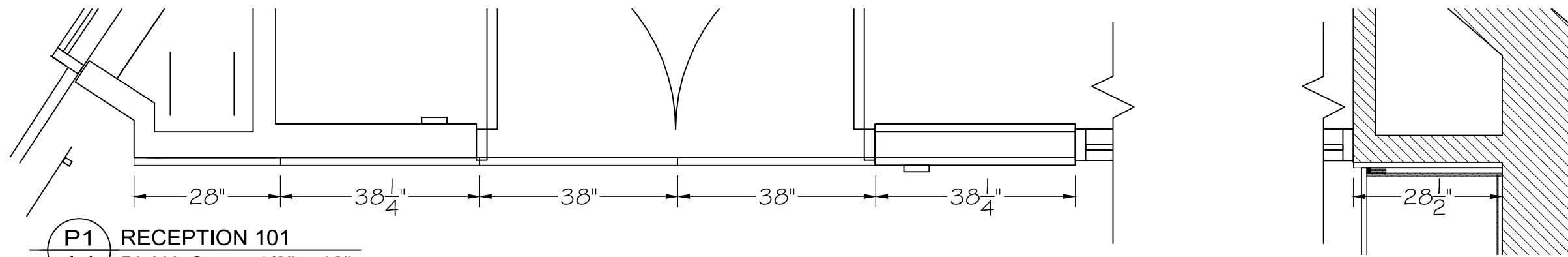
DRAWING NAME :
 RECEPTION 101

DRAWING #

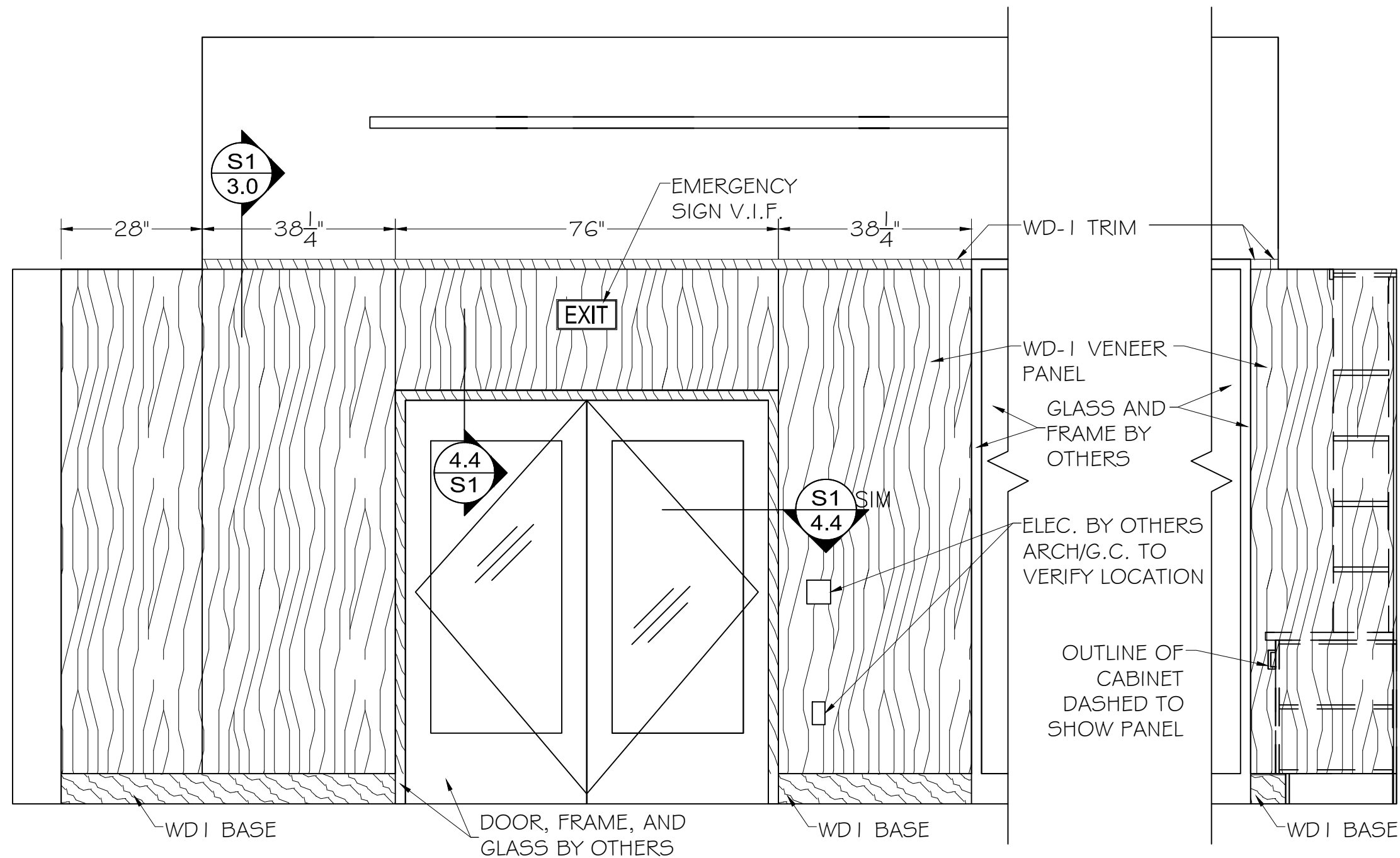
4.0
PLAN

04-11172-150220.dwg

P1 RECEPTION 101
4.0 PLAN, Scale: 1/4" = 12"



P1 RECEPTION 101
4.1 PLAN, Scale: 1/2" = 12"



E1 RECEPTION 101
4.1 ELEV, Scale: 1/2" = 12"

GENERAL NOTE: ALL DIMENSIONS WILL BE FIELD VERIFIED PRIOR TO FABRICATION.

ISSUE:
 14-01-30 FOR REVIEW
 14-02-14 FOR CONSTRUCTION

DRAWN BY : ZD TJ

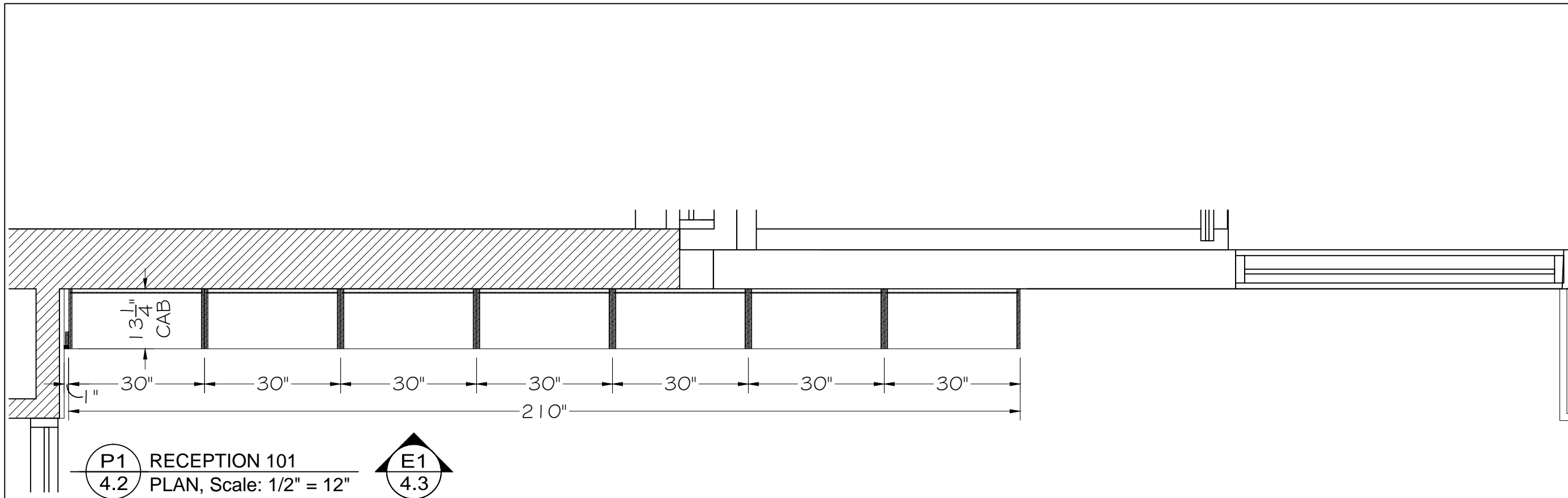
SCALE: 3/4" = 12"

DRAWING NAME :
 RECEPTION 101

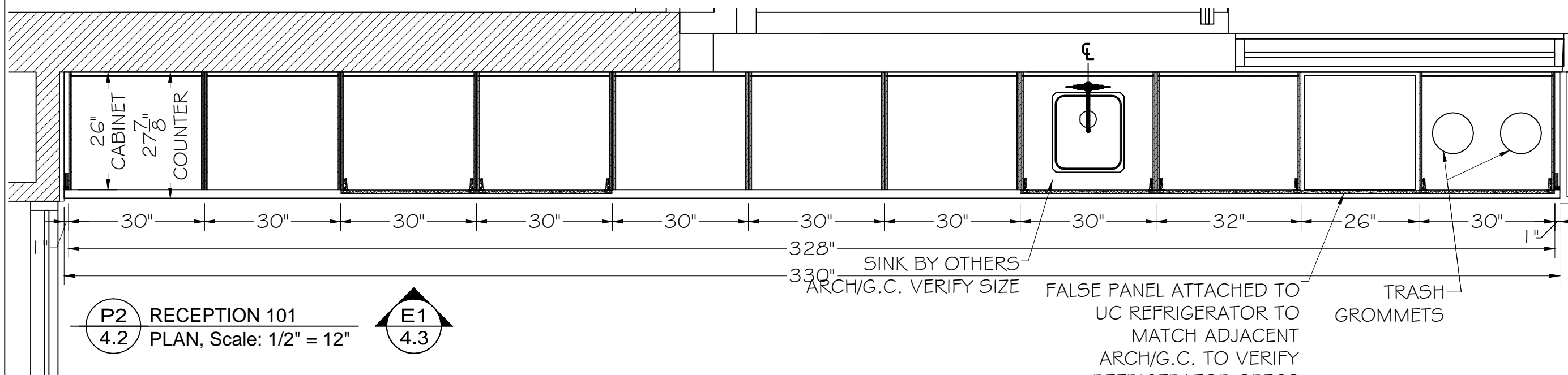
DRAWING #

4.1
PLAN

04-11172-150220.dwg



GENERAL NOTE: ALL DIMENSIONS WILL BE FIELD VERIFIED PRIOR TO FABRICATION.



ISSUE:
14-01-30 FOR REVIEW
14-02-14 FOR CONSTRUCTION

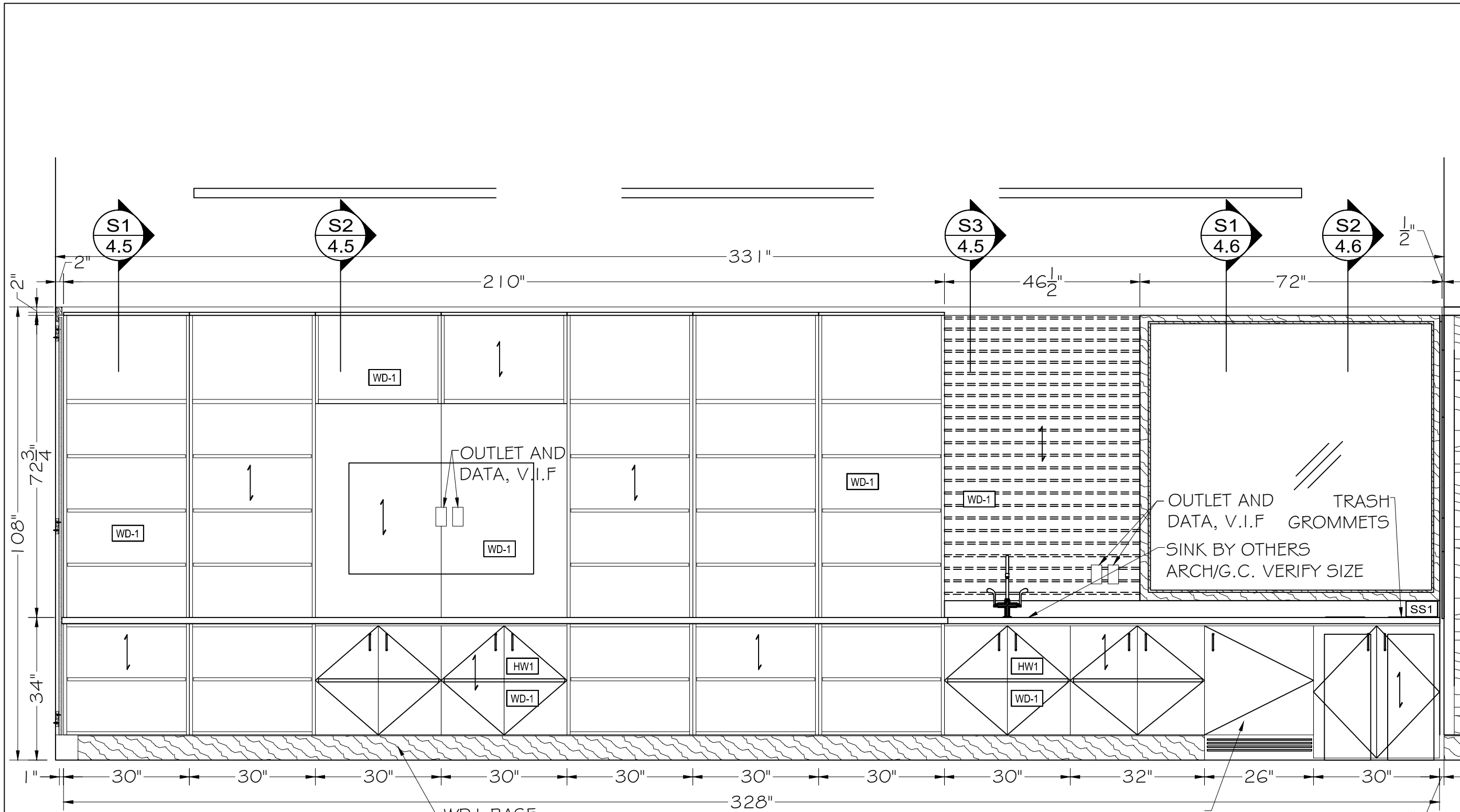
DRAWN BY : ZD TJ

SCALE: 3/4" = 12"

DRAWING NAME :
RECEPTION 101

DRAWING #

4.2
PLAN



GENERAL NOTE: ALL DIMENSIONS WILL BE FIELD VERIFIED PRIOR TO FABRICATION.

ISSUE:
 14-01-30 FOR REVIEW
 14-02-14 FOR CONSTRUCTION

DRAWN BY : ZD TJ

SCALE: 3/4" = 12"

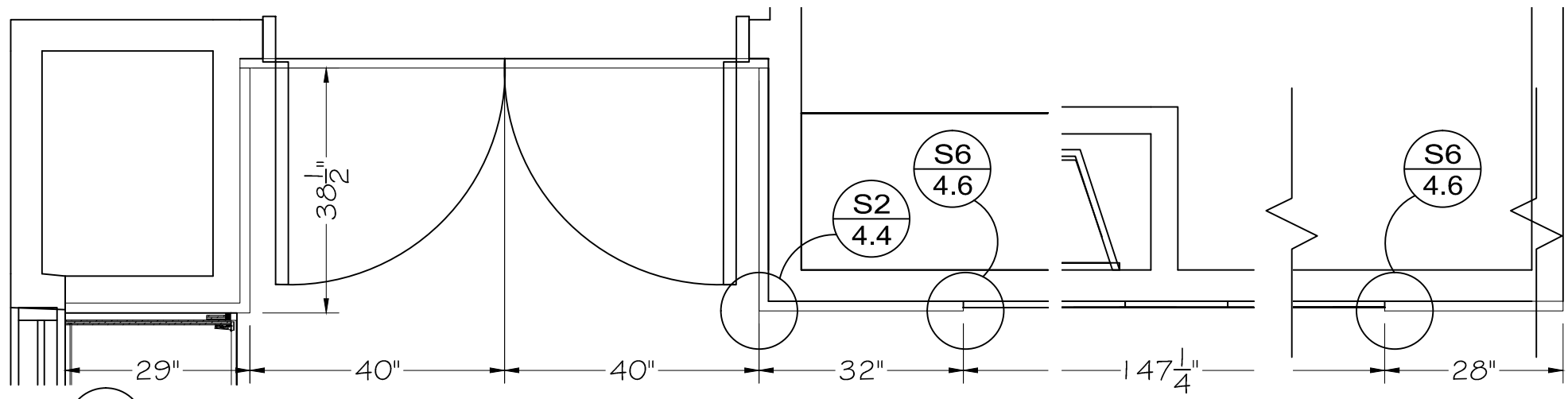
DRAWING NAME :
 RECEPTION 101

DRAWING #

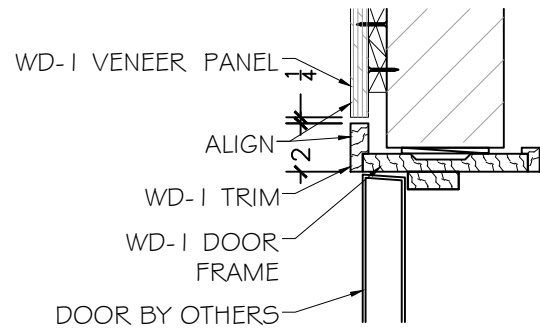
4.3
PLAN

04-11172-150220.dwg

E1 RECEPTION 101
4.3 PLAN, Scale: 1/2" = 12"

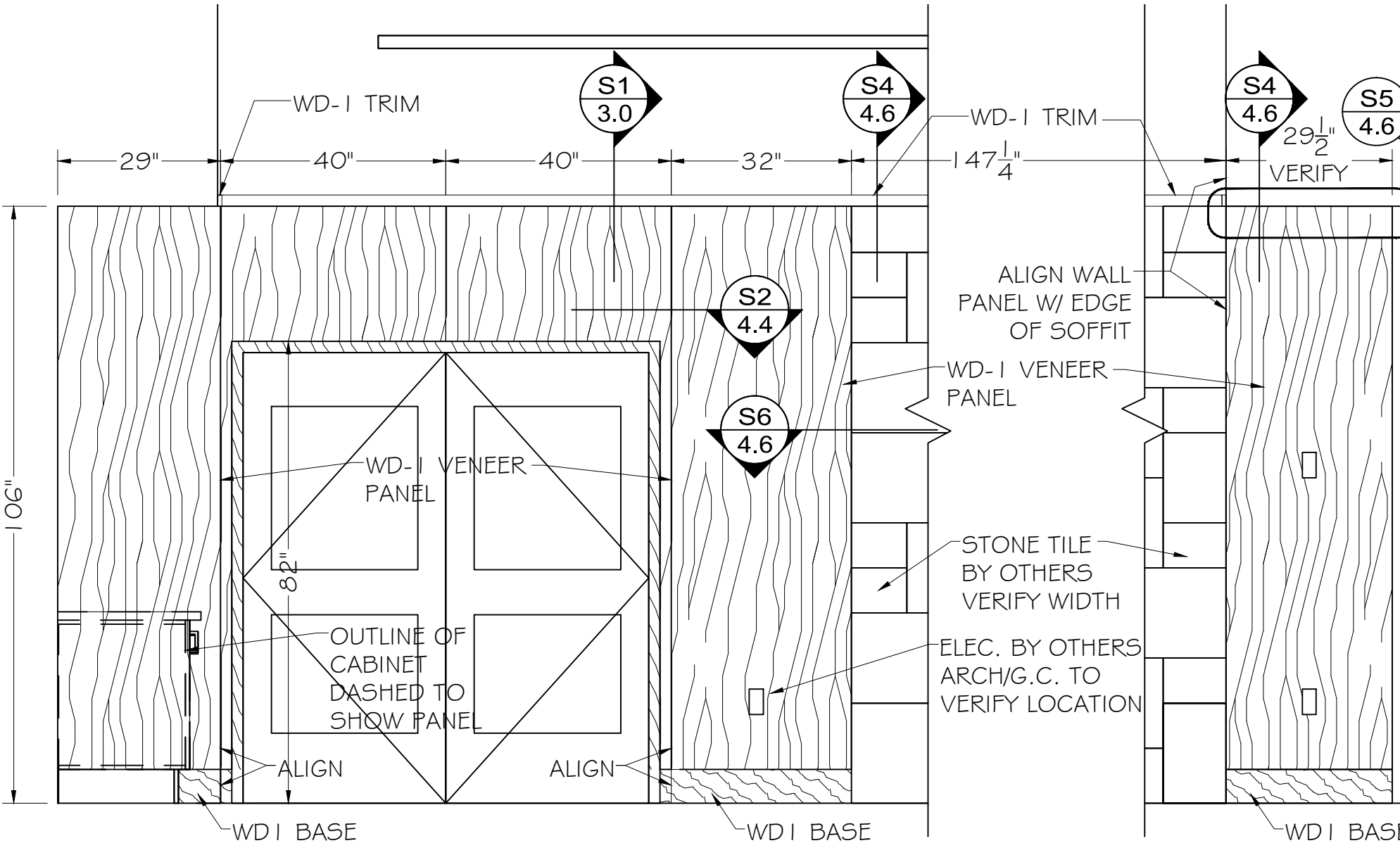


P1 RECEPTION 101
4.4 PLAN, Scale: 1/2" = 12"

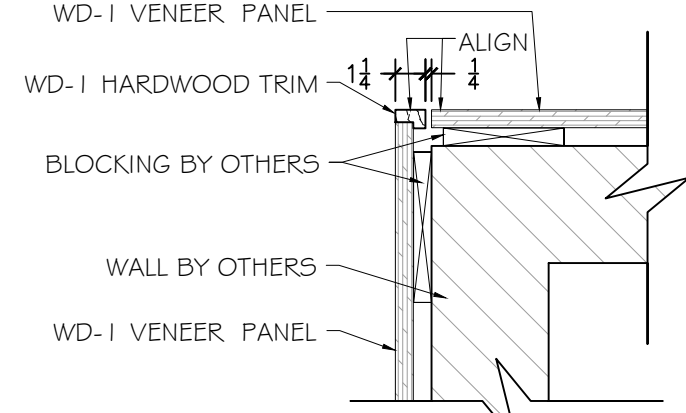


S1 PANEL AT DOOR
4.4 SECT, Scale: 1-1/2" = 12"

GENERAL NOTE: ALL DIMENSIONS WILL BE FIELD VERIFIED PRIOR TO FABRICATION.



E1 RECEPTION 101
4.4 ELEV, Scale: 1/2" = 12"



S2 PANEL AT CORNER
4.4 SECT, Scale: 1-1/2" = 12"

ISSUE:
14-01-30 FOR REVIEW
14-02-14 FOR CONSTRUCTION

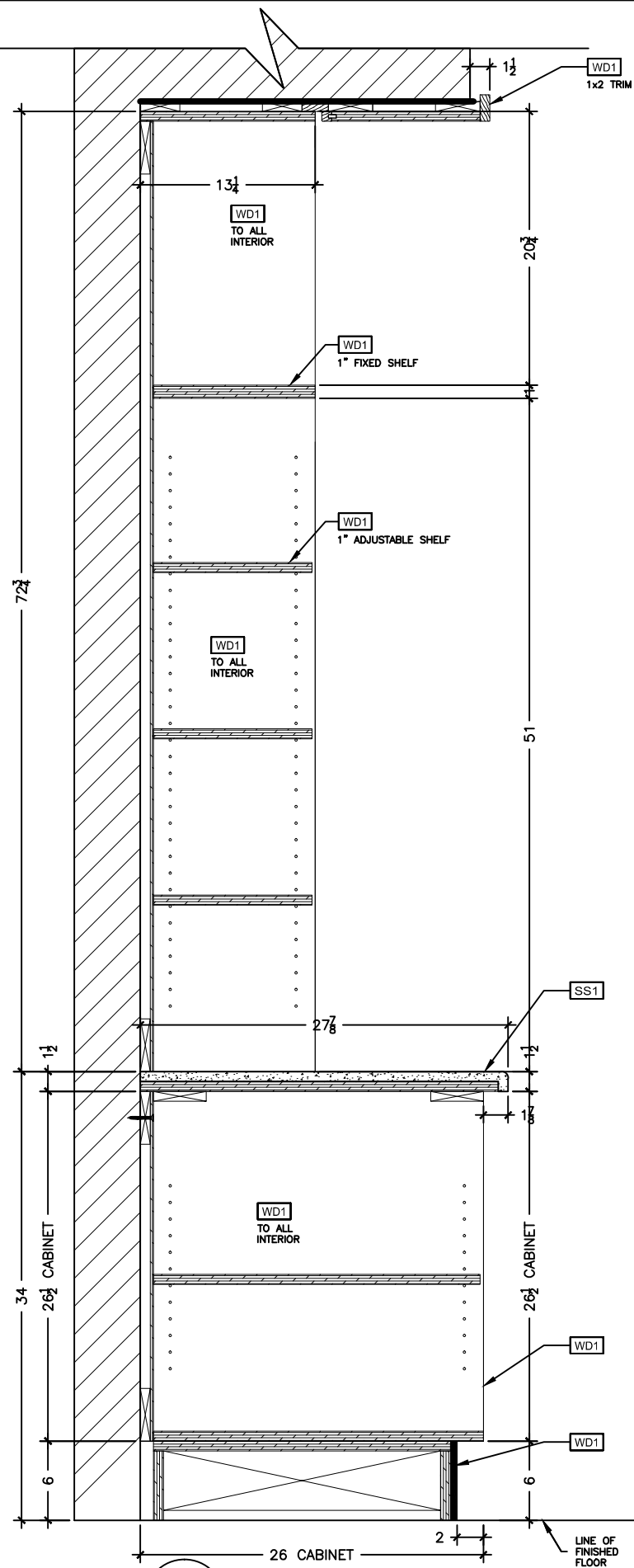
DRAWN BY : ZD TJ

SCALE: 3/4" = 12"

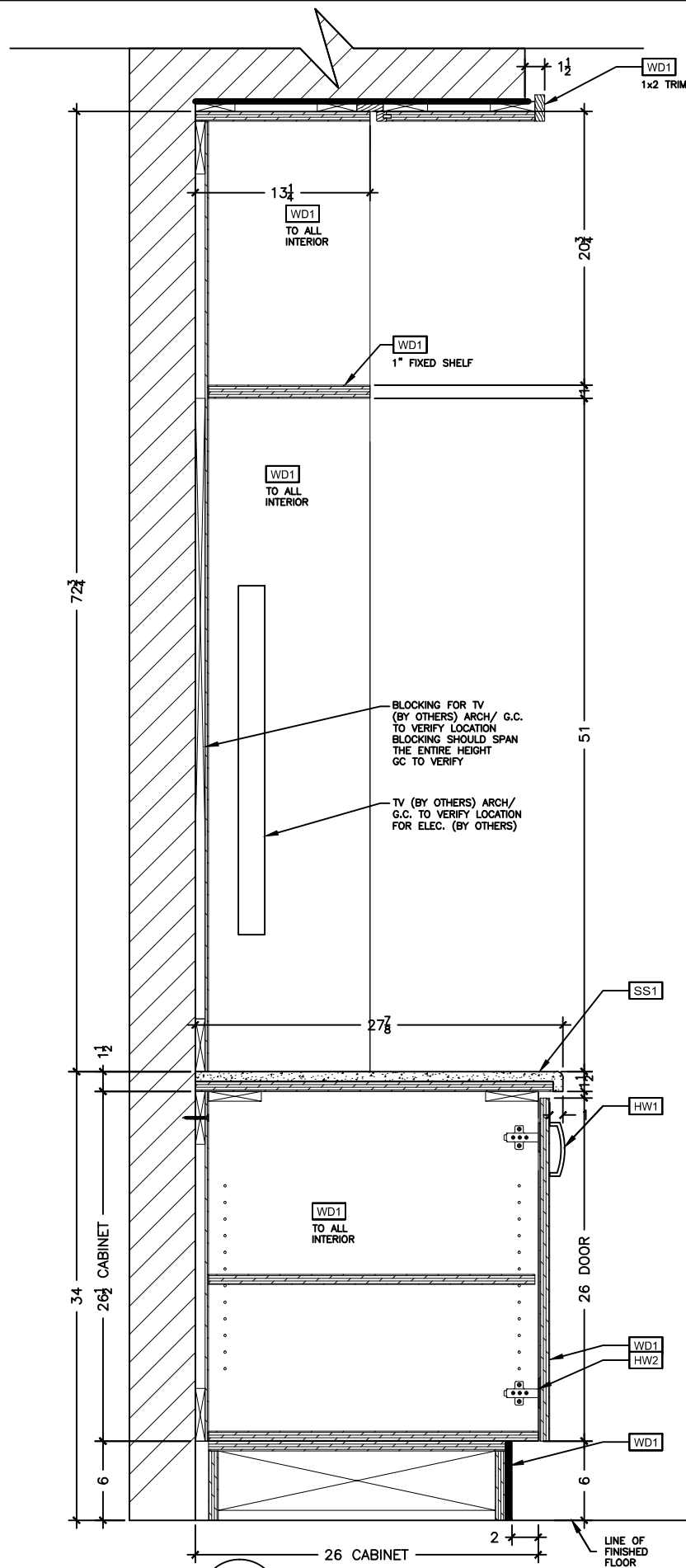
DRAWING NAME :
RECEPTION 101

DRAWING #
4.4
PLAN

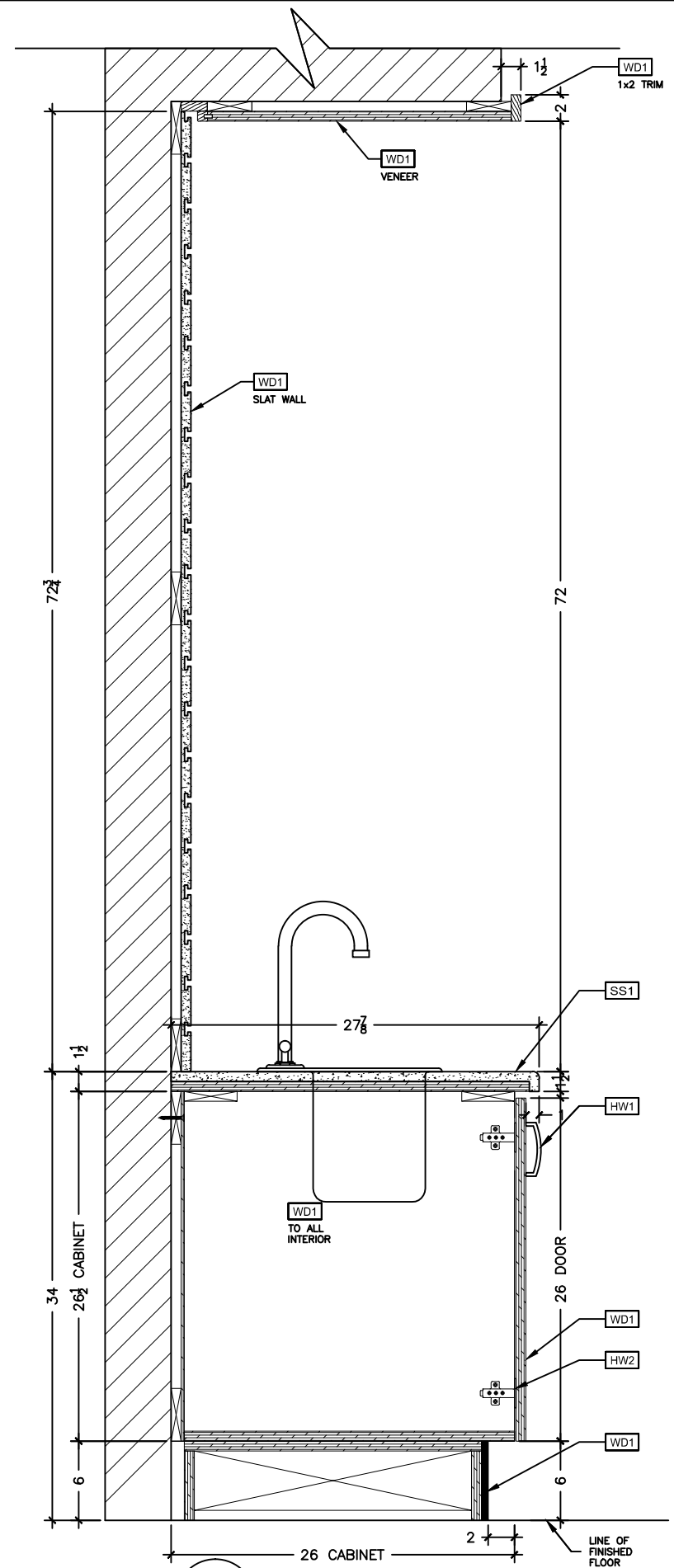
04-11172-150220.dwg



S1 RECEPTION 101
4.5 SECTION, Scale: 1" = 12"



S2 RECEPTION 101
4.5 SECTION, Scale: 1" = 12"



S3 RECEPTION 101
4.5 SECTION, Scale: 1" = 12"

GENERAL NOTE: ALL DIMENSIONS WILL BE FIELD VERIFIED PRIOR TO FABRICATION.

ISSUE:
14-01-30 FOR REVIEW
14-02-14 FOR CONSTRUCTION

DRAWN BY : ZD TJ

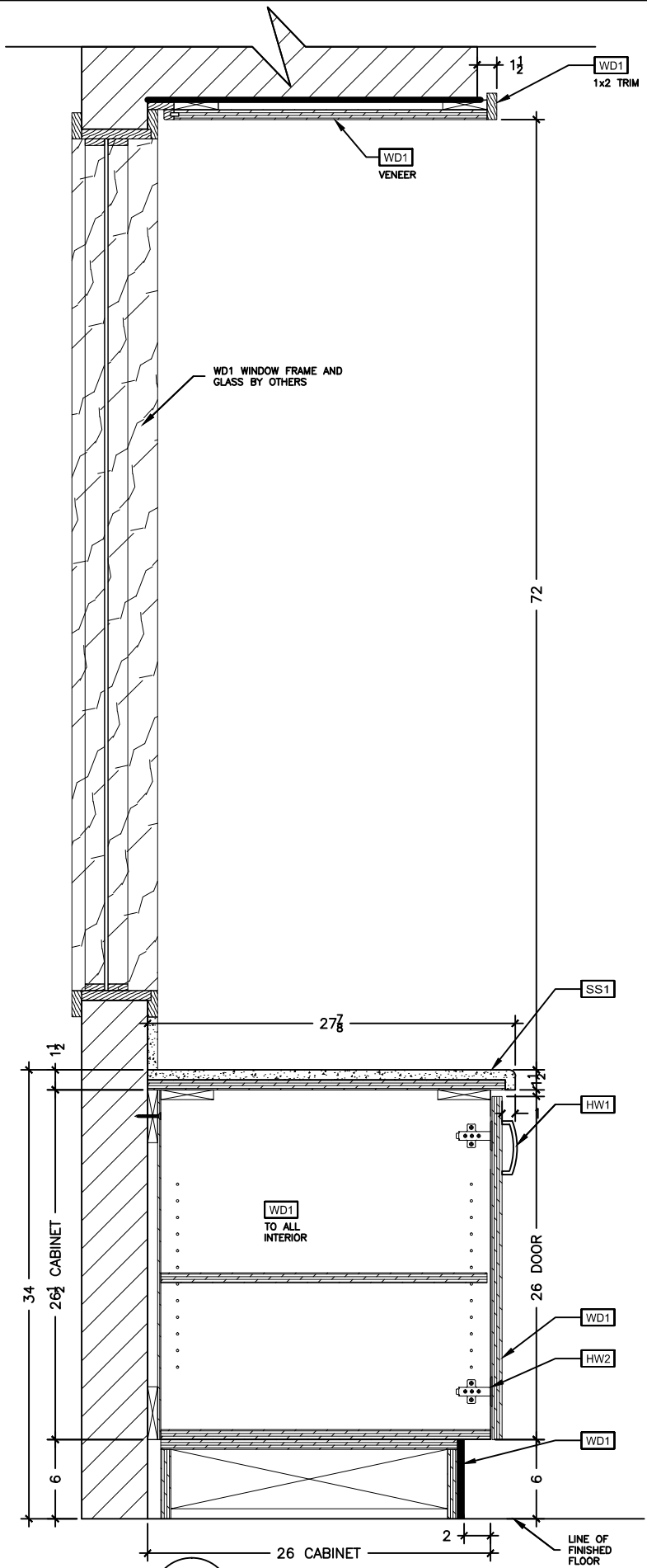
SCALE: 3/4" = 12"

DRAWING NAME :
RECEPTION 101

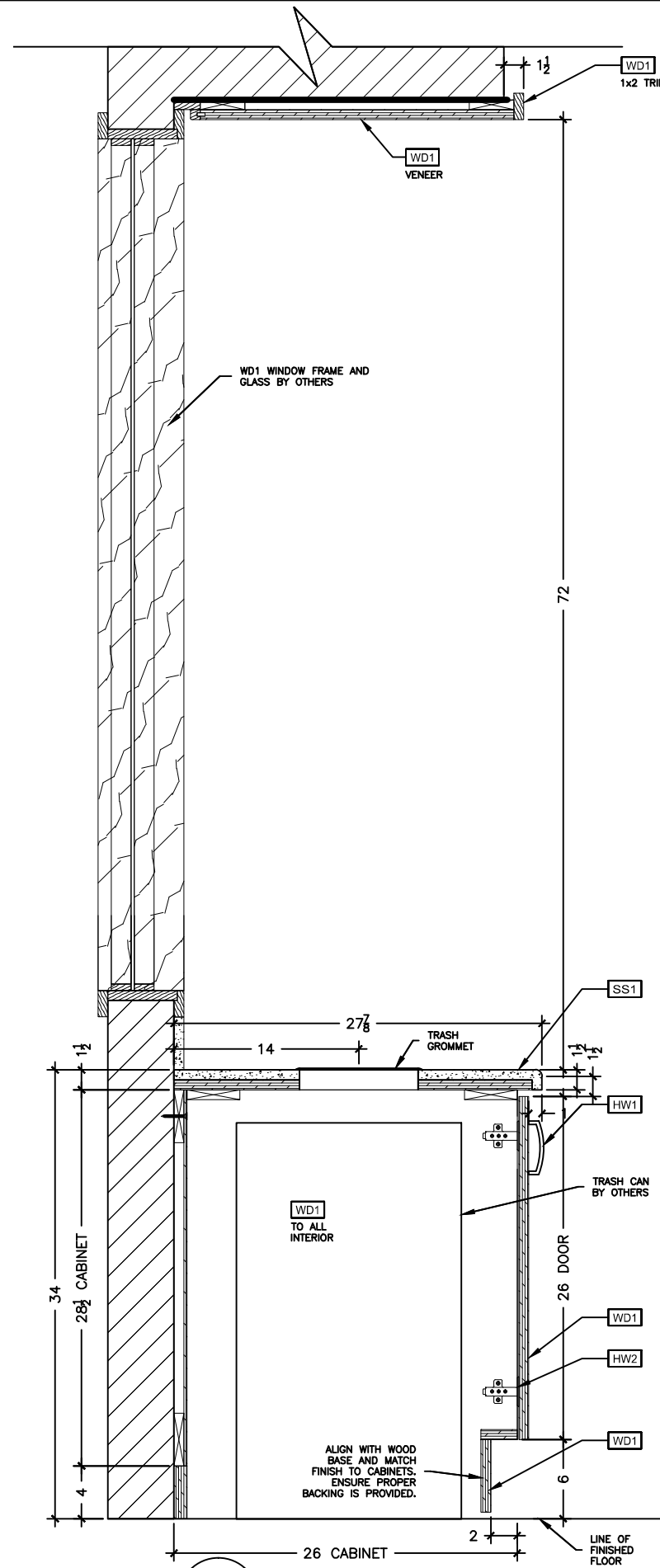
DRAWING #

4.5
PLAN

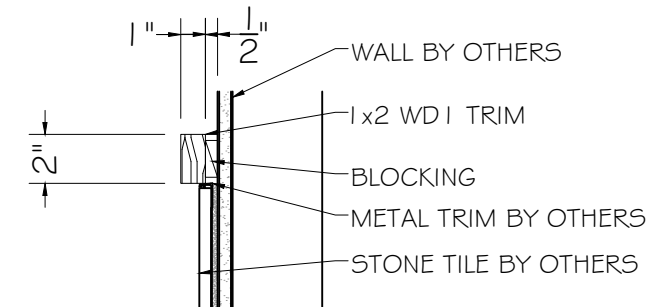
04-11172-150220.dwg



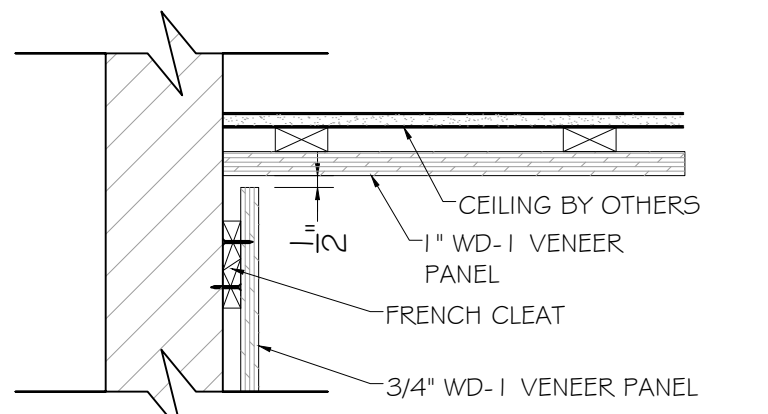
S1 RECEPTION 101
4.6 SECTION, Scale: 1" = 12"



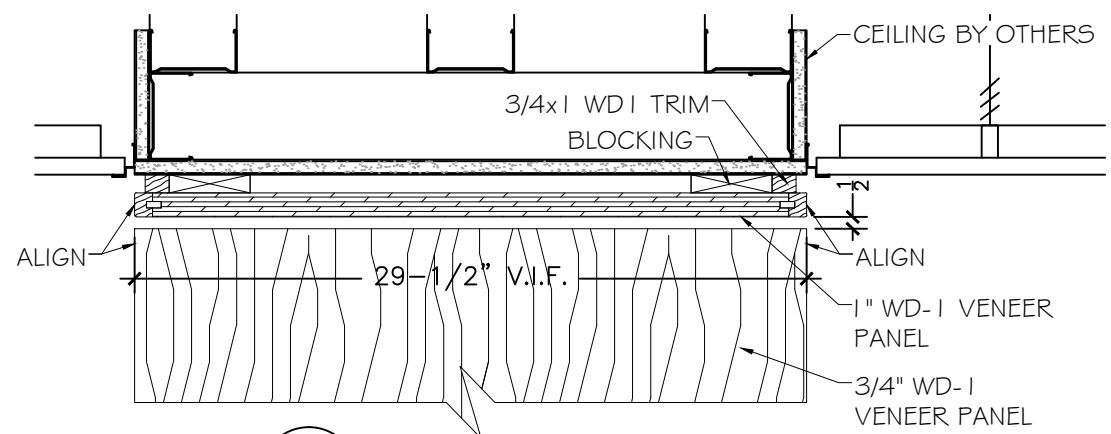
S2 RECEPTION 101
4.6 SECTION, Scale: 1" = 12"



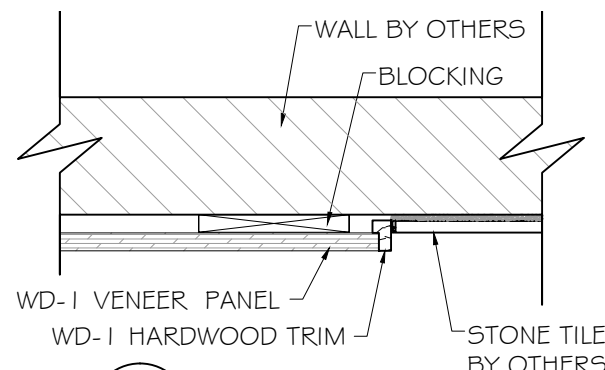
S3 TRIM AT STONE TILE
4.6 SECT, Scale: 1-1/2" = 12"



S4 PANEL AT CEILING
4.6 SECT, Scale: 1-1/2" = 12"



S5 PANEL AT SOFFIT
4.6 SECT, Scale: 1-1/2" = 12"



S6 PANEL AT CORNER
4.6 SECT, Scale: 1-1/2" = 12"

GENERAL NOTE: ALL DIMENSIONS WILL BE FIELD VERIFIED PRIOR TO FABRICATION.

ISSUE:
14-01-30 FOR REVIEW
14-02-14 FOR CONSTRUCTION

DRAWN BY : ZD TJ

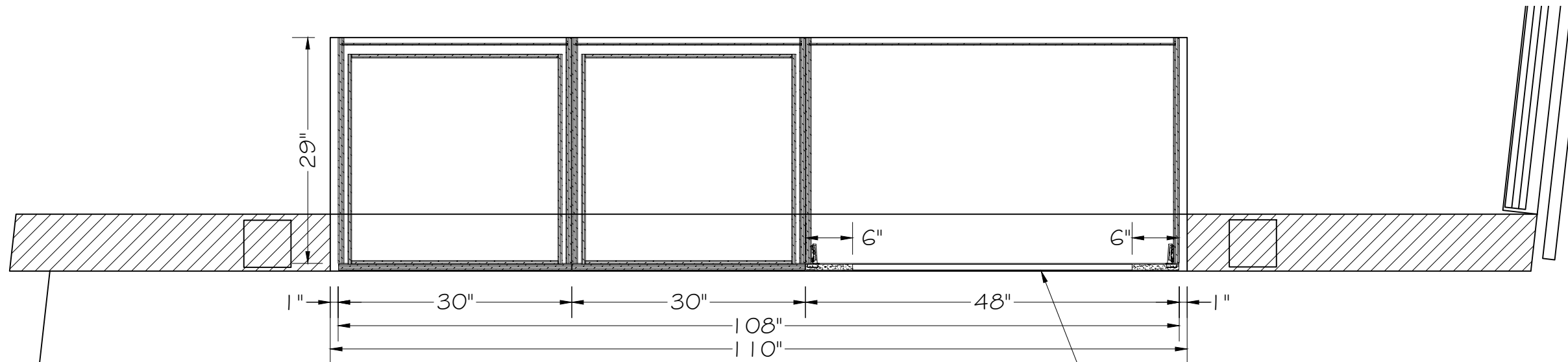
SCALE: 3/4" = 12"

DRAWING NAME :
RECEPTION 101

DRAWING #

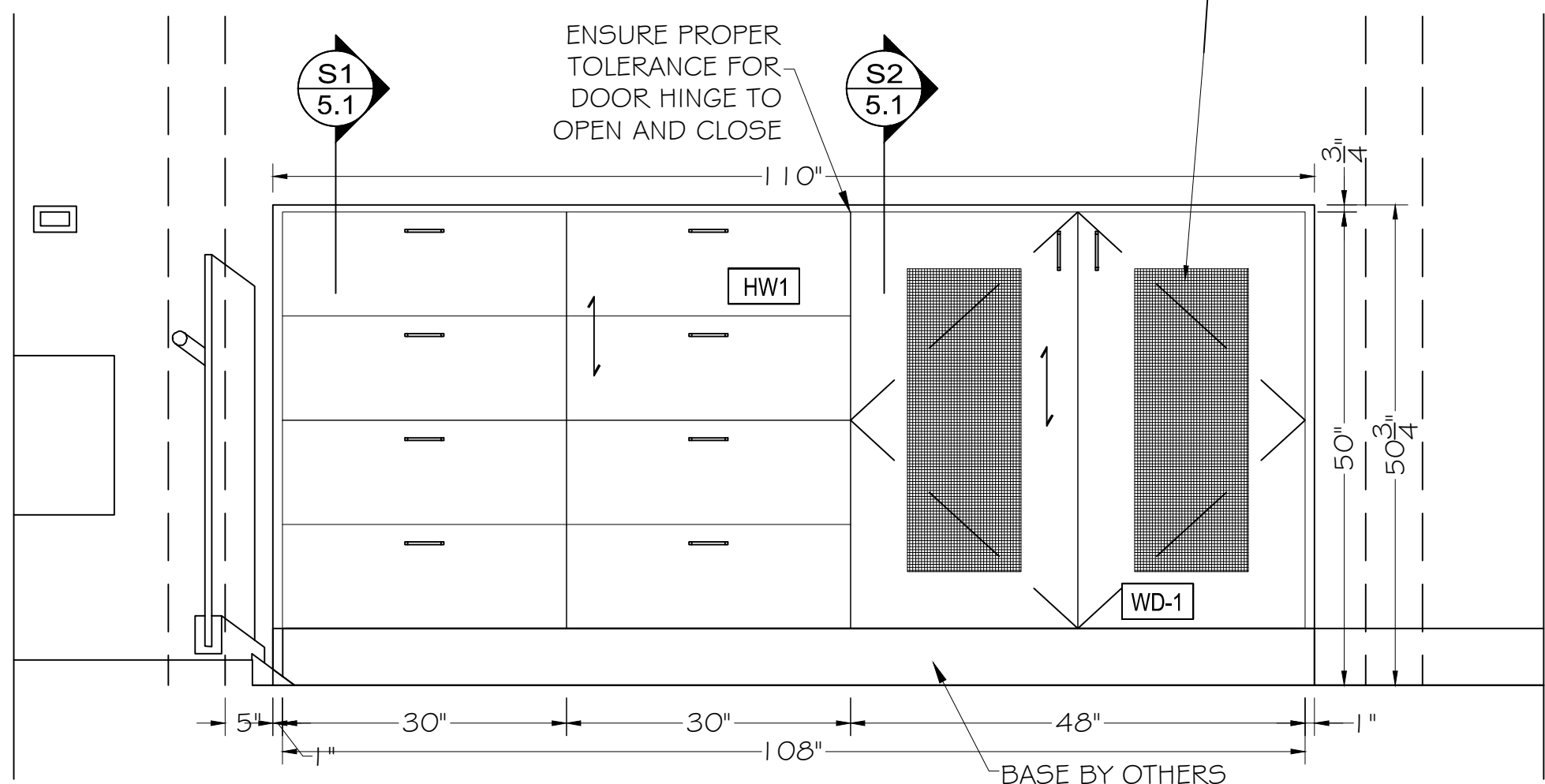
4.6
PLAN

04-11172-150220.dwg



P1 MULTIPURPOSE ROOM 103
5.0 PLAN, Scale: 1/2" = 12"

PERFORATED METAL INFILL TO BE INSTALLED TO ALLOW AIRFLOW. PAINT PERFORATED METAL TO MATCH CABINETRY FINISH PT-1. SEE SPECIFICATIONS FOR ADDITIONAL INFORMATION.



E1 MULTIPURPOSE ROOM 103
5.0 PLAN, Scale: 1/2" = 12"

BASE BY OTHERS
 RESILIENT BASE
 GC TO COORDINATE

GENERAL NOTE: ALL DIMENSIONS WILL BE FIELD VERIFIED PRIOR TO FABRICATION.

ISSUE:
 14-01-30 FOR REVIEW
 14-02-14 FOR CONSTRUCTION

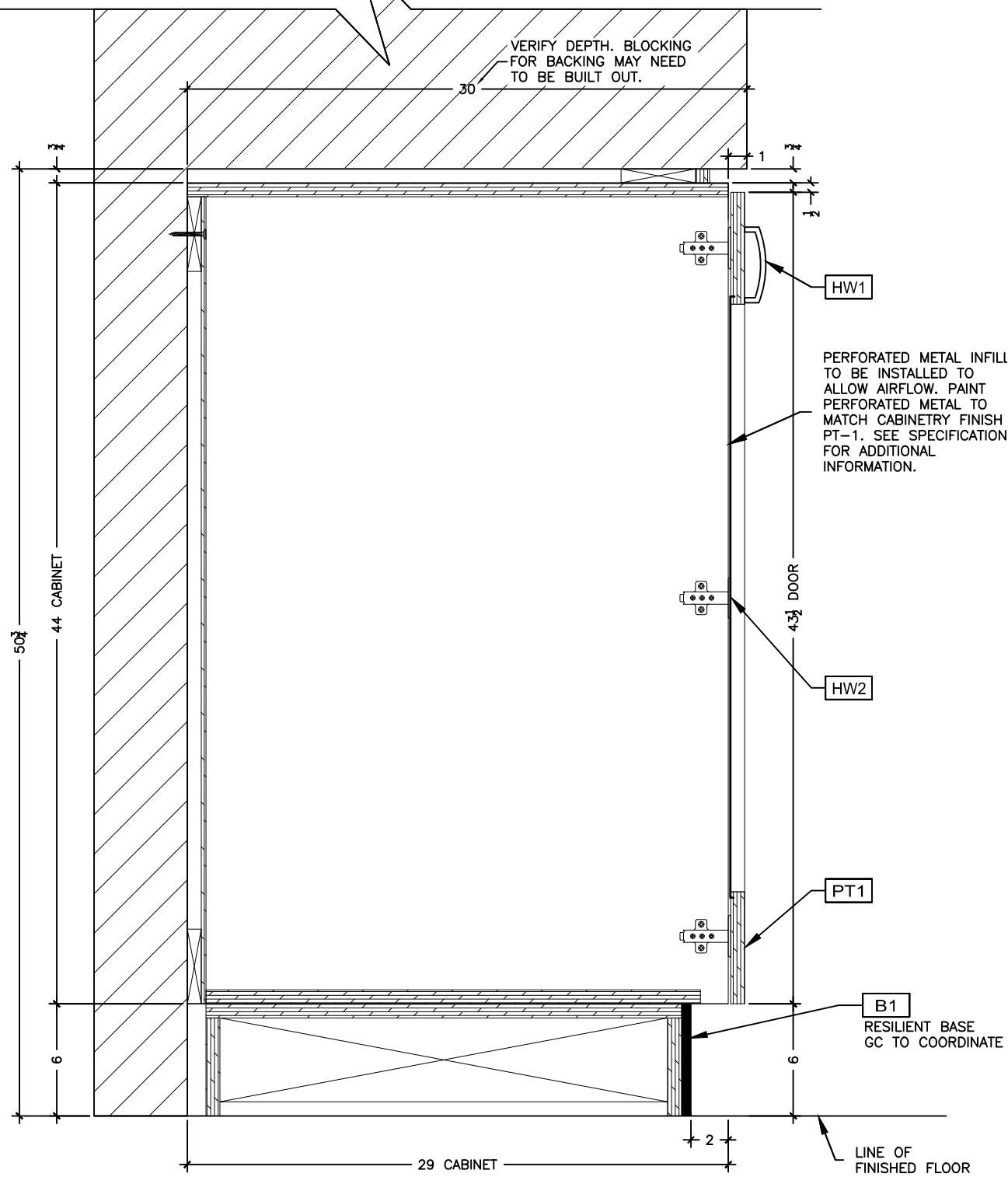
DRAWN BY : ZD TJ

SCALE: 3/4" = 12"

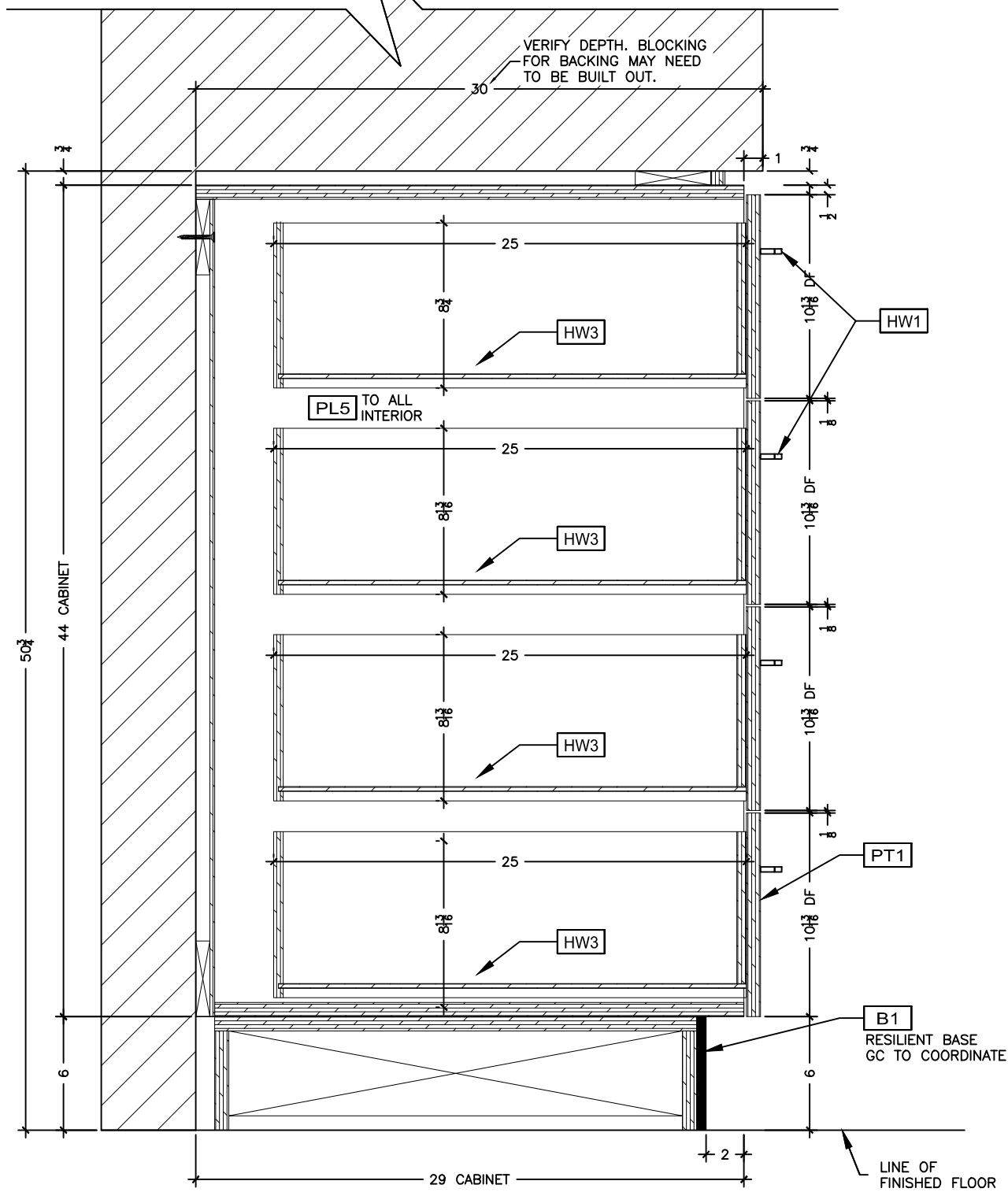
DRAWING NAME :
 MULTIPURPOSE ROOM 103

DRAWING #

5.0
PLAN



S1 MULTIPURPOSE ROOM 103
5.1 SECTION, Scale: 1-1/2" = 12"



S2 MULTIPURPOSE ROOM 103
5.1 SECTION, Scale: 1-1/2" = 12"

GENERAL NOTE: ALL DIMENSIONS WILL BE FIELD VERIFIED PRIOR TO FABRICATION.

ISSUE:
14-01-30 FOR REVIEW
14-02-14 FOR CONSTRUCTION

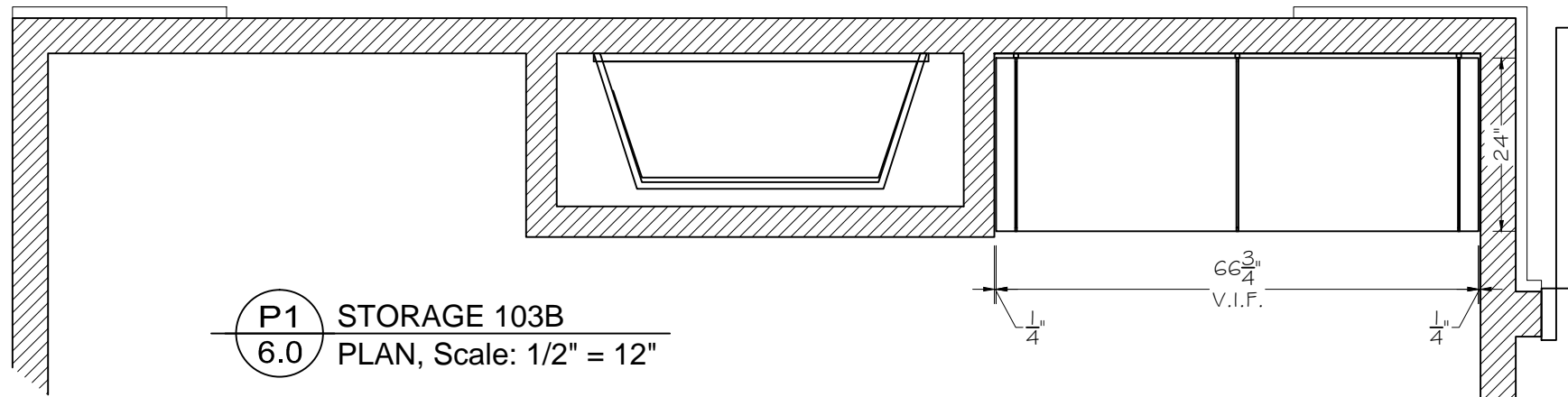
DRAWN BY : ZD TJ

SCALE: 3/4" = 12"

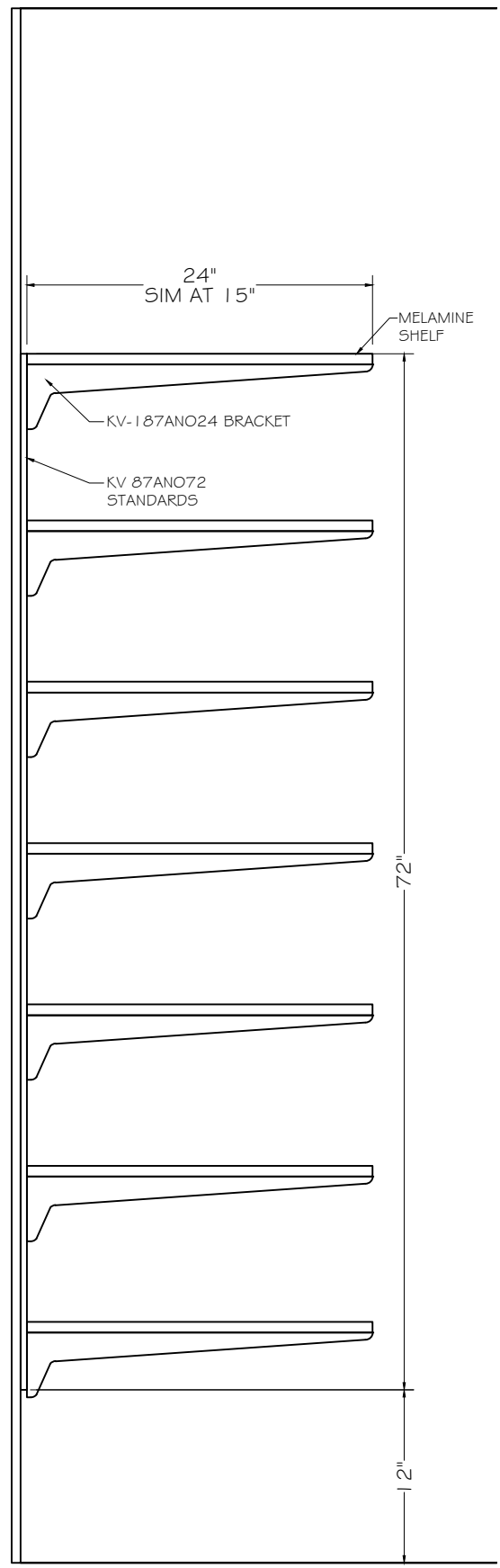
DRAWING NAME :
MULTIPURPOSE ROOM
103

DRAWING #

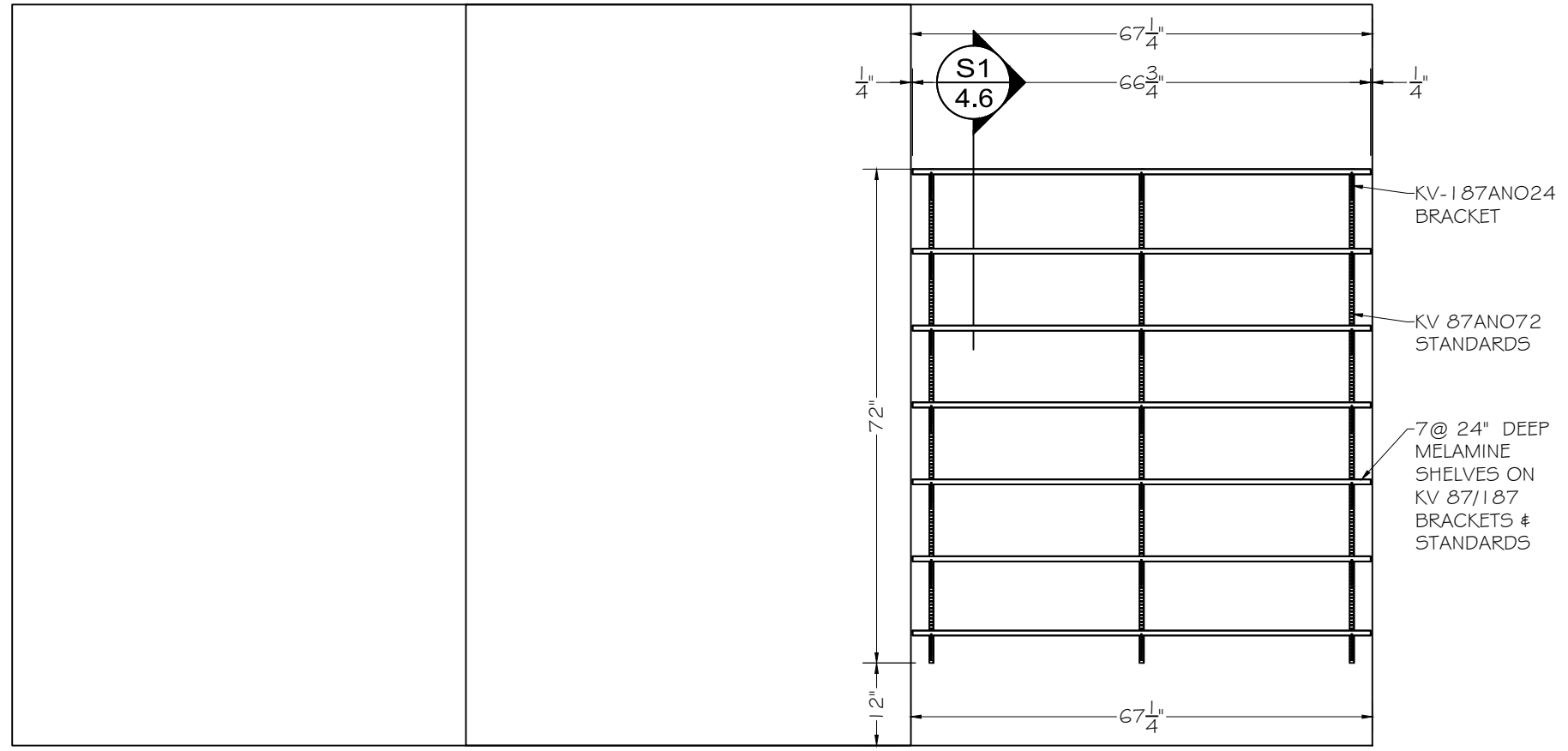
5.1
PLAN



P1 STORAGE 103B
6.0 PLAN, Scale: 1/2" = 12"



S1 STORAGE 103B
6.0 SECT, Scale: 1" = 12"



E2 STORAGE 103B
6.0 ELEV, Scale: 1/2" = 12"

GENERAL NOTE: ALL DIMENSIONS WILL BE FIELD VERIFIED PRIOR TO FABRICATION.

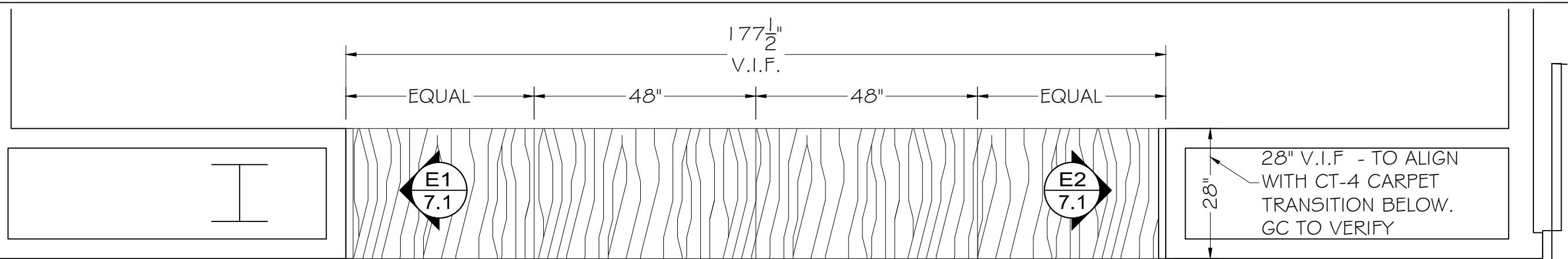
ISSUE:
 14-01-30 FOR REVIEW
 14-02-14 FOR CONSTRUCTION

DRAWN BY : ZD TJ

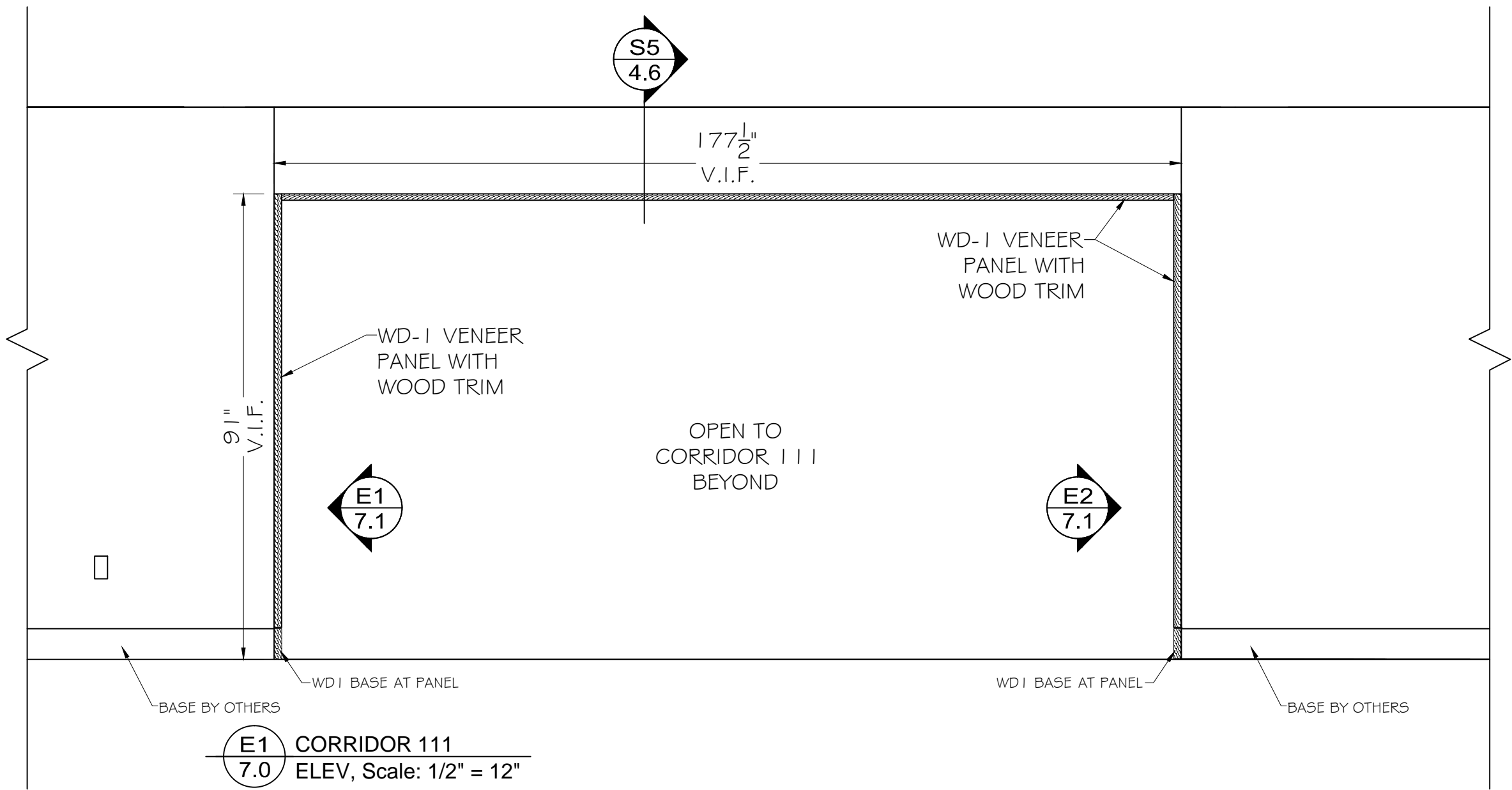
SCALE: AS SHOWN

DRAWING NAME :
 STORAGE 103B

DRAWING #
6.0
PLAN



P1 CORRIDOR 111
7.0 PLAN, Scale: 1/2" = 12"



E1 CORRIDOR 111
7.0 ELEV, Scale: 1/2" = 12"

GENERAL NOTE: ALL DIMENSIONS WILL BE FIELD VERIFIED PRIOR TO FABRICATION.

ISSUE:
 14-01-30 FOR REVIEW
 14-02-14 FOR CONSTRUCTION

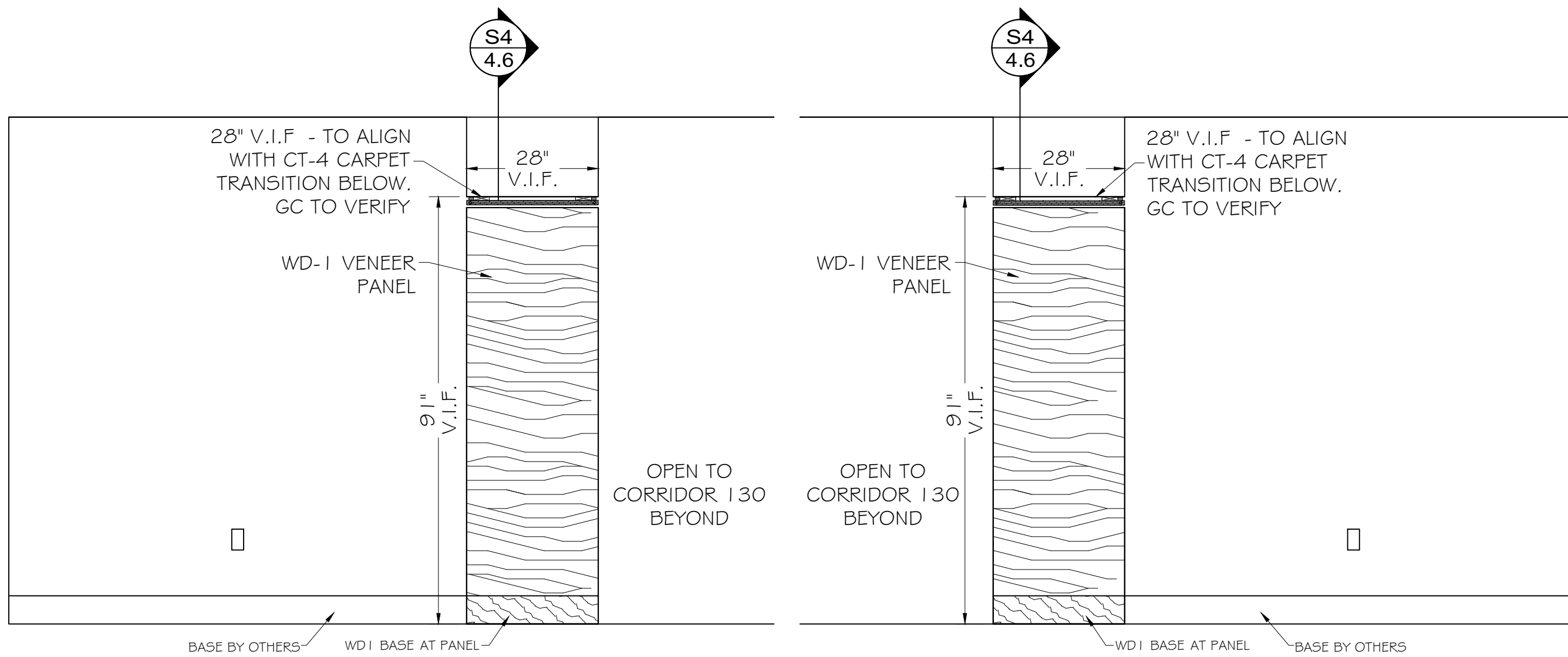
DRAWN BY : ZD TJ

SCALE: 3/4" = 12"

DRAWING NAME :
 NURSE STATION
 RM 1123B

DRAWING #

7.0
PLAN



E1 CORRIDOR 111
7.1 ELEV, Scale: 1/2" = 12"

E2 CORRIDOR 111
7.1 ELEV, Scale: 1/2" = 12"

GENERAL NOTE: ALL DIMENSIONS WILL BE FIELD VERIFIED PRIOR TO FABRICATION.

ISSUE:
 14-01-30 FOR REVIEW
 14-02-14 FOR CONSTRUCTION

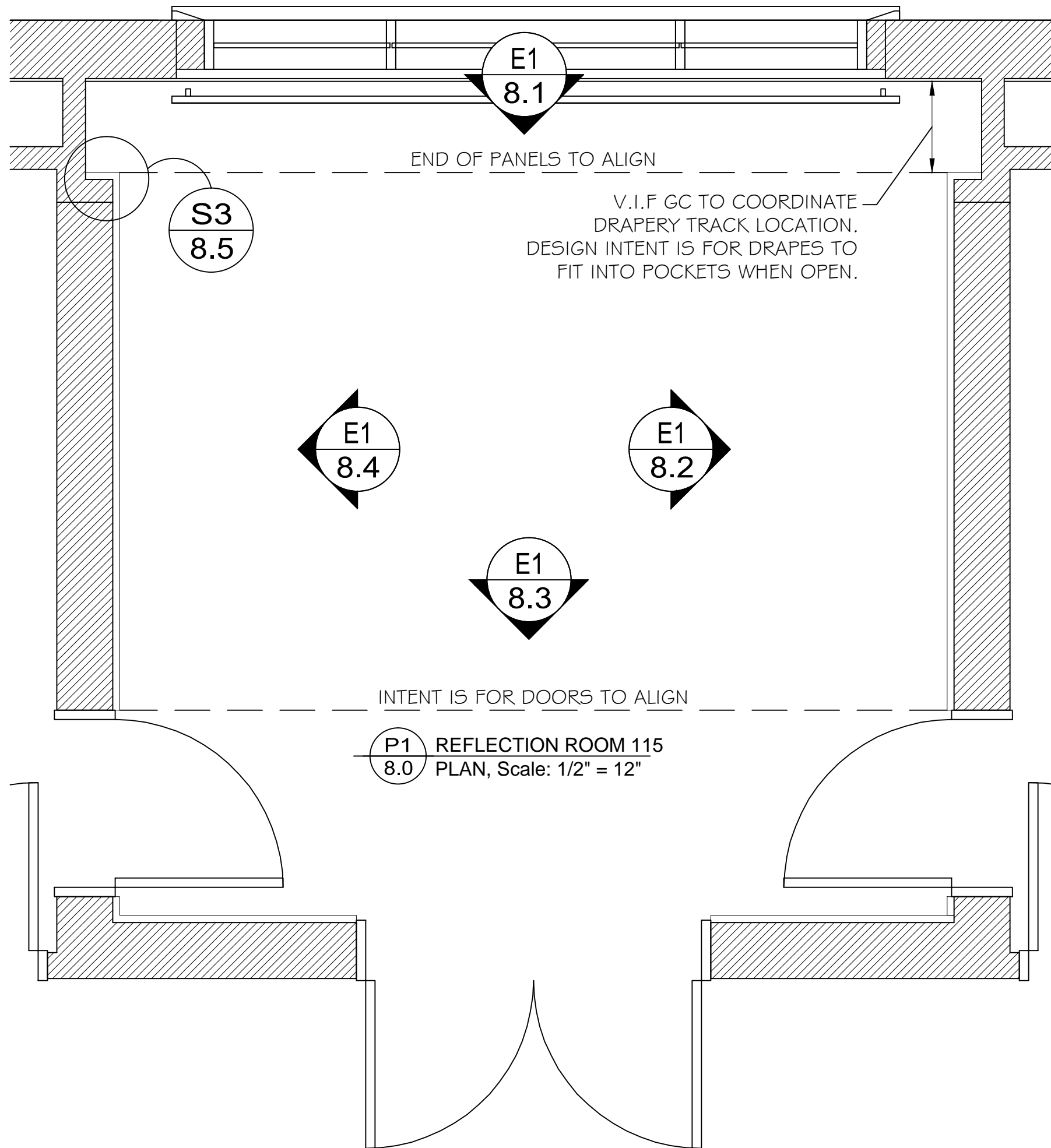
DRAWN BY : ZD TJ

SCALE: 3/4" = 12"

DRAWING NAME :
 NURSE STATION
 RM 1123B

DRAWING #

7.1
PLAN



GENERAL NOTE: ALL DIMENSIONS WILL BE FIELD VERIFIED PRIOR TO FABRICATION.

ISSUE:
 14-01-30 FOR REVIEW
 14-02-14 FOR CONSTRUCTION

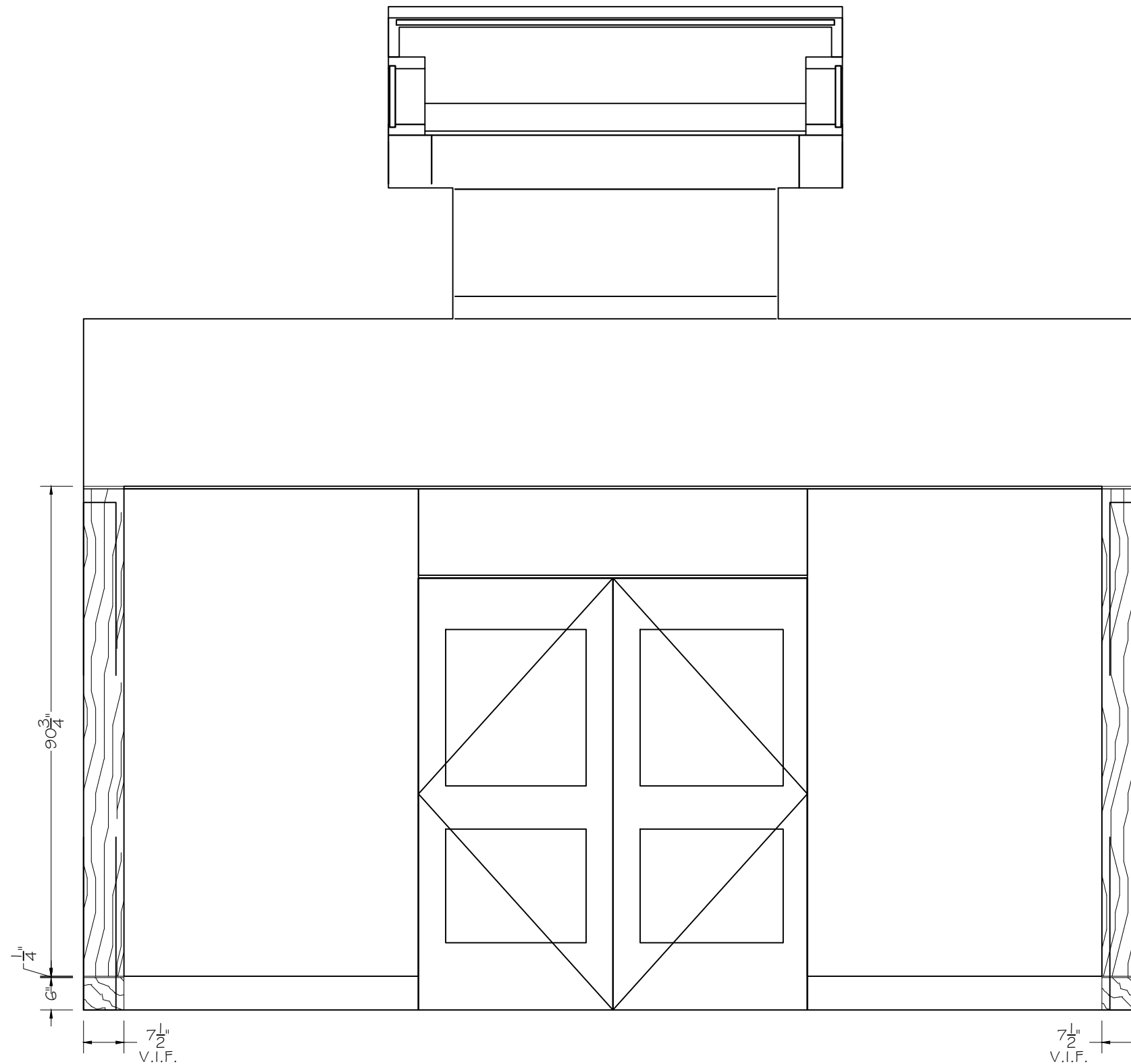
DRAWN BY : ZD TJ

SCALE: 3/4" = 12"

DRAWING NAME :
 REFLECTION ROOM
 115

DRAWING #

8.0
PLAN



E1 REFLECTION ROOM 115
8.1 ELEV, Scale: 1/2" = 12"

GENERAL NOTE: ALL DIMENSIONS WILL BE FIELD VERIFIED PRIOR TO FABRICATION.

ISSUE:
 14-01-30 FOR REVIEW
 14-02-14 FOR CONSTRUCTION

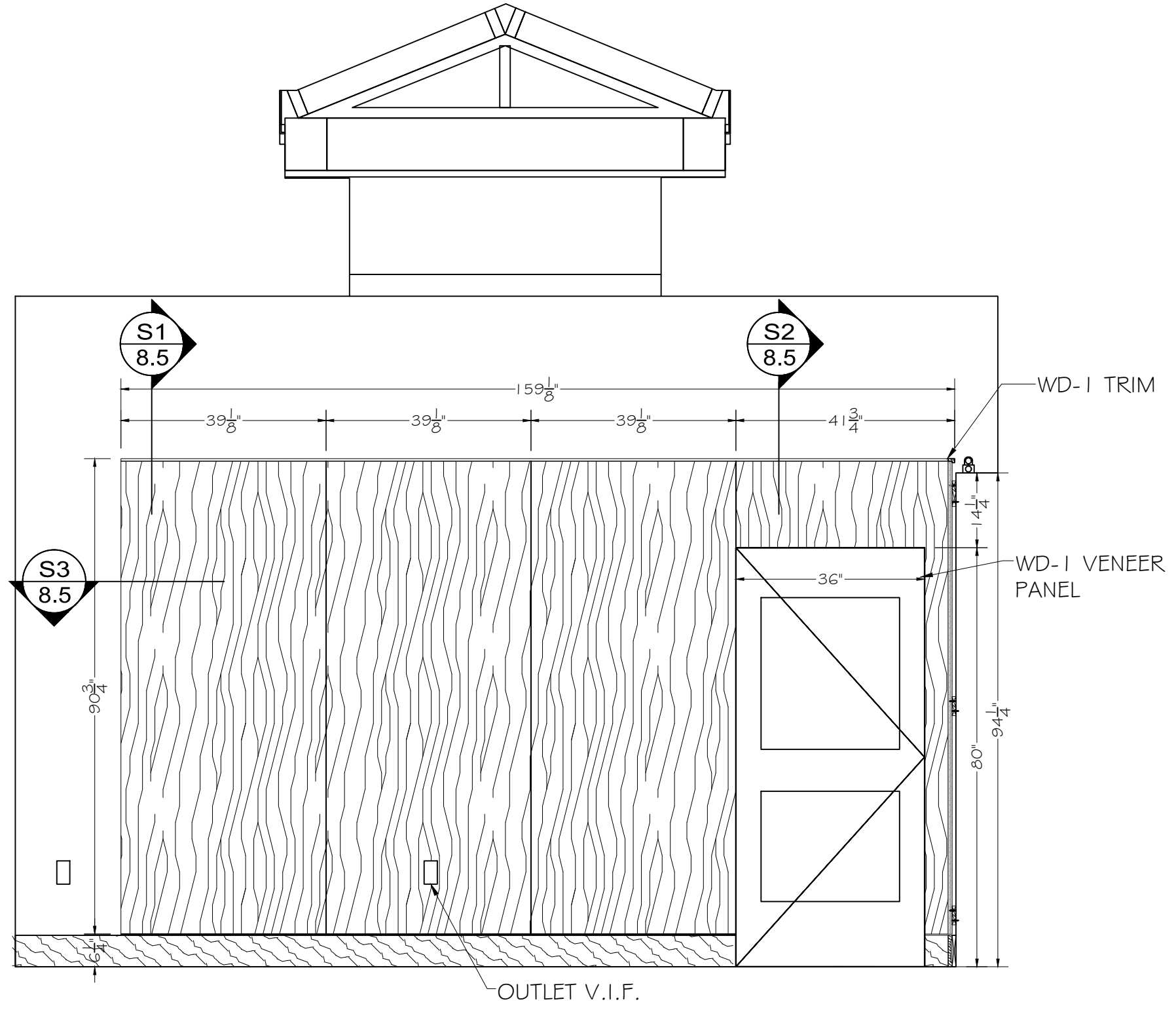
DRAWN BY : ZD TJ

SCALE: 3/4" = 12"

DRAWING NAME :
 REFLECTION ROOM
 115

DRAWING #

8.1
PLAN



GENERAL NOTE: ALL DIMENSIONS WILL BE FIELD VERIFIED PRIOR TO FABRICATION.

ISSUE:
 14-01-30 FOR REVIEW
 14-02-14 FOR CONSTRUCTION

DRAWN BY : ZD TJ

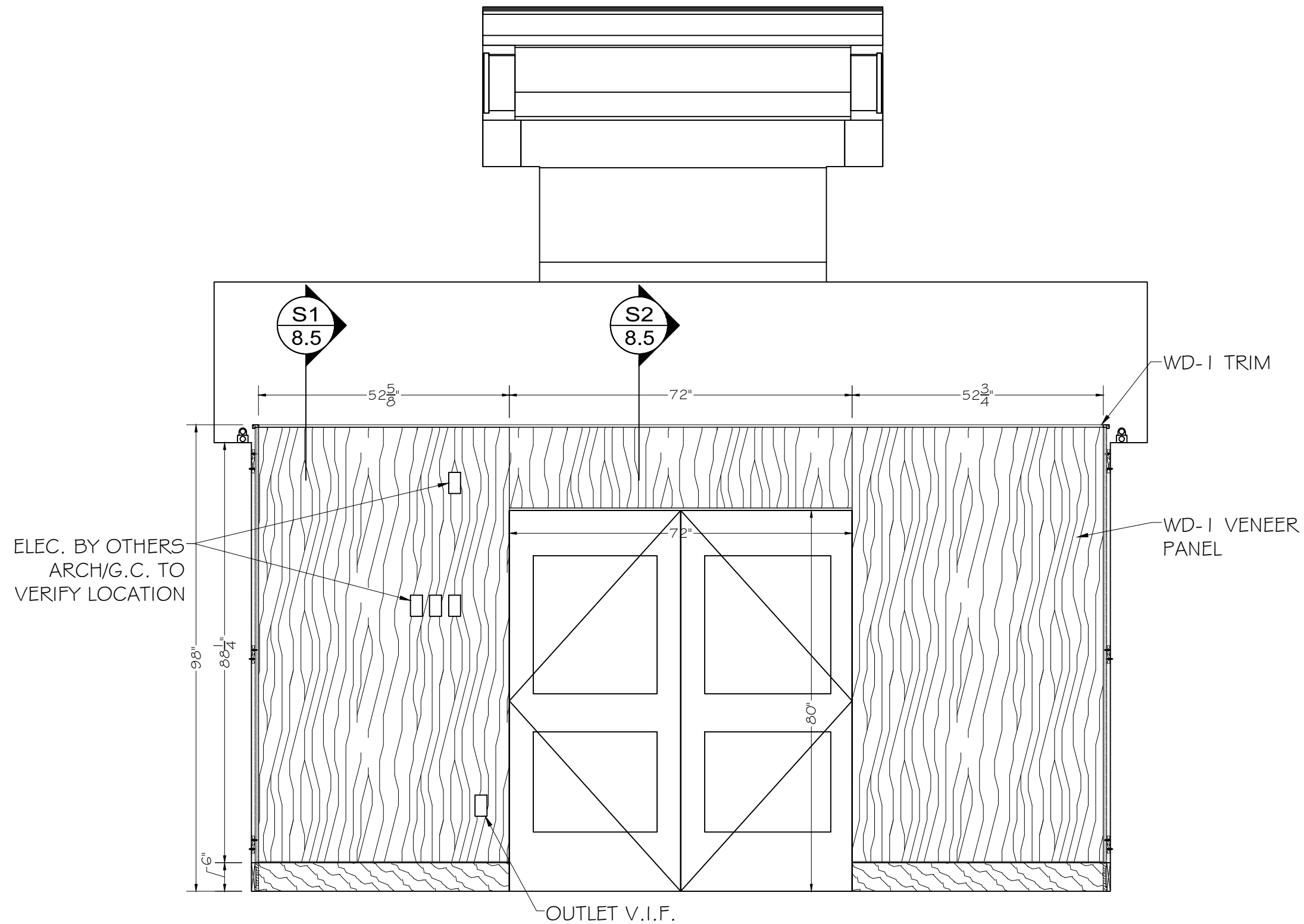
SCALE: 3/4" = 12"

DRAWING NAME :
 REFLECTION ROOM
 115

DRAWING #

8.2
PLAN

E1 REFLECTION ROOM 115
 8.2 ELEV, Scale: 1/2" = 12"



GENERAL NOTE: ALL DIMENSIONS WILL BE FIELD VERIFIED PRIOR TO FABRICATION.

ISSUE:
 14-01-30 FOR REVIEW
 14-02-14 FOR CONSTRUCTION

DRAWN BY : ZD TJ

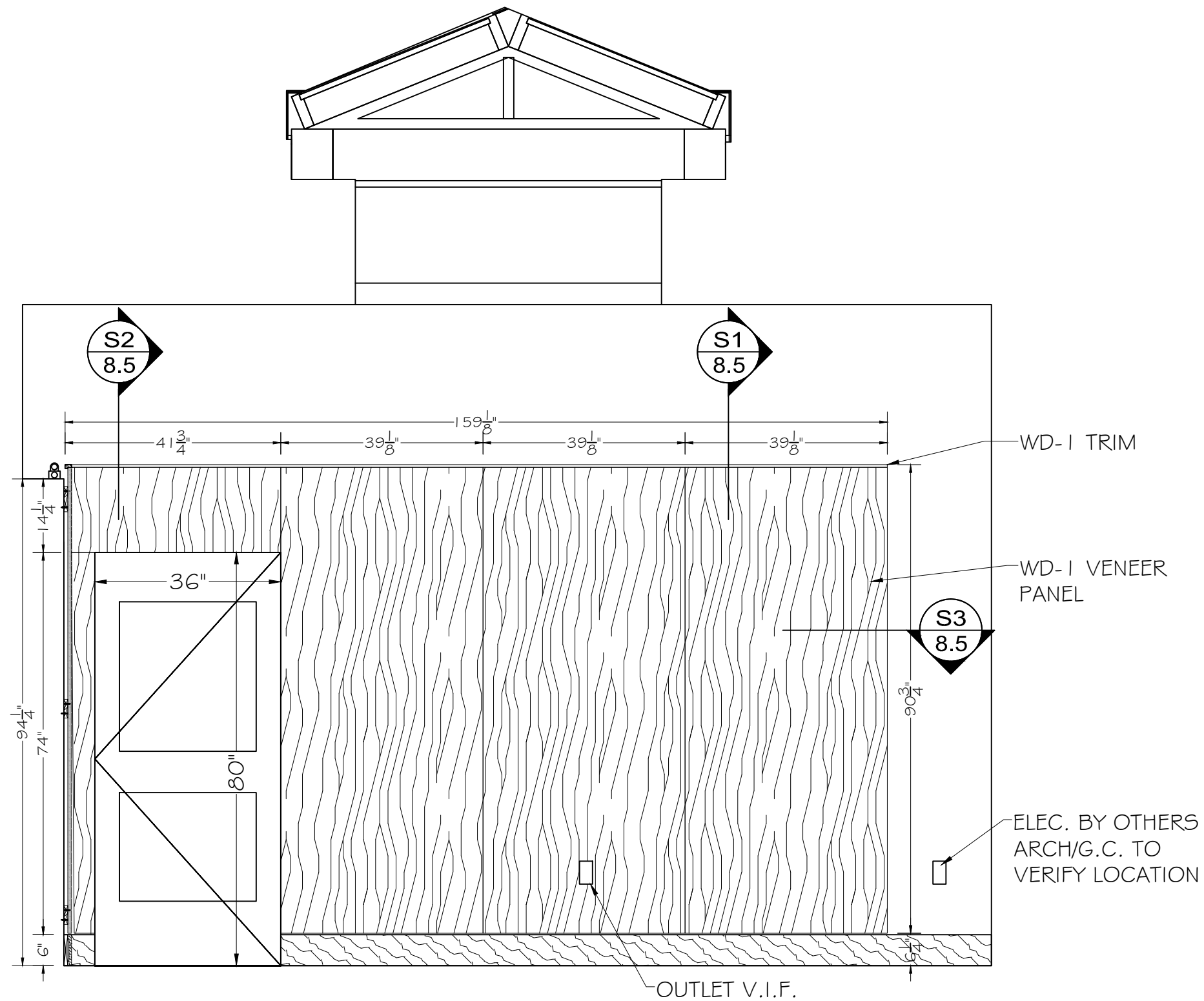
SCALE: 3/4" = 12"

DRAWING NAME :
 REFLECTION ROOM
 115

DRAWING #

8.3
PLAN

E1 REFLECTION ROOM 115
8.3 ELEV, Scale: 1/2" = 12"



E1 REFLECTION ROOM 115
8.4 ELEV, Scale: 1/2" = 12"

GENERAL NOTE: ALL DIMENSIONS WILL BE FIELD VERIFIED PRIOR TO FABRICATION.

ISSUE:
 14-01-30 FOR REVIEW
 14-02-14 FOR CONSTRUCTION

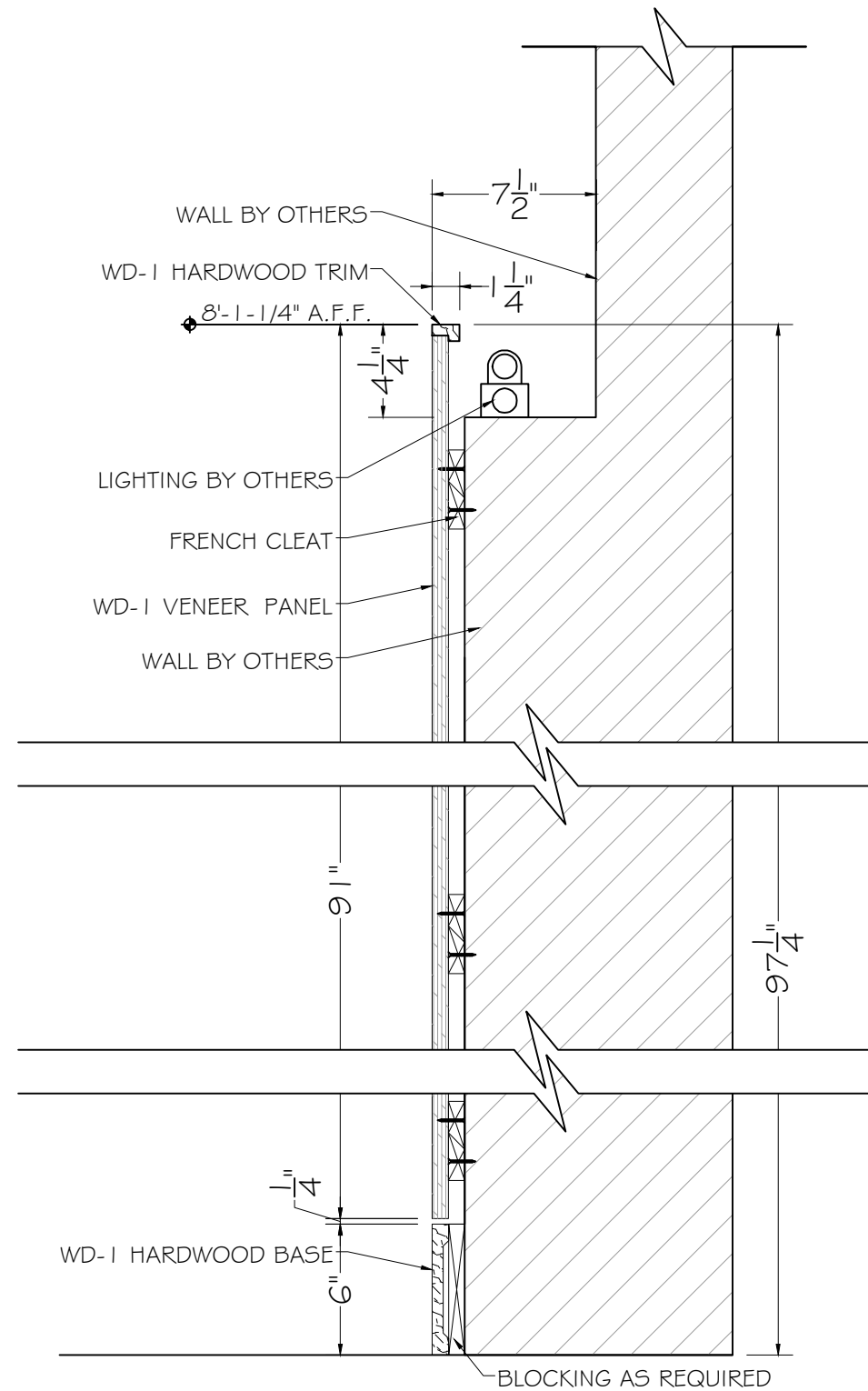
DRAWN BY : ZD TJ

SCALE: 3/4" = 12"

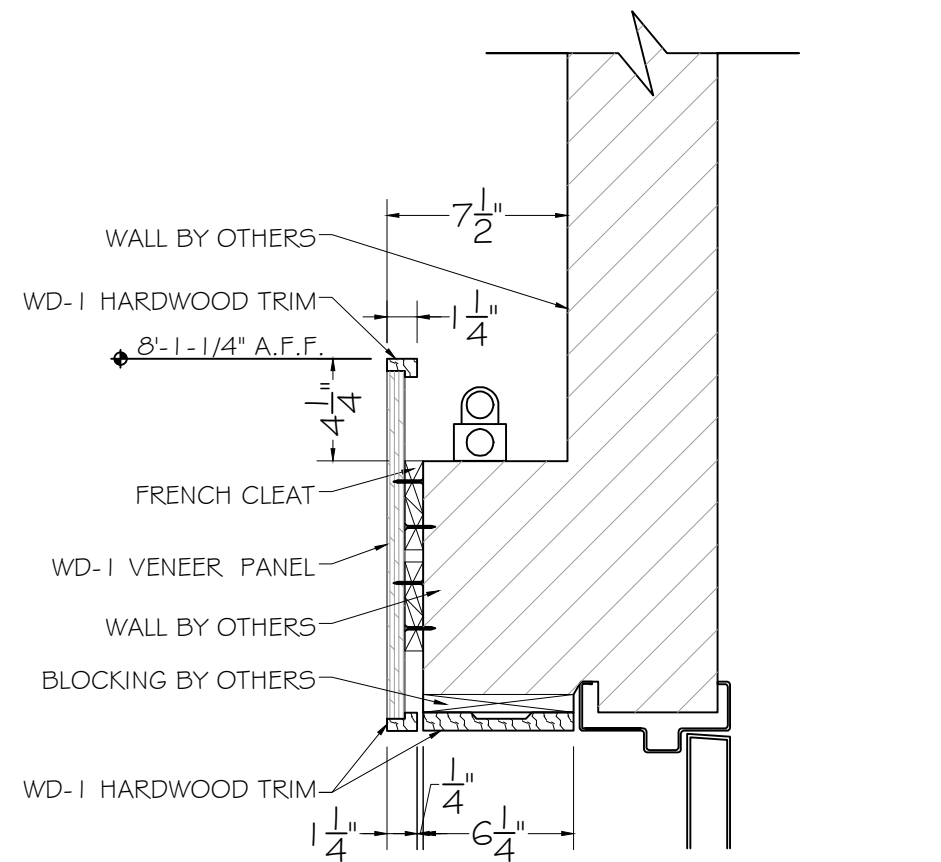
DRAWING NAME :
 REFLECTION ROOM
 115

DRAWING #

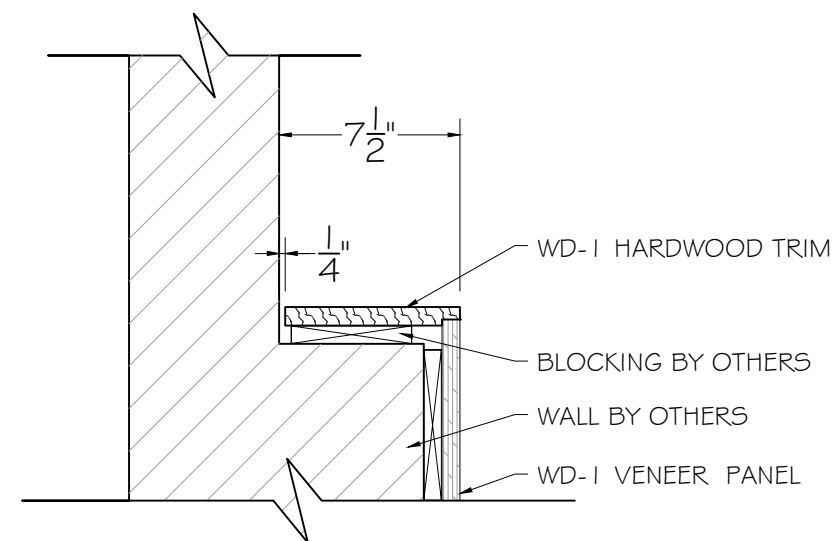
8.4
PLAN



S1 PANEL AT SOFFIT
8.5 SECT, Scale: 1-1/2" = 12"



S2 PANEL AT SOFFIT
8.5 SECT, Scale: 1-1/2" = 12"



S3 PANEL AT CORNER
8.5 SECT, Scale: 1-1/2" = 12"

GENERAL NOTE: ALL DIMENSIONS WILL BE FIELD VERIFIED PRIOR TO FABRICATION.

ISSUE:
14-01-30 FOR REVIEW
14-02-14 FOR CONSTRUCTION

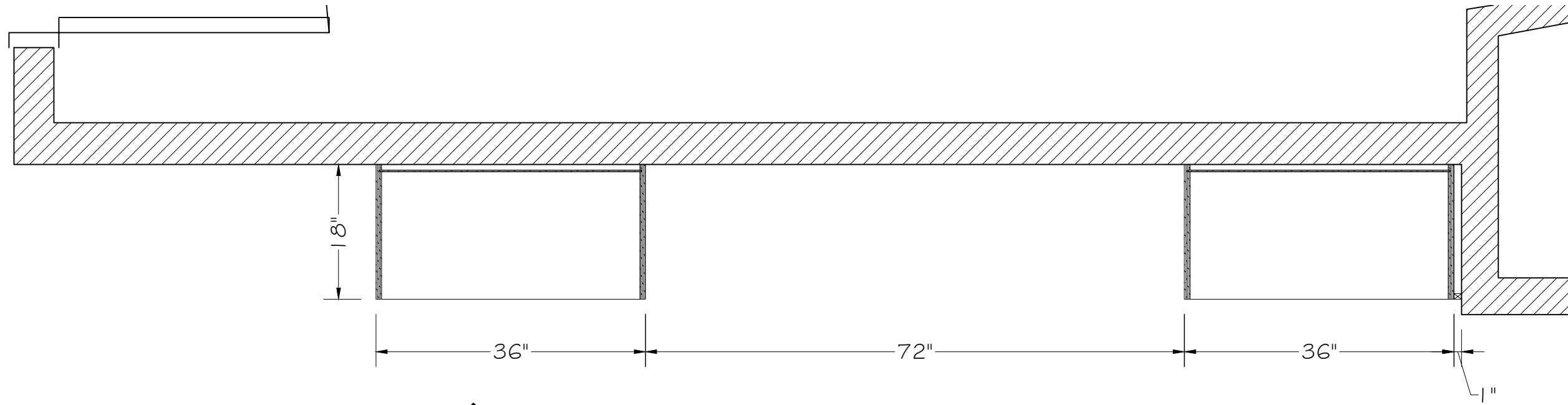
DRAWN BY : ZD TJ

SCALE: 3/4" = 12"

DRAWING NAME :
REFLECTION ROOM
115

DRAWING #

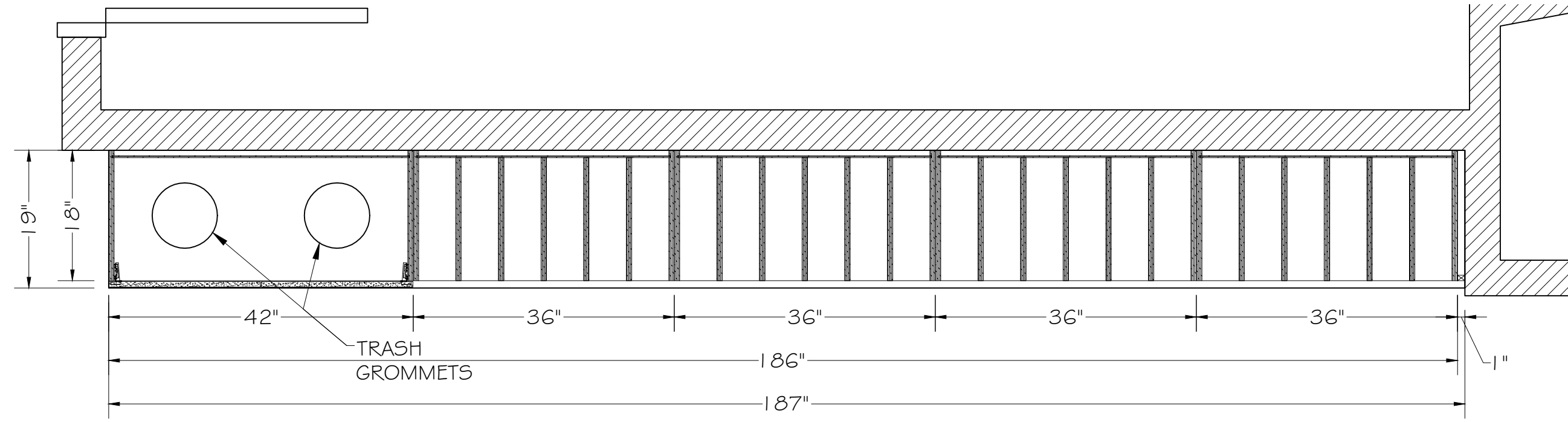
8.5
PLAN



P1 OPEN WORKROOM 116
9.0 PLAN, Scale: 3/4" = 12"

E1
9.1

GENERAL NOTE: FIELD
VERIFY ALL CRITICAL
DIMENSIONS PRIOR TO
FABRICATION.



P2 OPEN WORKROOM 116
9.0 PLAN, Scale: 3/4" = 12"

E1
9.1

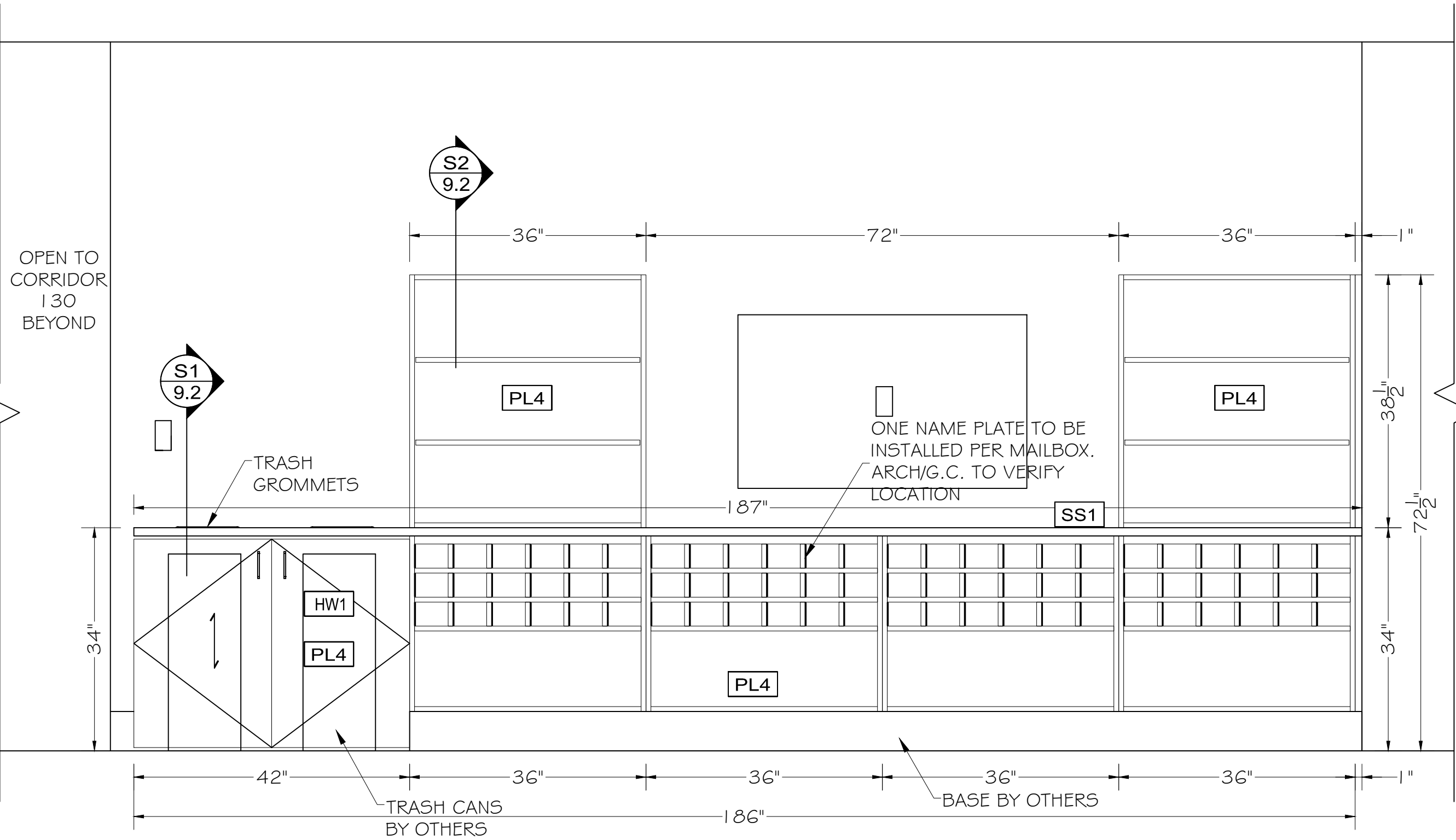
ISSUE:
14-01-30 FOR REVIEW
14-02-14 FOR CONSTRUCTION

DRAWN BY : ZD TJ

SCALE: 3/4" = 12"

DRAWING NAME :
OPEN WORKROOM 118

DRAWING #
9.0
PLAN



E1 OPEN WORKROOM 116
 9.1 ELEV, Scale: 3/4" = 12"

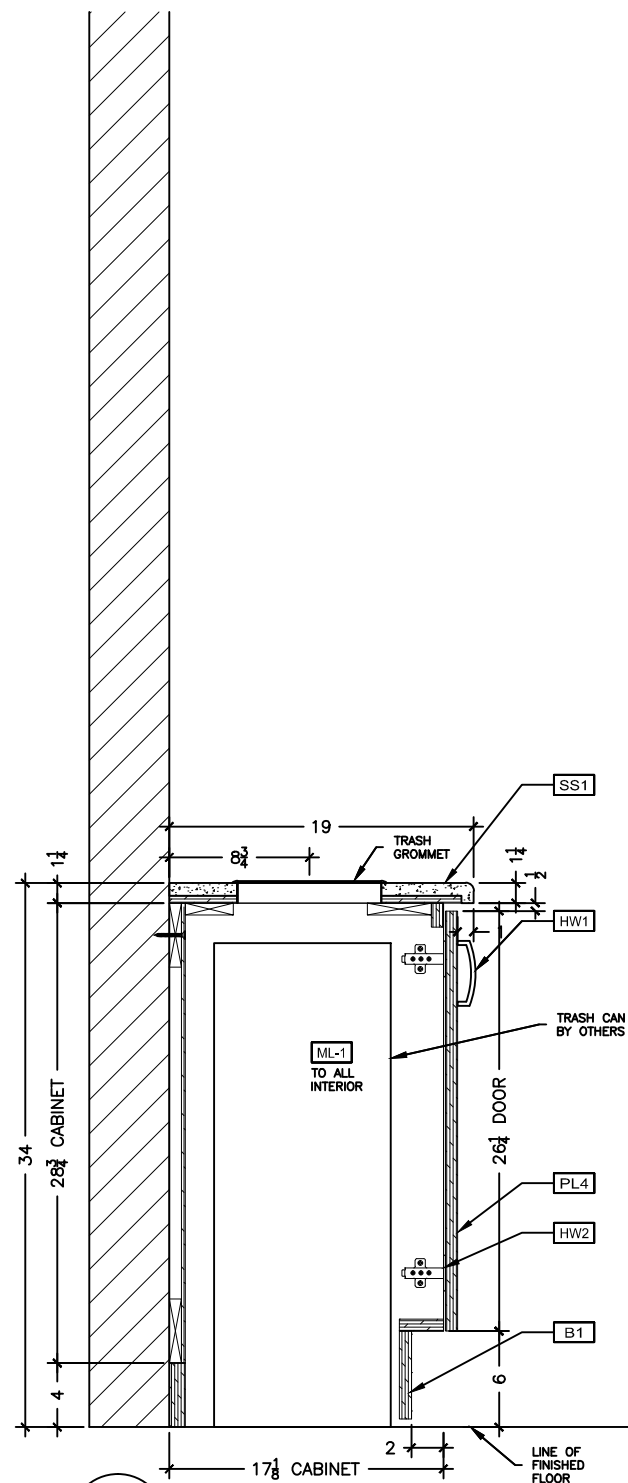
ISSUE:
 14-01-30 FOR REVIEW
 14-02-14 FOR CONSTRUCTION

DRAWN BY : ZD TJ

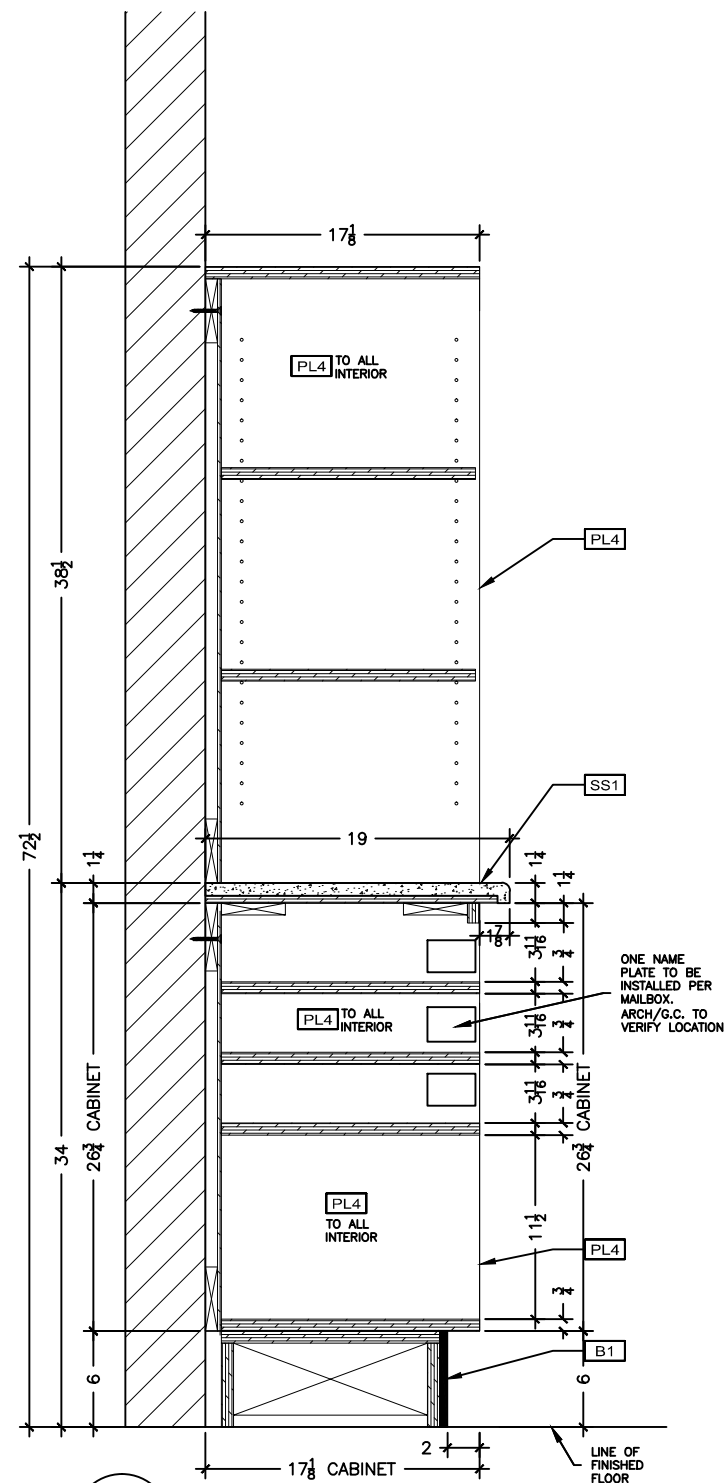
SCALE: 3/4" = 12"

DRAWING NAME :
 OPEN WORKROOM 118

DRAWING #
9.1
PLAN



S1 OPEN WORKROOM 116
9.2 SECTION, Scale: 1" = 12"



S2 OPEN WORKROOM 116
9.2 SECTION, Scale: 1" = 12"

ISSUE:
14-01-30 FOR REVIEW
14-02-14 FOR CONSTRUCTION

DRAWN BY : ZD TJ

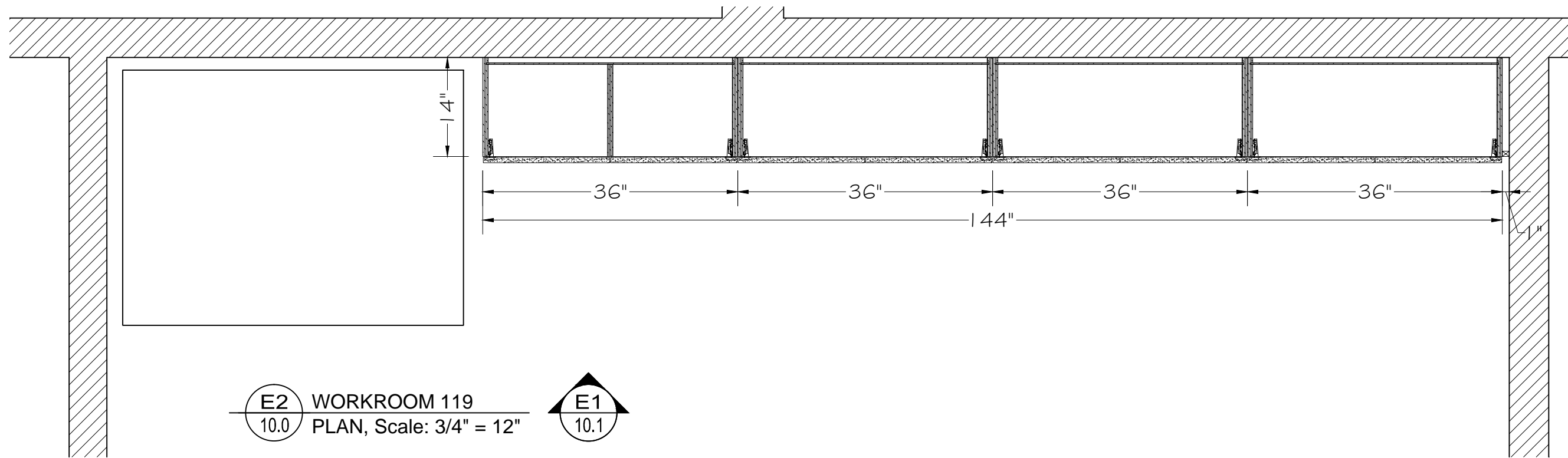
SCALE: 3/4" = 12"

DRAWING NAME :
OPEN WORKROOM 118

DRAWING #

9.2
PLAN

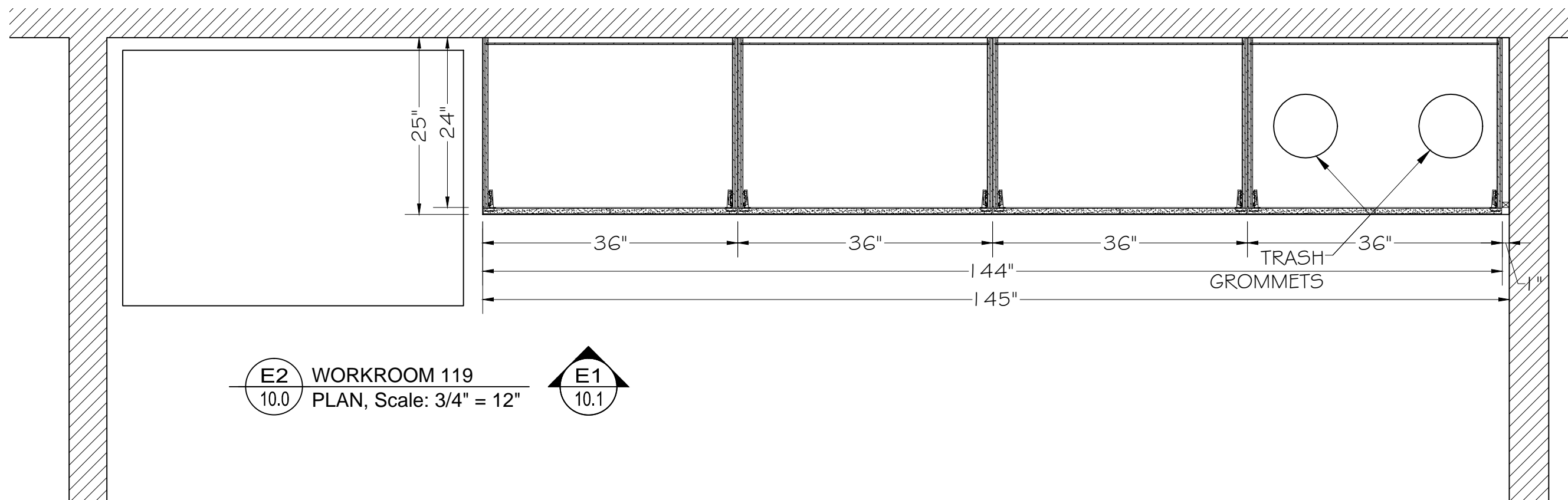
09-11172-150225.dwg



E2 WORKROOM 119
10.0 PLAN, Scale: 3/4" = 12"



GENERAL NOTE: ALL DIMENSIONS WILL BE FIELD VERIFIED PRIOR TO FABRICATION.



E2 WORKROOM 119
10.0 PLAN, Scale: 3/4" = 12"



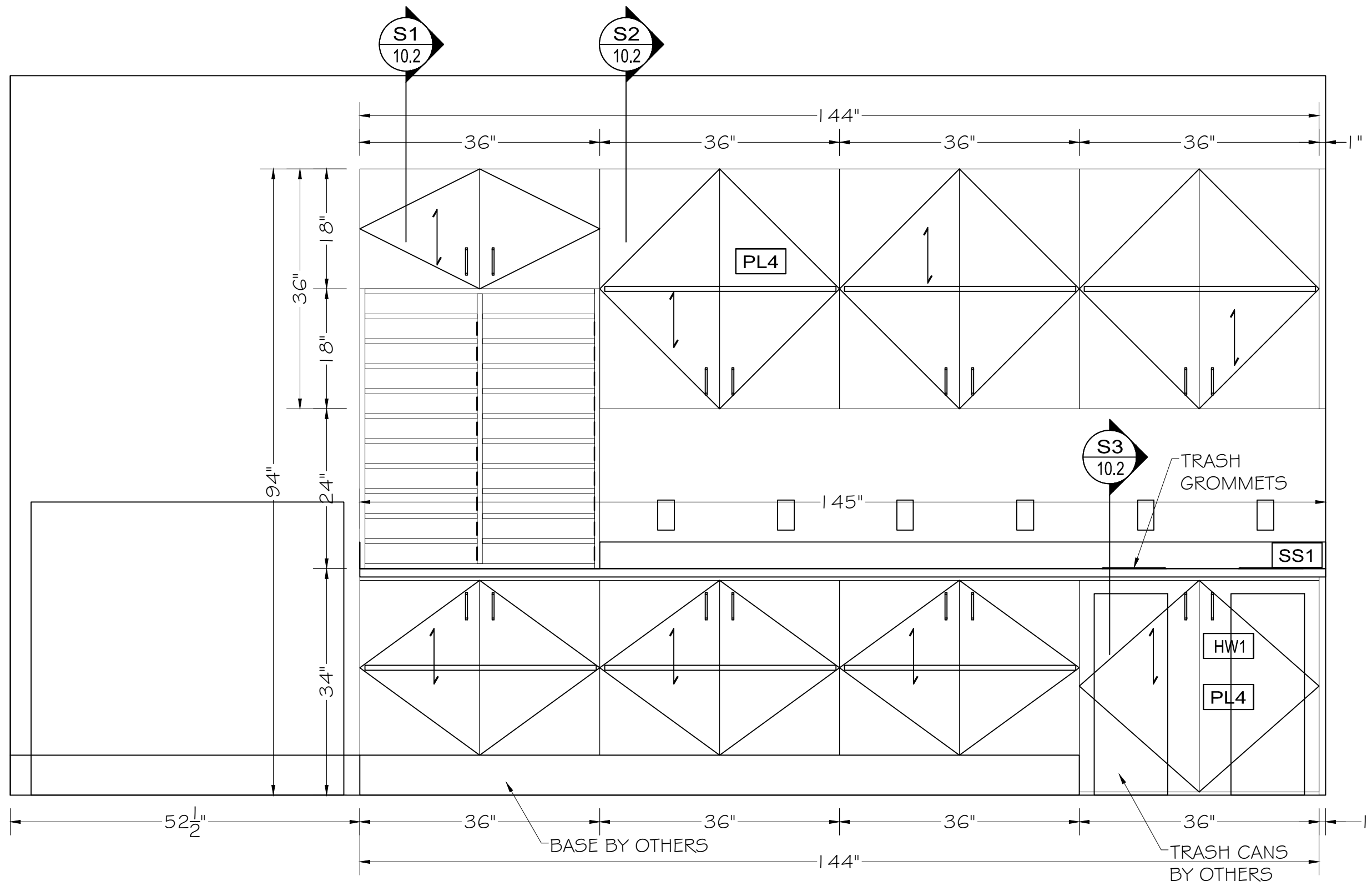
ISSUE:
 14-01-30 FOR REVIEW
 14-02-14 FOR CONSTRUCTION

DRAWN BY : ZD TJ

SCALE: 3/4" = 12"

DRAWING NAME :
 WORKROOM 119

DRAWING #
10.0
PLAN



GENERAL NOTE: ALL DIMENSIONS WILL BE FIELD VERIFIED PRIOR TO FABRICATION.

ISSUE:
 14-01-30 FOR REVIEW
 14-02-14 FOR CONSTRUCTION

DRAWN BY : ZD TJ

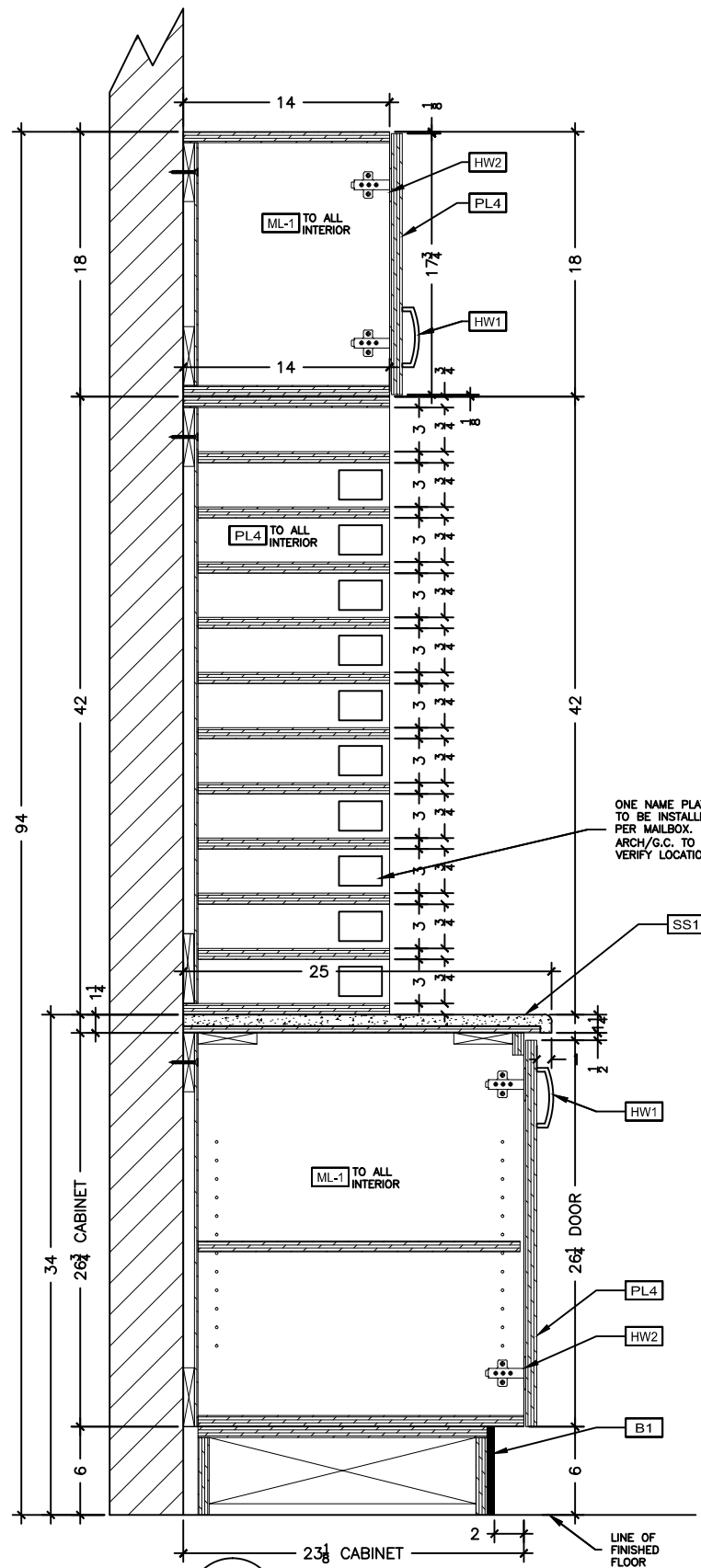
SCALE: 3/4" = 12"

DRAWING NAME :
 WORKROOM 119

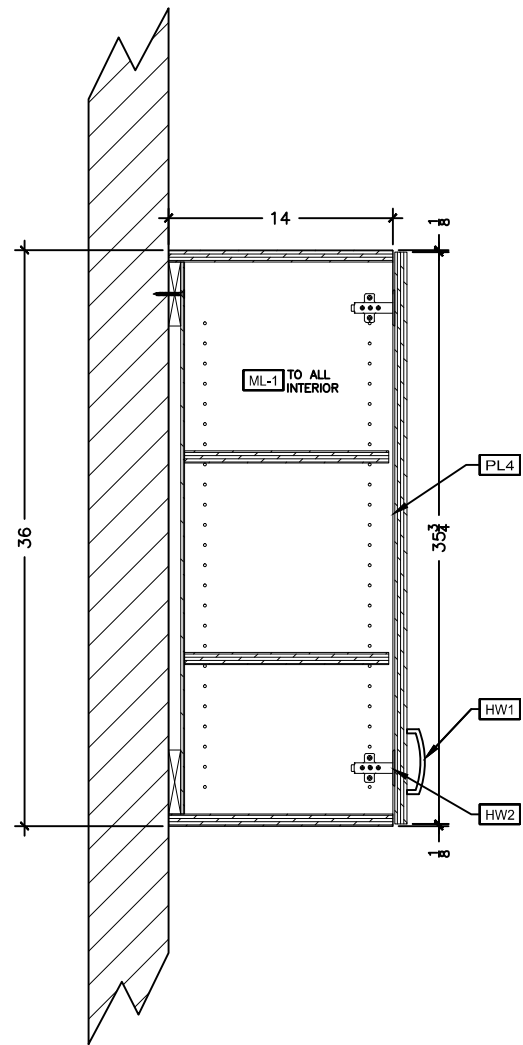
DRAWING #
10.1
PLAN

10-11172-150225.dwg

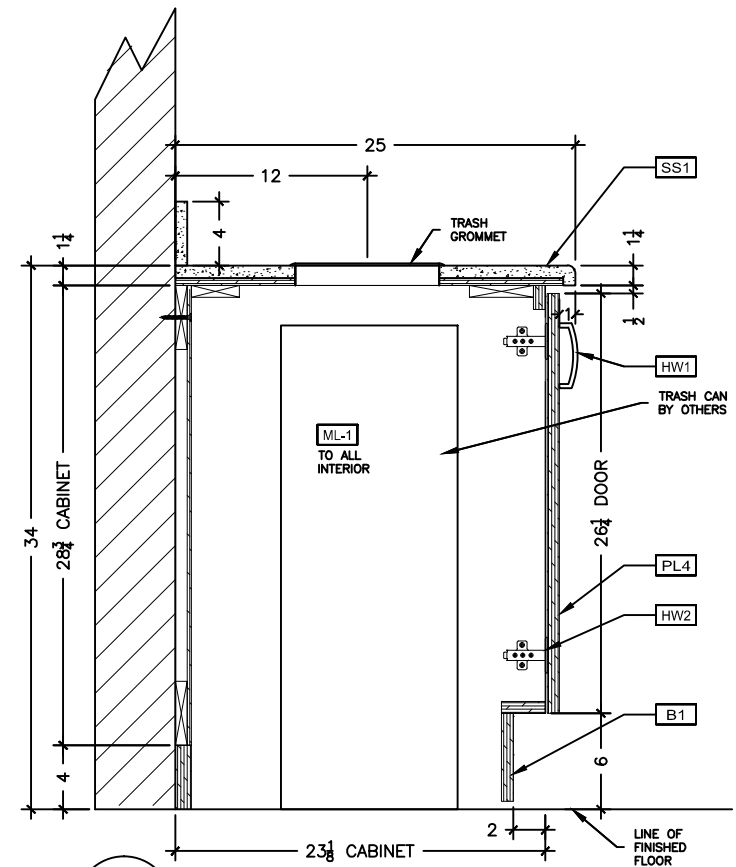
E1 WORKROOM 119
 10.1 ELEV, Scale: 3/4" = 12"



S1 WORKROOM 119
10.2 SECTION, Scale: 1" = 12"



S2 WORKROOM 119
10.2 SECTION, Scale: 1" = 12"



S3 WORKROOM 119
10.2 SECTION, Scale: 1" = 12"

GENERAL NOTE: ALL DIMENSIONS WILL BE FIELD VERIFIED PRIOR TO FABRICATION.

ISSUE:
14-01-30 FOR REVIEW
14-02-14 FOR CONSTRUCTION

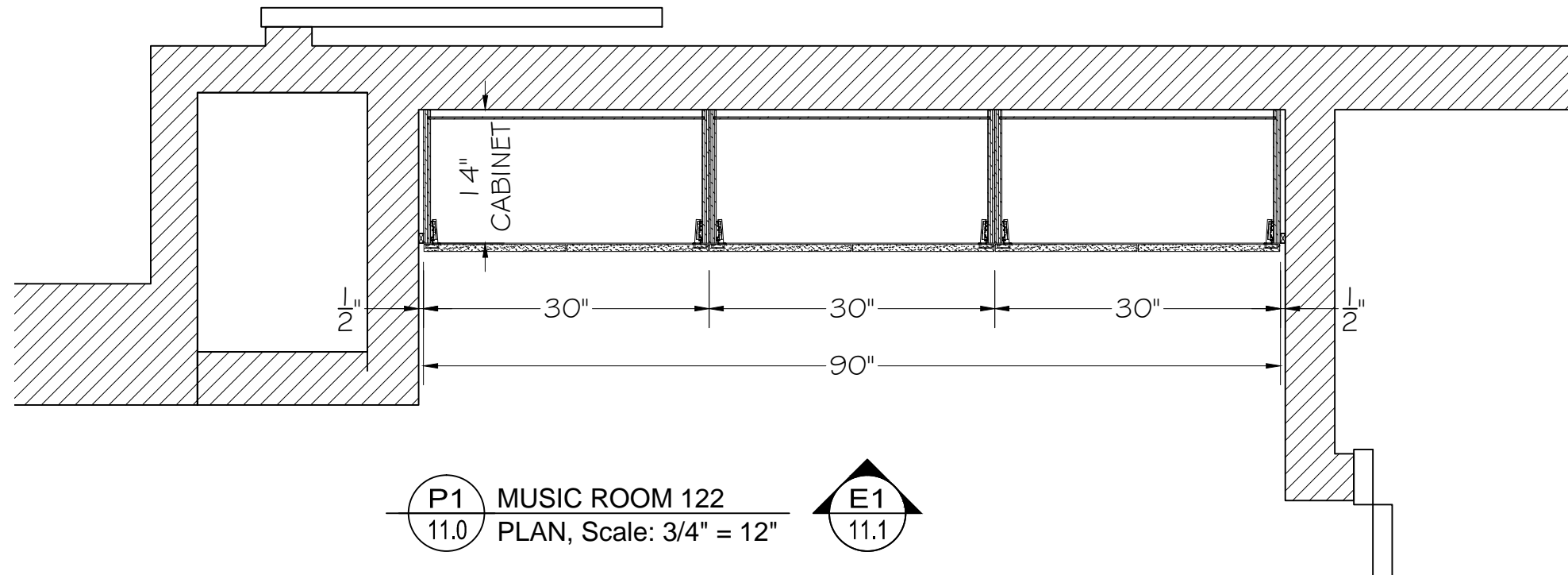
DRAWN BY : ZD TJ

SCALE: 3/4" = 12"

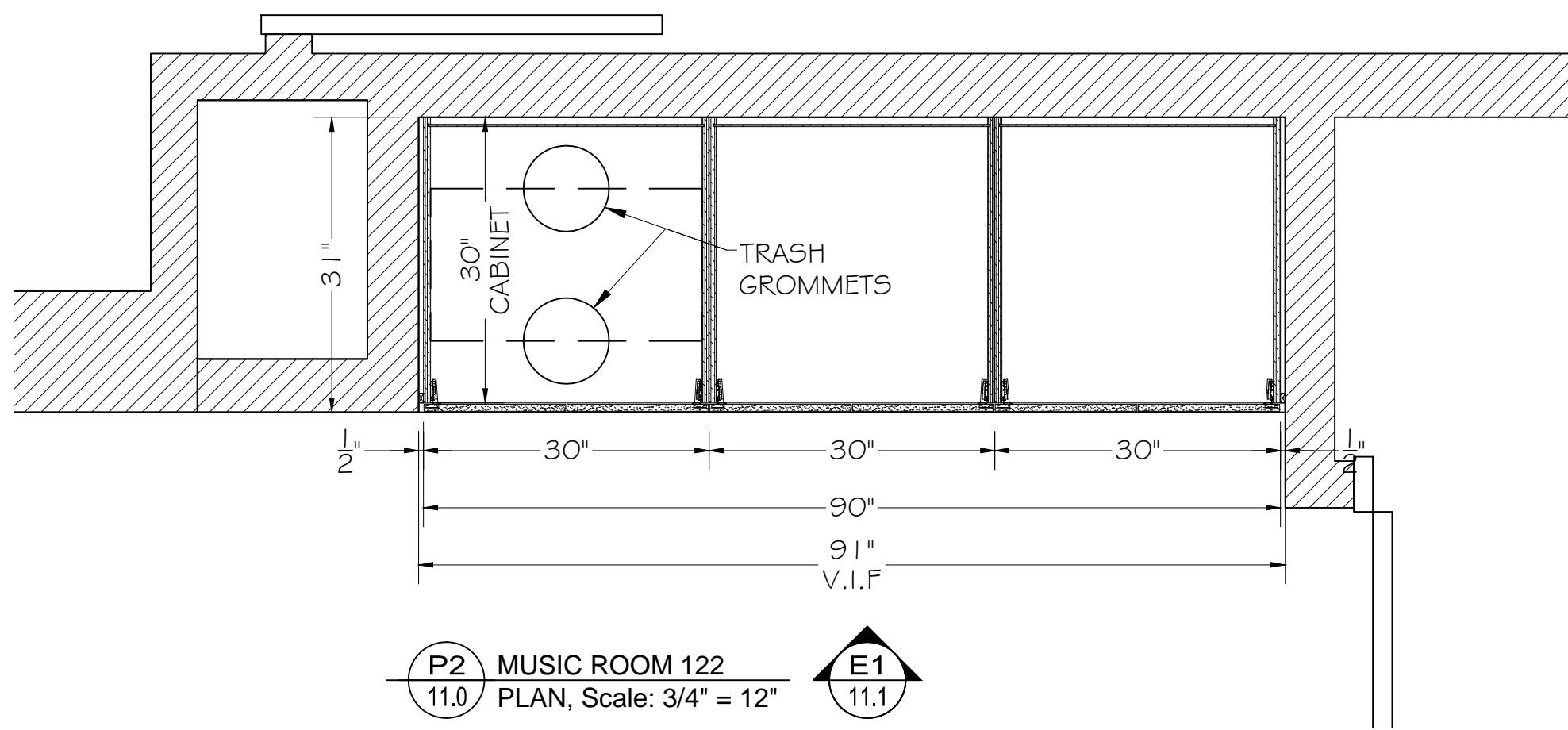
DRAWING NAME :
WORKROOM 119

DRAWING #

10.2
PLAN



P1 MUSIC ROOM 122
11.0 PLAN, Scale: 3/4" = 12" **E1**
11.1



P2 MUSIC ROOM 122
11.0 PLAN, Scale: 3/4" = 12" **E1**
11.1

GENERAL NOTE: ALL DIMENSIONS WILL BE FIELD VERIFIED PRIOR TO FABRICATION.

ISSUE:
14-01-30 FOR REVIEW
14-02-14 FOR CONSTRUCTION

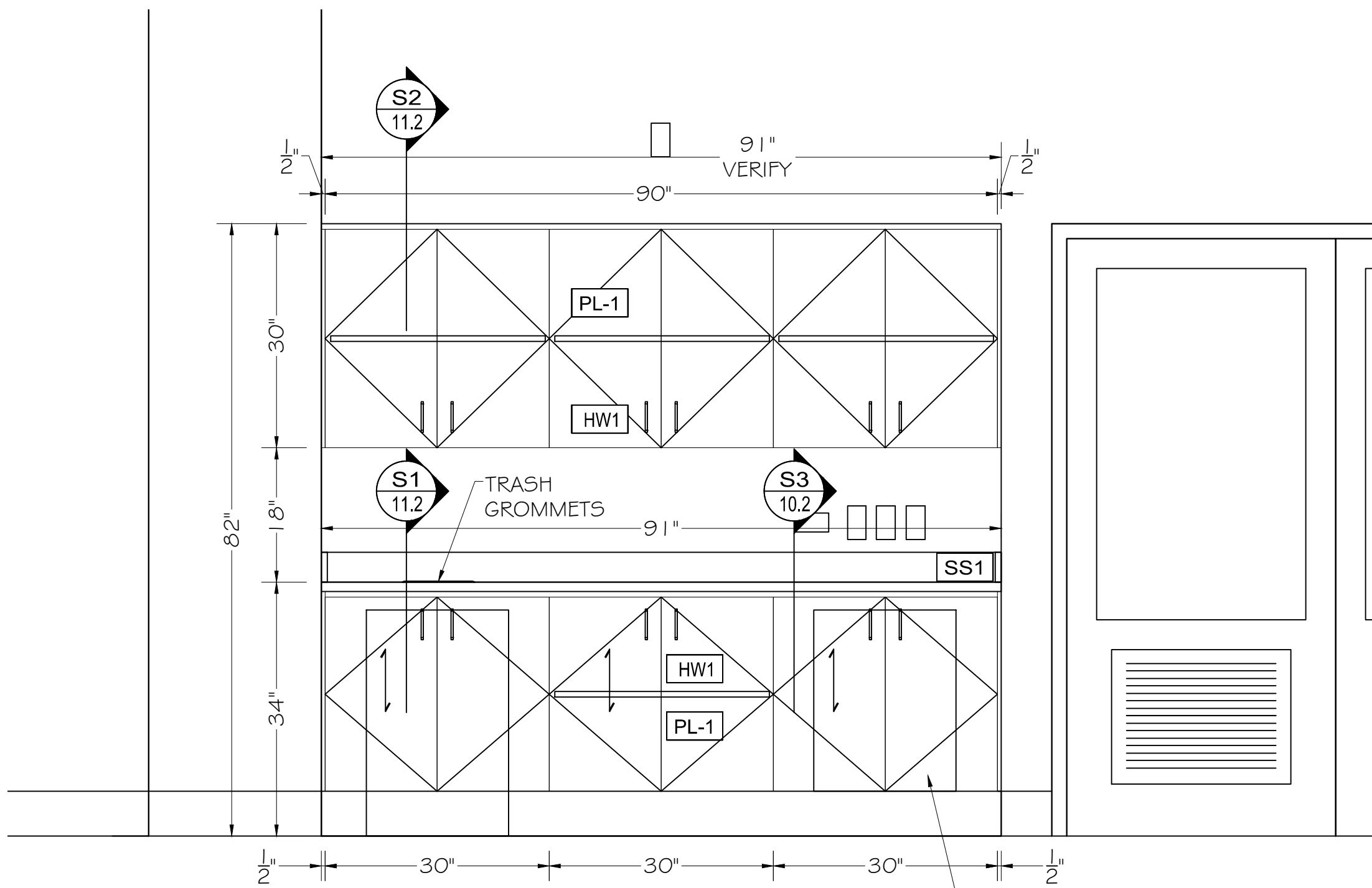
DRAWN BY : ZD TJ

SCALE: 3/4" = 12"

DRAWING NAME :
NURSE STATION
RM 1123B

DRAWING #

11.0
PLAN



E1 MUSIC ROOM 122
 11.1 ELEV, Scale: 3/4" = 12"

GENERAL NOTE: ALL DIMENSIONS WILL BE FIELD VERIFIED PRIOR TO FABRICATION.

ISSUE:
 14-01-30 FOR REVIEW
 14-02-14 FOR CONSTRUCTION

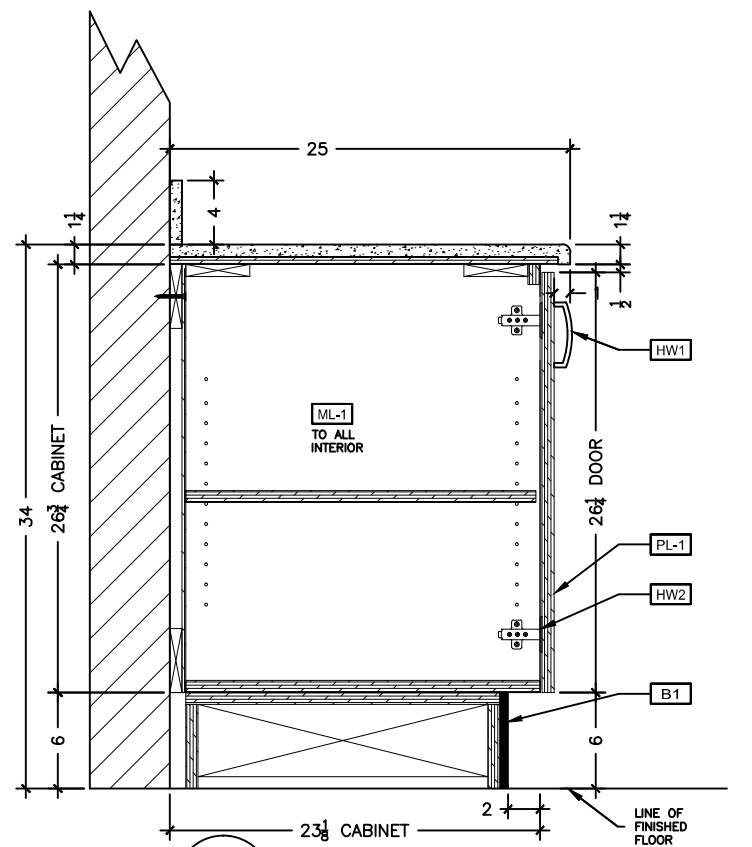
DRAWN BY : ZD TJ

SCALE: 3/4" = 12"

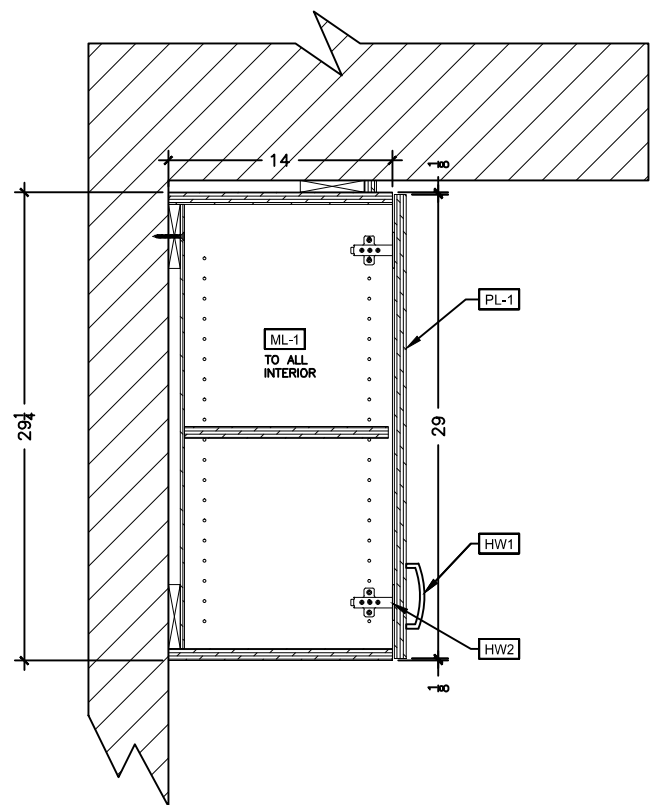
DRAWING NAME :
 NURSE STATION
 RM 1123B

DRAWING #

11.1
PLAN



S1 MUSIC ROOM 122
11.2 SECTION, Scale: 1" = 12"



S2 MUSIC ROOM 122
11.2 SECTION, Scale: 1" = 12"

GENERAL NOTE: ALL DIMENSIONS WILL BE FIELD VERIFIED PRIOR TO FABRICATION.

ISSUE:
14-01-30 FOR REVIEW
14-02-14 FOR CONSTRUCTION

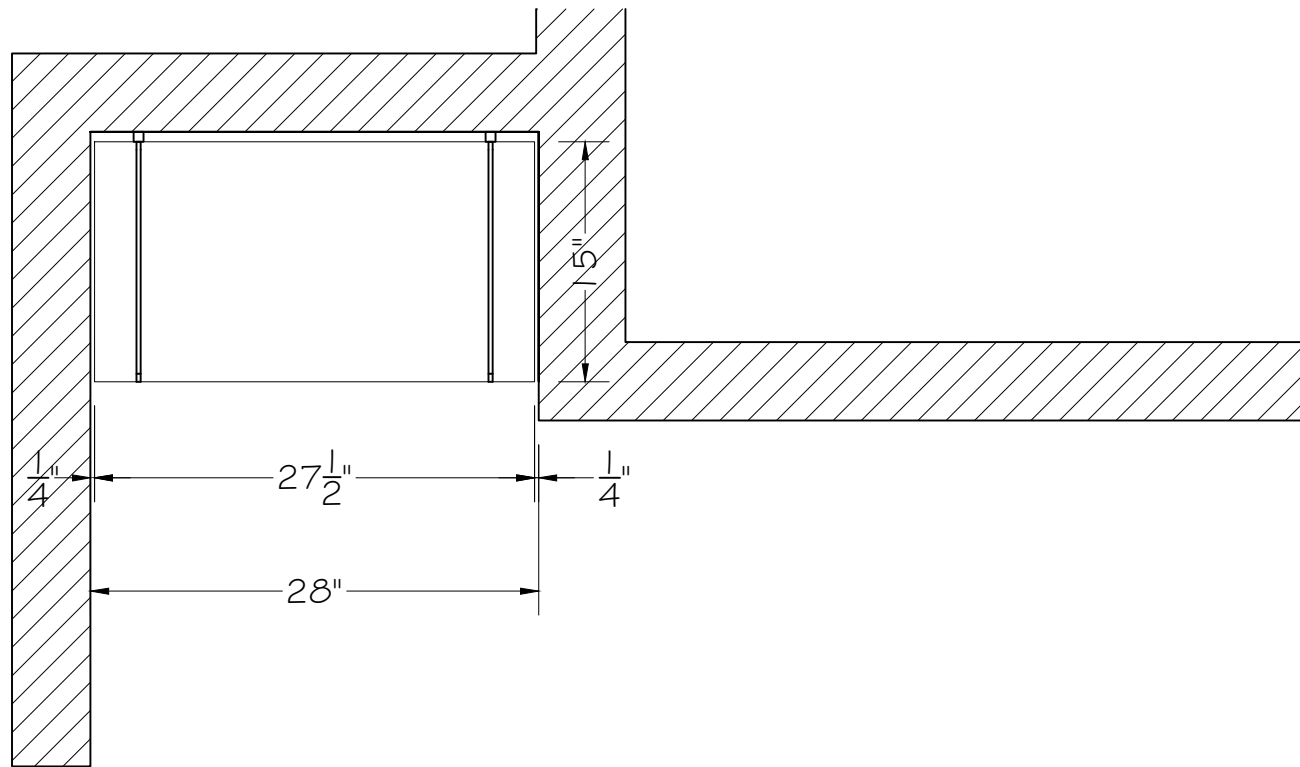
DRAWN BY : ZD TJ

SCALE: 3/4" = 12"

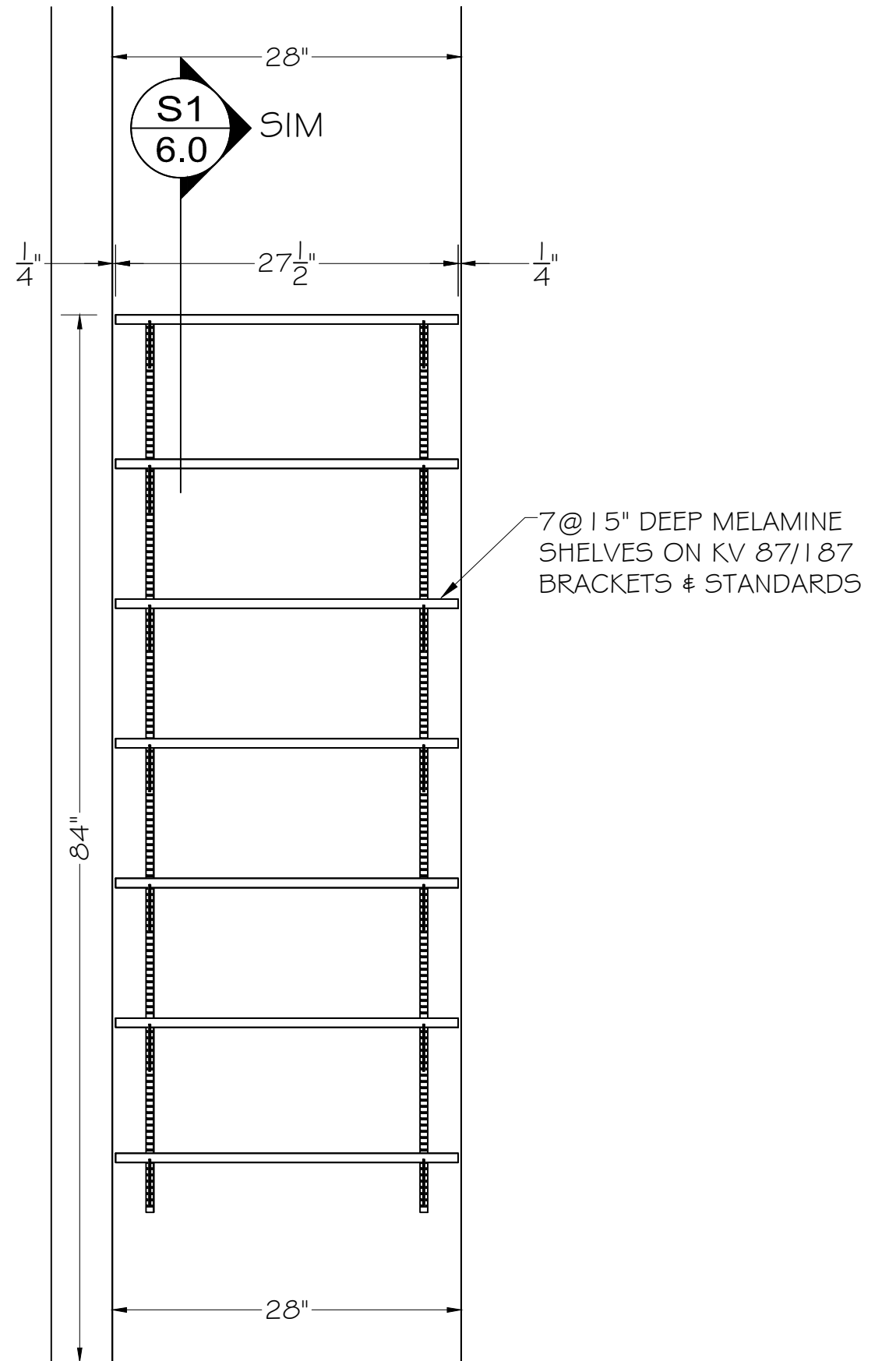
DRAWING NAME :
NURSE STATION
RM 1123B

DRAWING #

11.2
PLAN



P1 JANITOR CLOSET 125
12.0 PLAN, Scale: 1" = 12"



E1 JANITOR CLOSET 125
12.0 ELEV, Scale: 1" = 12"

GENERAL NOTE: ALL DIMENSIONS WILL BE FIELD VERIFIED PRIOR TO FABRICATION.

ISSUE:
14-01-30 FOR REVIEW
14-02-14 FOR CONSTRUCTION

DRAWN BY : ZD TJ

SCALE: 3/4" = 12"

DRAWING NAME :
JANITOR CLOSET 125

DRAWING #

12.0
PLAN

12-11172-150220.dwg